

Material:

\* Insulation:

Base: Glass filled polyester UL 94V-0

Contact: Brass

Ordering Code:

CA35 \*\* V 1 1 00 - NH  
 ① ② ③ ④ ⑤ ⑥ ⑦

① Series No.:

② No. of Circuits: 04 to 26

③ Contacts Type: V= Straight Type

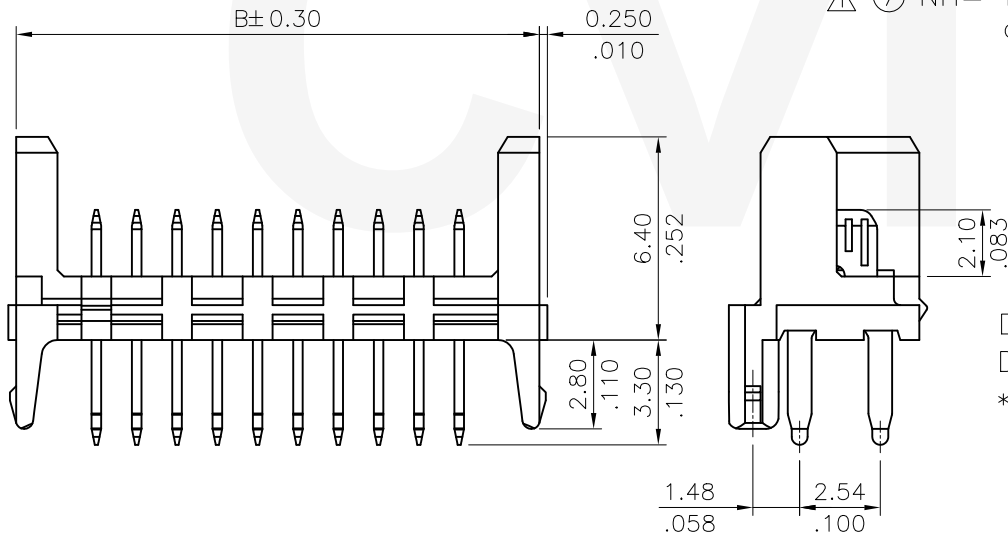
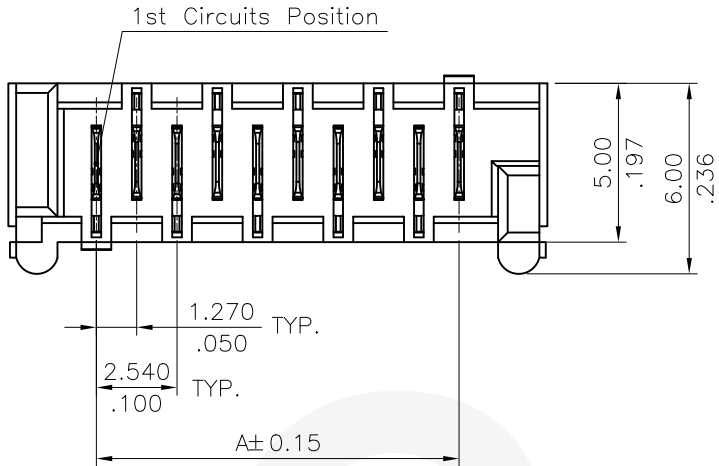
④ Plating option:

1= Matte Tin over Nickel plated

⑤ Color: 1= Black

⑥ Option: 00= Standard

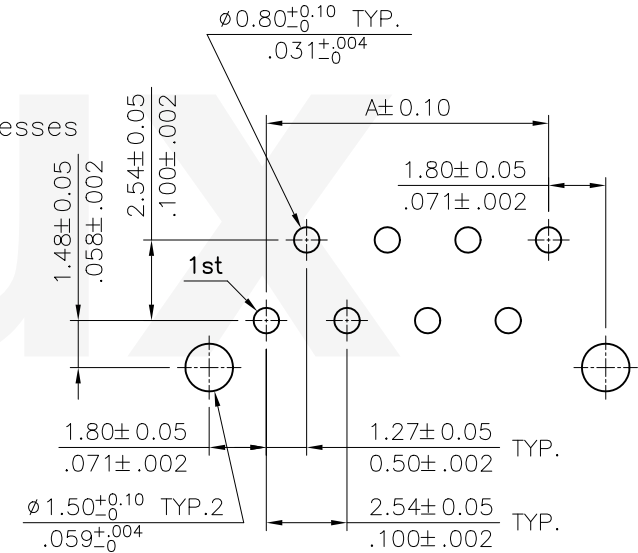
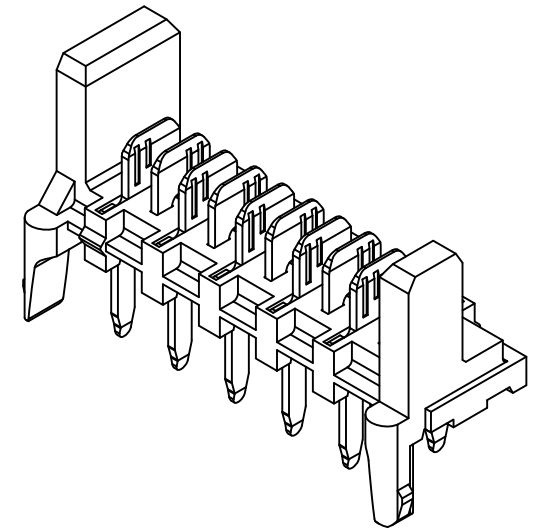
⚠ ⑦ NH= For Lead Free Wave flow Processes and Halogen-Free



DIM.A= 1.27 x No. of Spaces

DIM.B= DIM.A + 5.05

\*Available in 4 ~ 26 Circuits




Recommended P.C. Board Layout

Halogen-Free

Lead Free Process

RoHS compliant



|     |      |          |            |                     |          |   |  |  |
|-----|------|----------|------------|---------------------|----------|---|--|--|
| ④   |      |          |            |                     | DATE     | UNIT: mm / inch                         | TITLE: 1.27mm Pitch<br>DIP V Type Connector  |  瀚荃股份有限公司<br>CviLux Corporation |
| ③   |      |          |            | DRAWN BY: Sun       | 1/04-18' | TOLERANCE<br>UNLESS OTHERWISE SPECIFIED | MATERIAL:                                    |  |
| ②   |      |          |            | ENGINEER: Sun       | 1/04-18' | .X ± 0.30/012 X: ± 1'                   | FINISH:                                      |  |
| ①   | Sun  | 1/04-18' | ECNT118002 | CHECKED BY: Eisley  | 1/05-18' | .XX ± 0.20/008 .X: ±                    | DRAWING NO. CA3502SB PART NO. CA35**V1100-NH |  |
| SYM | NAME | DATE     | REVISIONS  | APPROVED BY: Eisley | 1/05-18' | .XXX ± 0.10/004 .XX ±                   | SCALE 4 / 1                                  | SHEET 1 OF 1   |