

Features

- Output Voltage Range: 1.2V to 37V
- Output Current In Excess of 1.5A
- Epoxy Meets UL 94 V-0 Flammability Rating
- Moisture Sensitivity Level 1
- Halogen Free Available Upon Request By Adding Suffix "-HF"
- Lead Free Finish/RoHS Compliant ("P" Suffix designates RoHS Compliant. See ordering information)

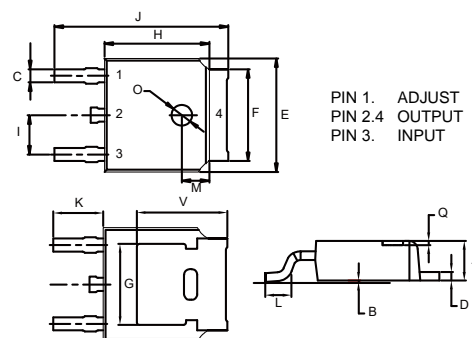
Maximum Ratings

Parameter	Symbol	Value	Unit
Input –Output Voltage Differential	$V_I - V_O$	40	V
Power Dissipation	P_D	Internally Limited	W
Operating Junction Temperature Range	T_{OPR}	0~125	°C
Storage Temperature Range	T_{STG}	-65~125	°C
Temperature Coefficient of Output Voltage	$\Delta V_o/\Delta T$	±0.02	%/°C

Marking Code:LM317

Adjustable Voltage Regulators

DPAK(TO-252)



DIMENSIONS

DIM	INCHES		MM		NOTE
	MIN	MAX	MIN	MAX	
A	0.087	0.094	2.20	2.40	
B	0.000	0.005	0.00	0.13	
C	0.026	0.034	0.66	0.86	
D	0.018	0.023	0.46	0.58	
E	0.256	0.264	6.50	6.70	
F	0.201	0.215	5.10	5.46	
G	0.190		4.83		TYP.
H	0.236	0.244	6.00	6.20	
I	0.086	0.094	2.18	2.39	
J	0.386	0.409	9.80	10.40	
K	0.114		2.90		TYP.
L	0.055	0.067	1.40	1.70	
M	0.063		1.60		TYP.
O	0.043	0.051	1.10	1.30	
Q	0.000	0.012	0.00	0.30	
V	0.211		5.35		TYP.

Electrical Characteristics @ 25°C ($V_i - V_o = 5V$, $I_o = 500mA$, $I_{MAX} = 1.5A$, $P_{MAX} = 20W$ Unless Otherwise Specified)

Parameter	Symbol	Test Conditions	Min	Typ	Max	Unit
Reference Input Voltage	V_{ref}	$3V \leq V_i - V_o \leq 40V$, $10mA \leq I_o \leq I_{max}$	1.20	1.25	1.30	V
Load Regulation	Rload	$10mA \leq I_o \leq I_{max}$, $V_o < 5v$	-	18	25	mV%V
		$V_o \geq 5v$	-	0.4	0.5	mV%V
		$10mA \leq I_o \leq I_{max}$, $V_o < 5v$	-	40	70	mV%V
		$V_o \geq 5v$	-	0.8	1.5	mV%V
Load Regulation	Rline	$3V \leq V_i - V_o \leq 40V$	-	0.01	0.04	%/V
		$3V \leq V_i - V_o \leq 40V$	-	0.02	0.07	%/V
Adjustment Pin Current	I_Q		-	46	100	μA
Adjustment Pin Current Charge	$I_{q(V)}$	$V_i - V_o = 3V$ to $40V$, $I_o = 10mA$ to I_{max}	-	2	5	μA
Minimum Load Current to Main Regulation	II	$V_i - V_o = 40V$	-	3.5	12	mA
Ripple Rejection	RR	$V_o = 10V$ $F = 120Hz$, $C_{ADJ} = 10\mu F$	66	60	-	dB
				75		
Temperature Stability	ST_T		-	$0.7\%/V_o$	-	
RMS Noise, % of V_{OUT}	eN	10Hz-10kHz	-	$0.003\%/V_o$	$0.01\%/V_o$	
Longterm, $T_J = T_{HIGH}$	ST	$T_a = 25^\circ C$ for end point measurements, 1000HR	-	0.3%	1%	
Thermal Resistance Junction to Case	R_{JC}	-	-	5	-	$^\circ C/W$

Curve Characteristics

Figure 1. Load Regulation

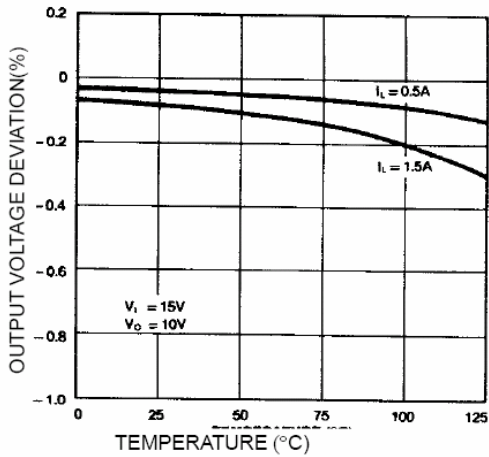


Figure 2. Adjustment Current

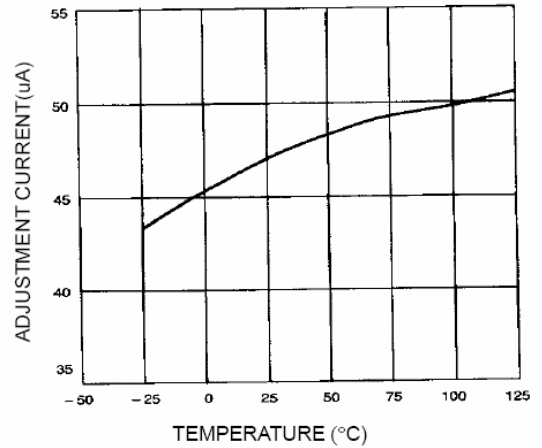


Figure 3. Dropout Voltage

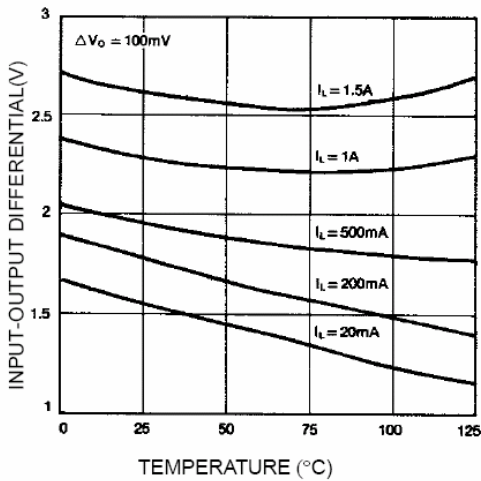
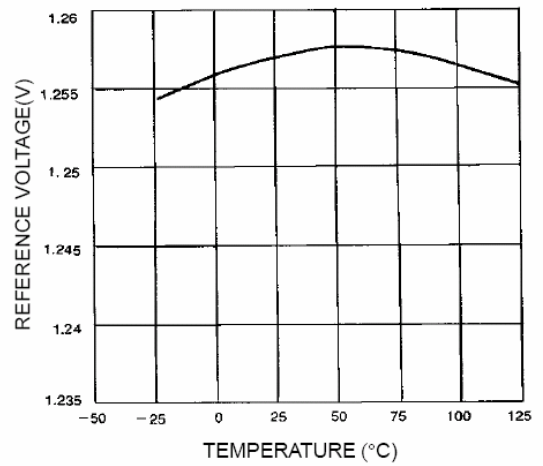


Figure 4. Reference Voltage



Ordering Information

Device	Packing
Part Number-TP	Tape&Reel:2.5Kpcs/Reel

Note : Adding "-HF" Suffix For Halogen Free, eg. Part Number-TP-HF

IMPORTANT NOTICE

Micro Commercial Components Corp. reserves the right to make changes without further notice to any product herein to make corrections, modifications , enhancements , improvements , or other changes . **Micro Commercial Components Corp** . does not assume any liability arising out of the application or use of any product described herein; neither does it convey any license under its patent rights ,nor the rights of others . The user of products in such applications shall assume all risks of such use and will agree to hold **Micro Commercial Components Corp** . and all the companies whose products are represented on our website, harmless against all damages.

LIFE SUPPORT

MCC's products are not authorized for use as critical components in life support devices or systems without the express written approval of Micro Commercial Components Corporation.

CUSTOMER AWARENESS

Counterfeiting of semiconductor parts is a growing problem in the industry. Micro Commercial Components (MCC) is taking strong measures to protect ourselves and our customers from the proliferation of counterfeit parts. MCC strongly encourages customers to purchase MCC parts either directly from MCC or from Authorized MCC Distributors who are listed by country on our web page cited below. Products customers buy either from MCC directly or from Authorized MCC Distributors are genuine parts, have full traceability, meet MCC's quality standards for handling and storage. **MCC will not provide any warranty coverage or other assistance for parts bought from Unauthorized Sources.** MCC is committed to combat this global problem and encourage our customers to do their part in stopping this practice by buying direct or from authorized distributors.