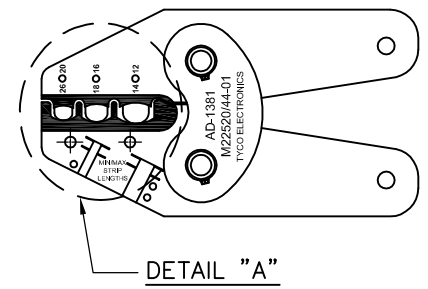
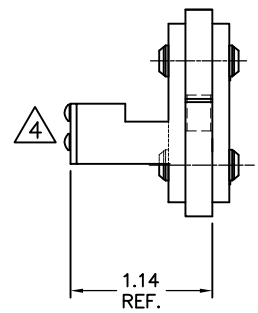
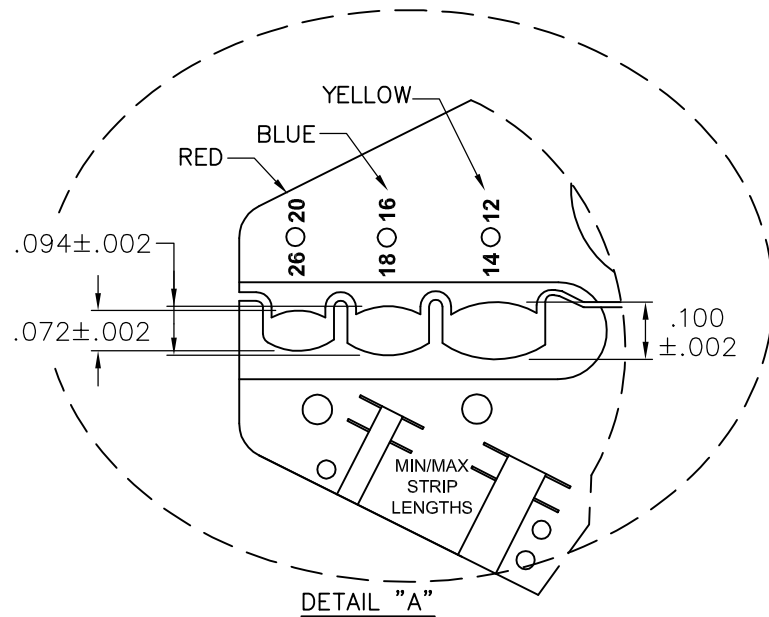
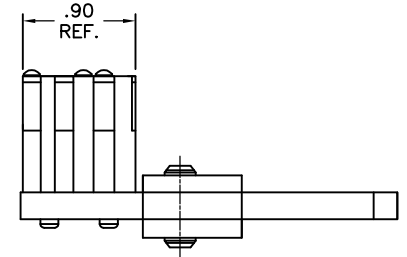
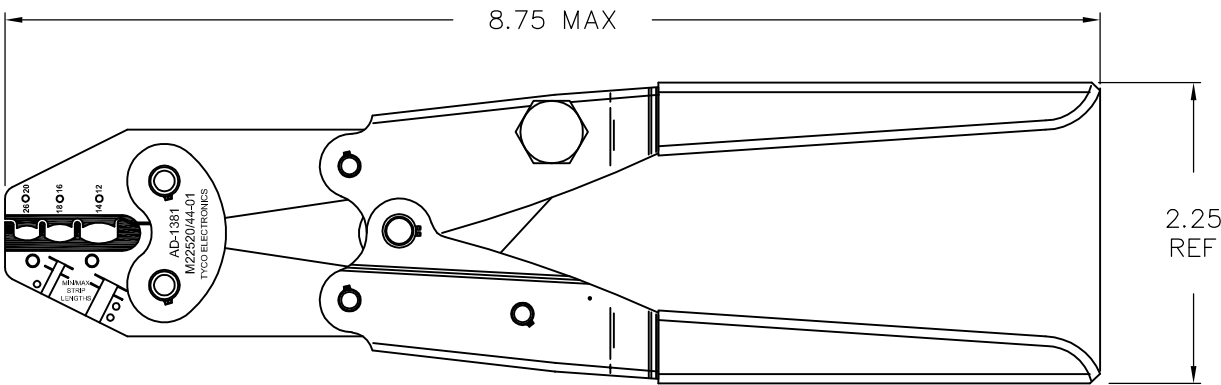


REVISIONS		
LTR	DESCRIPTION	DATE
B1	REVISED PER ECO-13-019946	12/17/2013



If this document is printed it becomes uncontrolled. Check for the latest revision

**NOTES:**

1. ALL DIMENSIONS ARE IN INCHES UNLESS OTHERWISE SPECIFIED.
2. HANDLE GRIP COLOR: BLUE
3. COLOR DOTS TO IDENTIFY WIRE GAUGE
4. LOCATOR EXTENDS TO .122 INCH MAXIMUM.

Raychem Application Equipment  
**CUSTOMER DRAWING**



UNLESS OTHERWISE SPECIFIED DIMENSIONS ARE INCHES. METRIC DIMENSIONS ARE IN BRACKETS. DECIMAL TOLERANCES .XXX ± 0.005 [0.13 mm] .XX ± 0.01 [0.25 mm] .X ± 0.1 [0.50 mm] ANGLE TOLERANCE ANGLE ± 1 DEG.	DRAWN UNGUYEN	TITLE AD-1381 CRIMPING TOOL
	RPN: CS1660-000	
DIMENSIONING AND TOLERANCING PER ASME Y14.5-2009 THIRD ANGLE PROJECTION	THIRD ANGLE PROJECTION	CODE IDENT. NO. 06090
TYCO ELECTRONICS RESERVES THE RIGHT TO AMEND THIS DRAWING AT ANY TIME. USERS SHOULD EVALUATE THE SUITABILITY OF THE PRODUCT FOR THEIR APPLICATION. © 2013 Tyco Electronics Corporation. All rights reserved.		DWG. NO. AD-1381-1