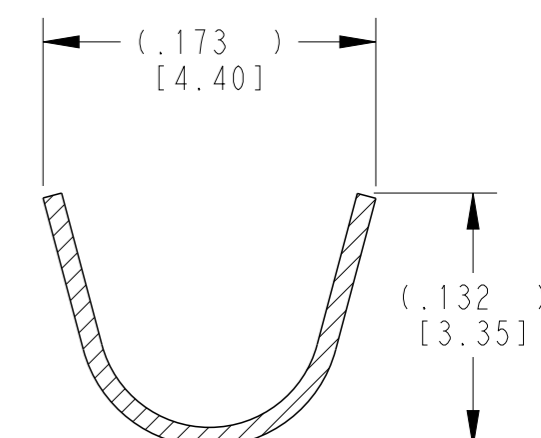
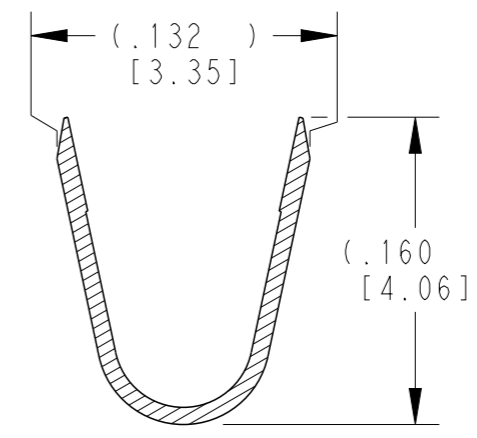
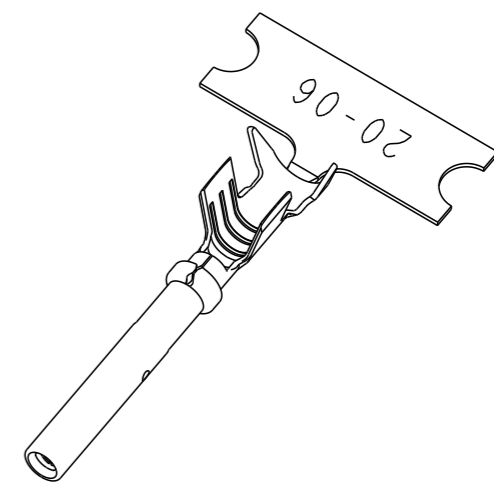
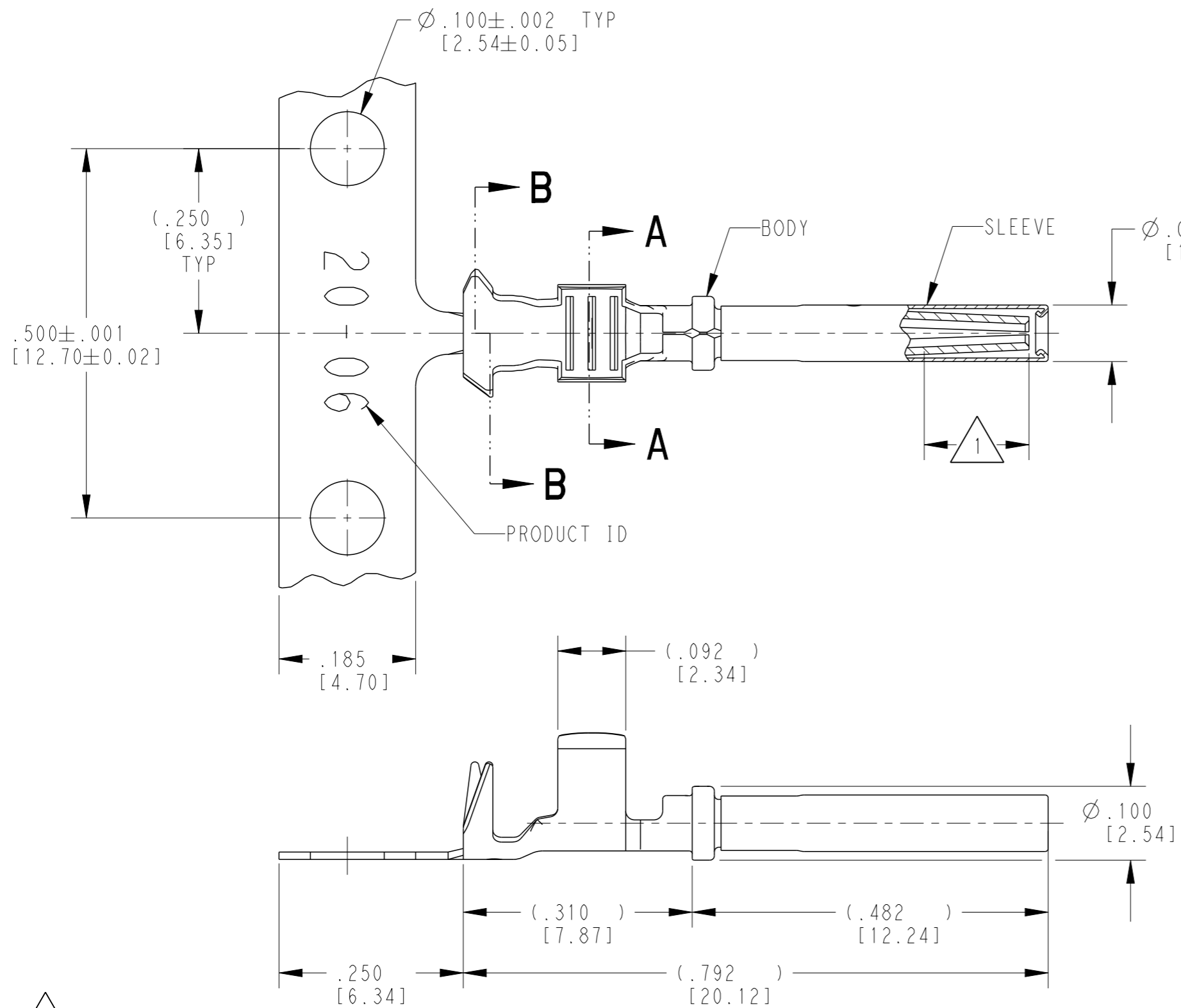


REVISIONS					
P	LTR	DESCRIPTION	DATE	DWN	APVD
C		REVISED PER E.O. P20392	03DEC2009		RDR
D		REVISED PER PCN :E-18-007949	23MAY2018	DD	DM



SECTION A-A
WIRE BARREL

SECTION B-B
INSULATION BARREL

- 3 MATERIAL:
BODY: .010 [0.25] THICK COPPER ALLOY
SLEEVE: STAINLESS STEEL
- 2. WIRE RANGE: 16 AWG TO 14 AWG [1.0-2.5 mm²]
INSULATION RANGE: ϕ .075-.125 [ϕ 1.91-3.18]
- 1 APPLIES ONLY TO SELECTIVE GOLD 1062-20-0644.
INDICATED DIMENSION SHOWS GOLD PLATED AREA.

NOTES: UNLESS OTHERWISE SPECIFIED

THIS DRAWING IS A CONTROLLED DOCUMENT.	
DIMENSIONS: INCHES [mm]	TOLERANCES UNLESS OTHERWISE SPECIFIED:
	0 PLC ±
	1 PLC ±
	2 PLC ±
	3 PLC ±.025 [0.64]
	4 PLC ±
	ANGLES ±
MATERIAL	FINISH
3	SEE TABLE

DWN	J. APOSTOL	30MAY2007
CHK	D. MEYER	02DEC2009
APVD	R. REED	03DEC2009
PRODUCT SPEC	0425-015-0000	
APPLICATION SPEC	114-151003	
WEIGHT	0.22 g	
CUSTOMER DRAWING		

TE INTERNAL PN	DEUTSCH PN	PLATING
1062-20-0622	1062-20-0622	NICKEL
1062-20-0644	1062-20-0644	SELECTIVE GOLD
1062-20-0677	1062-20-0677	TIN



NAME STAMPED CONTACT SOCKET SIZE 20			
SIZE	CAGE CODE	DRAWING NO	RESTRICTED TO
A3	4AFU8	1062-20-06XX	-
SCALE 6:1		SHEET 1 OF 1	REV D