

Product / Process Change Notification (PCN)

- Major change
 Minor change

PCN #: PCN_AsBCPH_20210701

Affected Series: WA-BCPH, 79528211

PCN Date: May 31, 2021

Effective Date: July 01, 2021

Change Category:

- Equipment / Location
 General Data
 Material
 Process
 Product Design
 Shipping / Packaging
 Supplier
 Software

Contact: Product Management

Phone: +49 (0) 7942 - 945 5001

Fax: +49 (0) 7942 - 945 5179

E-Mail: pcn.eican@we-online.com

Data Sheet Change:

Yes No

Attachment:

Yes No

DESCRIPTION AND PURPOSE OF CHANGE:

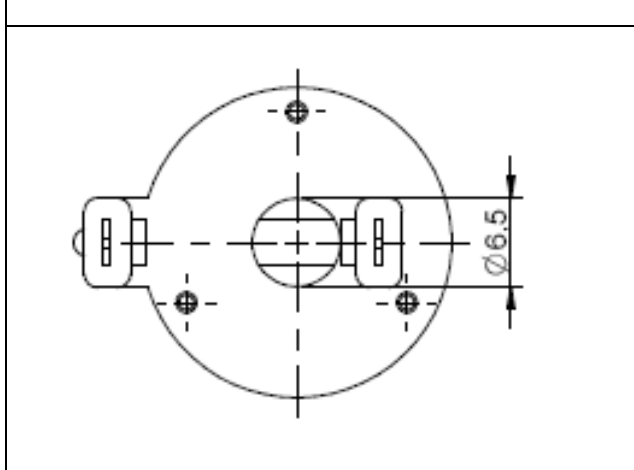
As a datasheet information amendment and correction, Würth Elektronik will add additional parameter and correct the hole pattern.

This is a datasheet correction only. There will be no change in form, fit, function, quality or reliability of the product.

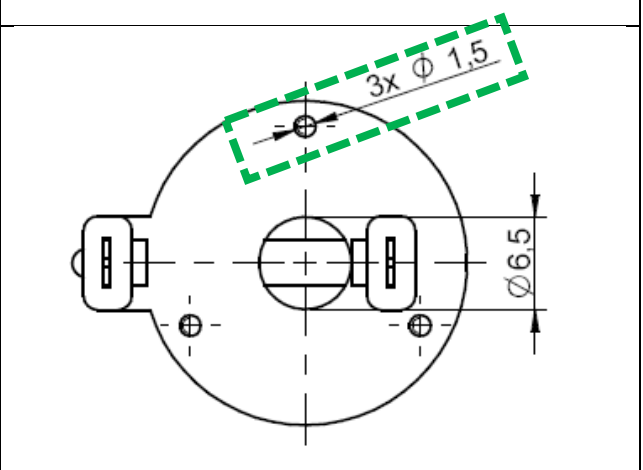
DETAIL OF CHANGE:

Corrected dimensions and tolerances are marked with a red box before and green box after change. Added dimensions are marked with a dotted green box.

BEFORE CHANGE



AFTER CHANGE



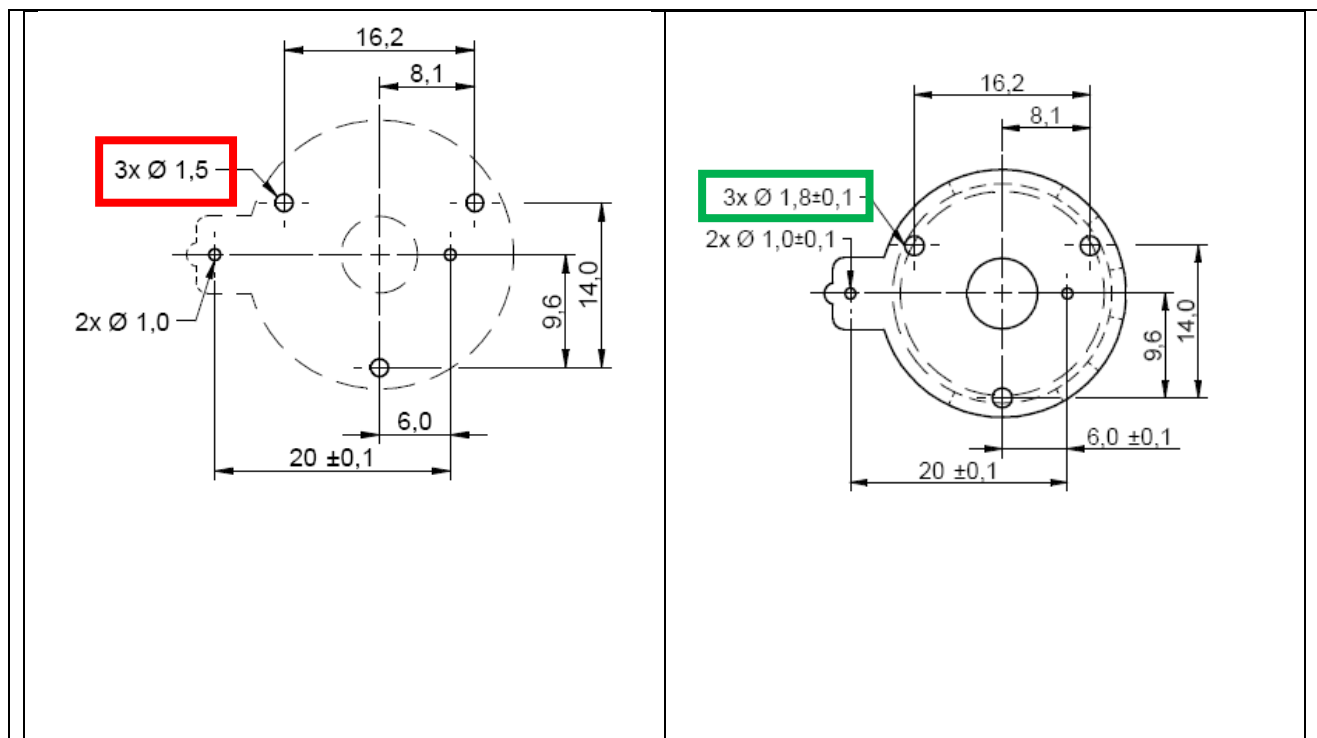
Würth Elektronik eiSos GmbH & Co. KG

EMC & Inductive Solutions

Max-Eyth-Straße 1 · 74638 Waldenburg · Germany

Tel. +49 (0) 79 42 945-0 · Fax +49 (0) 79 42 945-400

eiSos@we-online.de · www.we-online.de



RELIABILITY / QUALIFICATION SUMMARY:

There will be no change of the product, therefore no additional reliability or qualification testing will be performed.