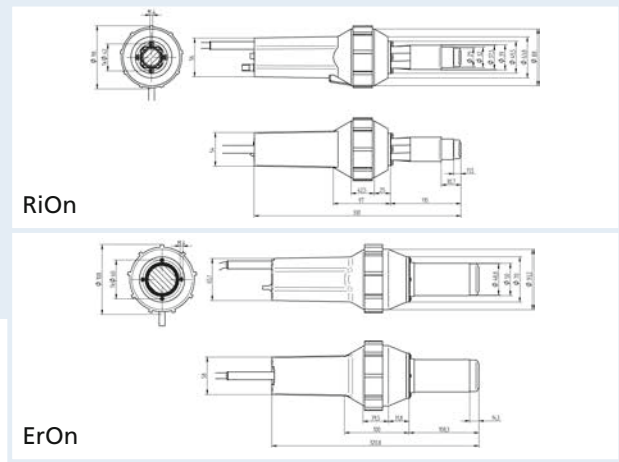


RION BL, ERON BL



Technical data		RiOn BL	ErOn BL
Order no.		6600185	6600189
Voltage	V	230	230
Capacity	W	1600	3400
Frequency	Hz	50/60	50/60
Temperature	°F	68 – 1202	68 – 1202
Air flow	l/min	approx. 250	approx. 600
Static pressure	Pa	approx. 3000	approx. 3000
Emission	dB	64	64
Measurements	mm	100 x 340, handle Ø 56	320 x 94, handle Ø 64
Weight incl. cable	lbs	2.87	3.31
Conformity marking	CE		

Because of the self-developed brushless motor these tools are completely maintenance free and suitable for continuous operation. Therefore they are the perfect tools to build in machines.

Standard equipment

- Variable temperature setting
- Integrated tool protection

Special version

- External controller for heat (analog or digital)
- External controller for air flow (analog or digital)
- Analysis of motor speed
- Integrated thermocouple
- Integrated digital controller

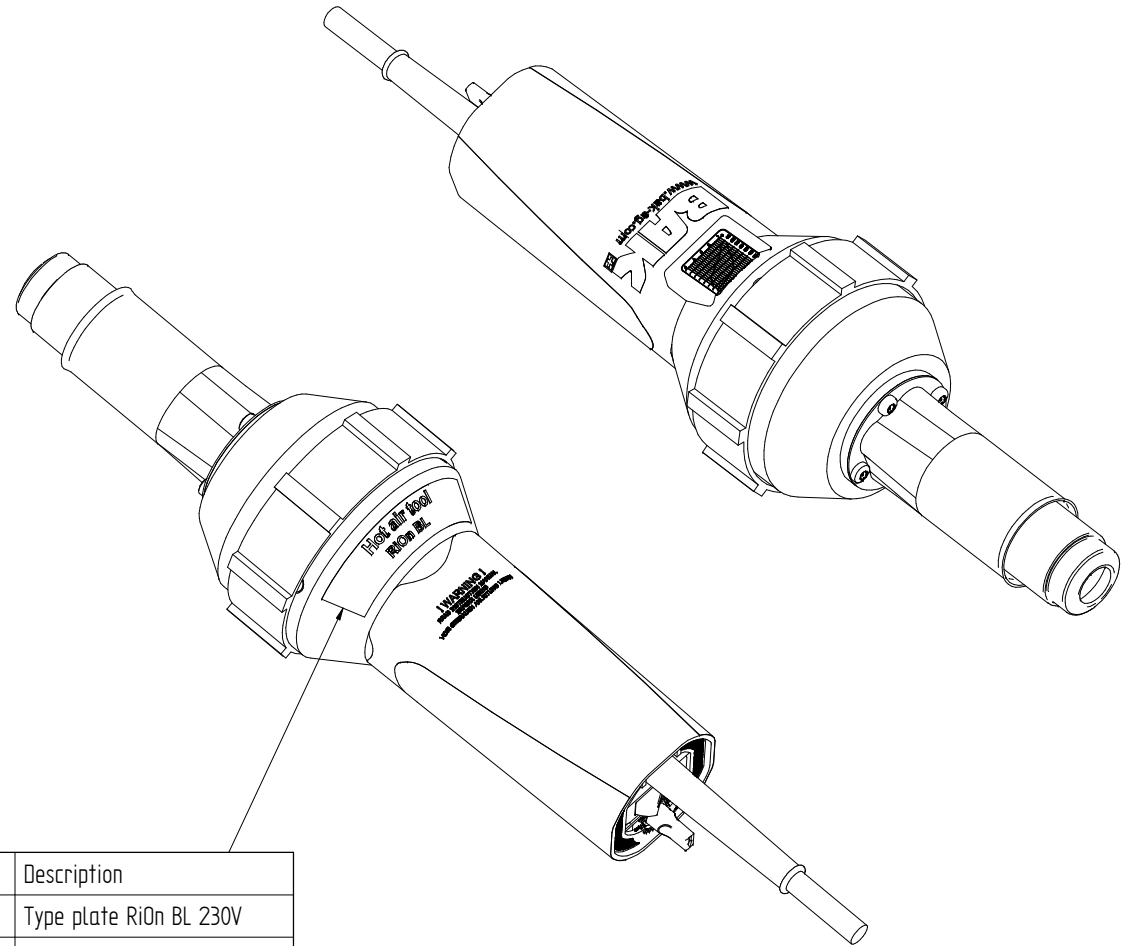
Accessories RiOn BL	
Order no.	Description
5100303	Tubular nozzle (Ø 32mm) Ø 5 mm
5107123	Wide slot nozzle (Ø 32mm) 20 mm
5107132	Wide slot nozzle (Ø 32mm) 40 mm
5107124	Angled nozzle (Ø 32mm) 20mm, 90°
5107125	Angled nozzle (Ø 32mm) 20mm, 60°

Accessories ErOn BL	
Order no.	Description
5107254	Connection flange Ø 50 mm
5107258	Wide slot nozzle (Ø 50mm) 70 x 10 mm
5107270	Wide slot nozzle (Ø 50mm) 150 x 12 mm
5107256	Angled nozzle (Ø 50mm) 160 x 100 mm


Special accessories and external control are available on request.

Equipment with different voltage and wattage are available on request.

Part no.	Description	Qty
6100263	Potentiometer knob red	1
6100268	Strain relief	1
6100287	Hexagon nut M5	1
6100295	Rubber ring	1
6100297	Mica tube	1
6100305	Turbine	2
6100435	Torsional protection washer M4	2
6100436	Flat head screw M4x6 slotted	2
6101243	Fillister head screw M4x8 torx	6
6103224	Gasket 30x50x4	1
6106186	Rocker switch black	1
6113695	Temperature limit switch 135°C	1
6600615	Phototransistor complete	1
6601015	Countersunk screw M4x8 torx	6
6601028	Air filter	1
6601030	Potentiometer 10K with nut	1
6601057	Sticker; scale	1
6601058	Cooling angle	1
6601059	Connecting head complete	1
6601063	Turbine housing complete	1
6601064	Stripper complete	1
6601065	PT screw K30x6 torx	1
6601076	Handle without window	1
6603073	Countersunk screw M4x10 torx	3
6662648	Lock washer M5	1
6662672	Filterprint	1
6662687	Connecting piece complete	1



Part no.	Description
6662651	Type plate RiOn BL 230V
6662654	Type plate RiOn BL 120V
6662667	Type plate RiOn BL 200V
6662725	Type plate RiOn BL 100V

 www.bak-ag.com	NAME	L. DÖNNI	DATE	25.06.2021
	TITLE	RION BL		
	DWG NO	4600185		
	GENERAL TOLERANCES ACCORDING TO	ISO 2768 - mK		MATERIAL
REFER TO PROTECTION NOTICE	ISO 16016		SCALE:	1:2
	WEIGHT:	0.000 kg		SHEET 1 OF 3

Part no.	Description
6100618	Power supply cord 2x1mm ² x 3m, schuko-plug
6100020	Power supply cord 2x1mm ² x 3m, CH-plug
6100656	Power supply cord 2x14AWG x 3m, US-plug

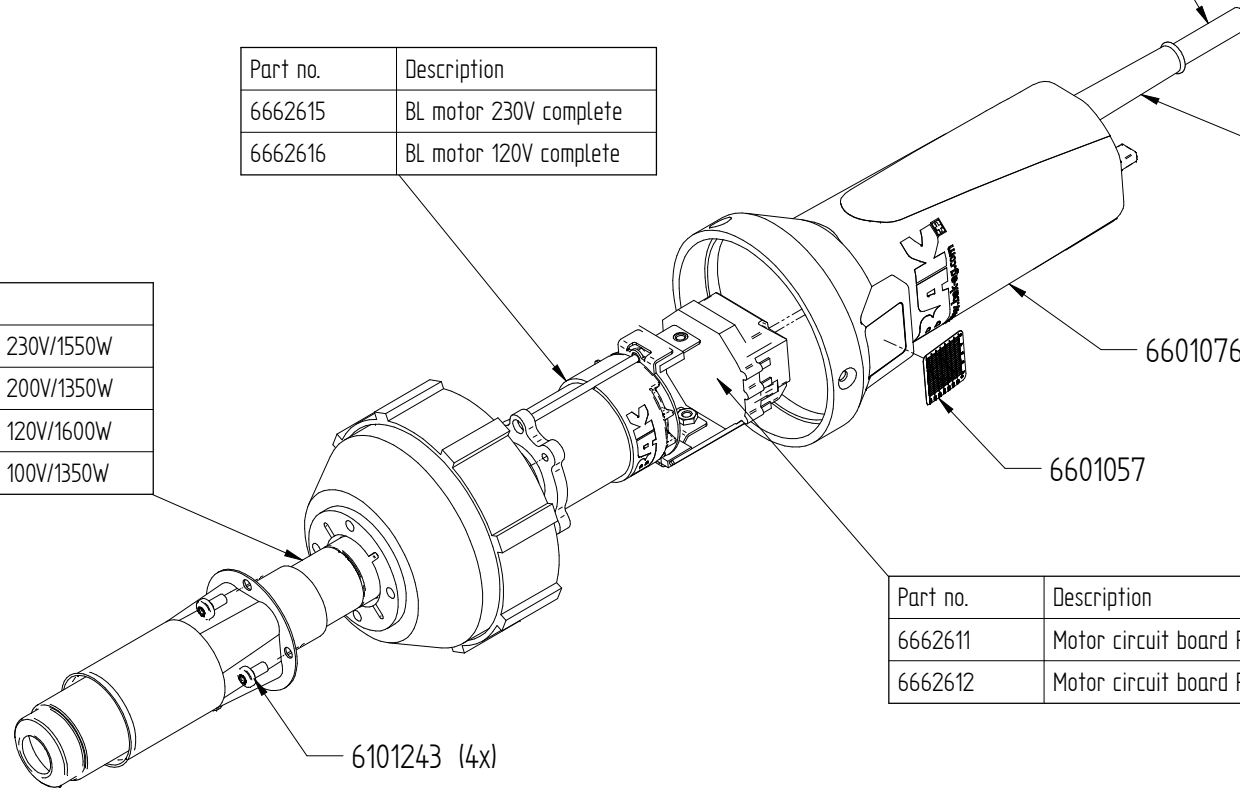
Part no.	Description
6662615	BL motor 230V complete
6662616	BL motor 120V complete

Part no.	Description
6100306	Cord guard D9x75
6100444	Cord guard D9,6x75

Part no.	Description
6100689	Heating element type 26/33, 230V/1550W
6100701	Heating element type 26/33, 200V/1350W
6100702	Heating element type 26/33, 120V/1600W
6100703	Heating element type 26/33, 100V/1350W

Part no.	Description
6662611	Motor circuit board RiOn BL 230V
6662612	Motor circuit board RiOn BL 120V

Part no.	Description
6100300	Heater tube D31,5 for push-fit nozzles
6100304	Heater tube D31,5 screw-on M14



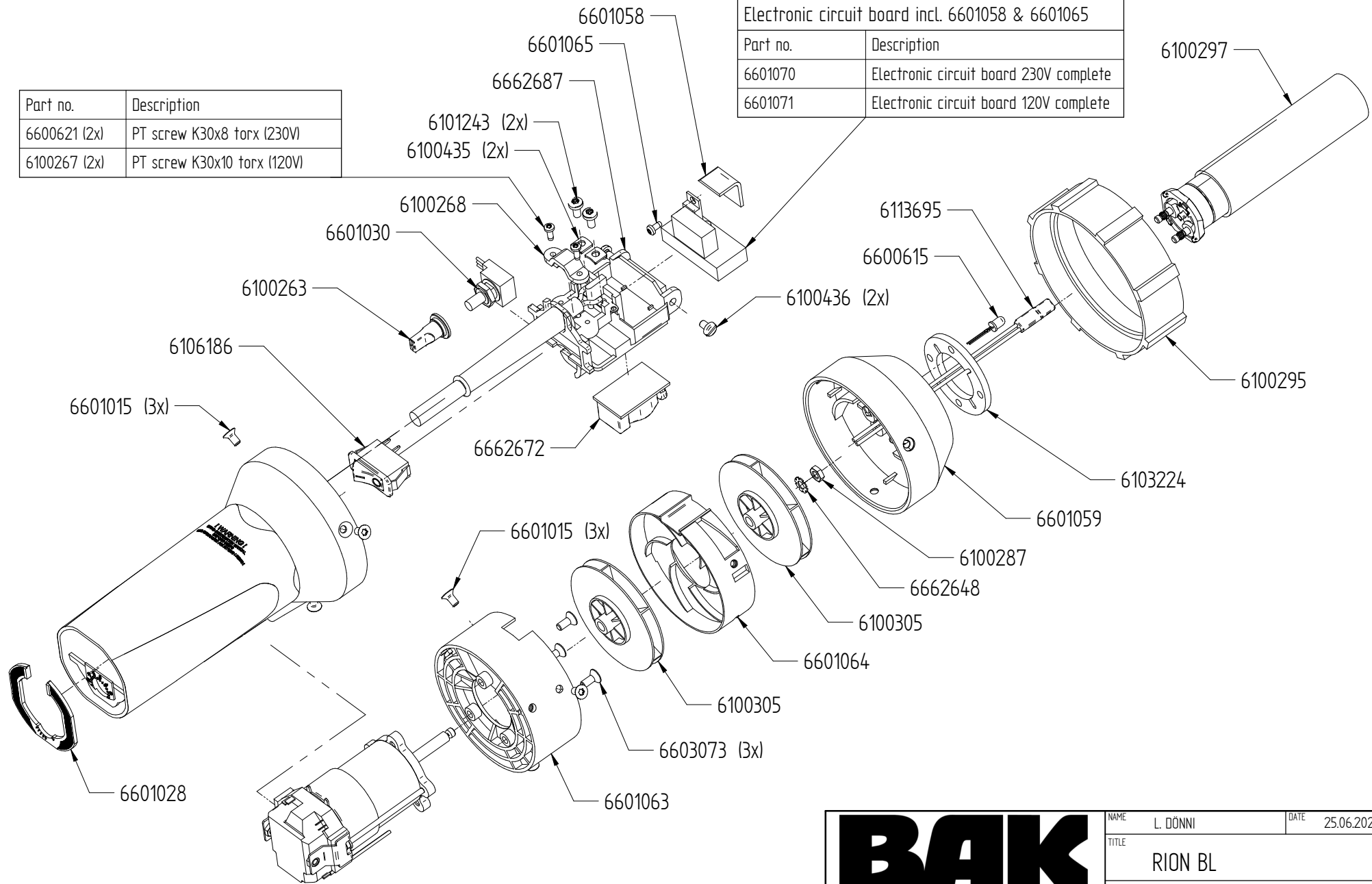
BAK
www.bak-ag.com 

GENERAL TOLERANCES ACCORDING TO ISO 2768 - mK
REFER TO PROTECTION NOTICE ISO 16016

NAME	L. DÖNNI	DATE	25.06.2021
TITLE	RION BL		
DWG NO	4600185		
MATERIAL		REVISION	A
SCALE:	1:2	WEIGHT:	0.000 kg
		SHEET 2 OF 3	

Part no.	Description
6600621 (2x)	PT screw K30x8 torx (230V)
6100267 (2x)	PT screw K30x10 torx (120V)

Electronic circuit board incl. 6601058 & 6601065	
Part no.	Description
6601070	Electronic circuit board 230V complete
6601071	Electronic circuit board 120V complete



BAK
www.bak-ag.com

GENERAL TOLERANCES ACCORDING TO ISO 2768 - mK
REFER TO PROTECTION NOTICE ISO 16016

NAME	L. DONNI	DATE	25.06.2021
TITLE	RION BL		
DWG NO	4600185		
MATERIAL		REVISION	A
SCALE:	1:2	WEIGHT:	0.000 kg
		SHEET 3 OF 3	