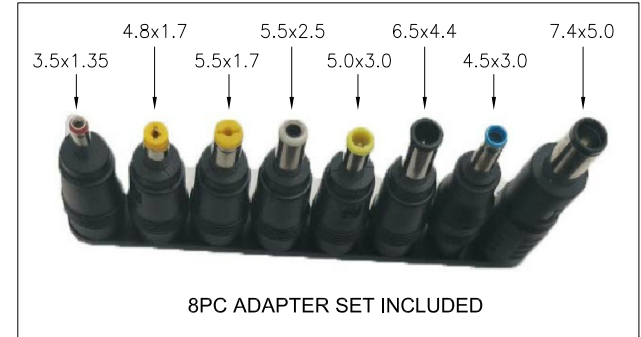
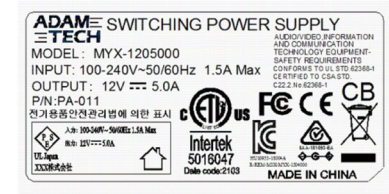
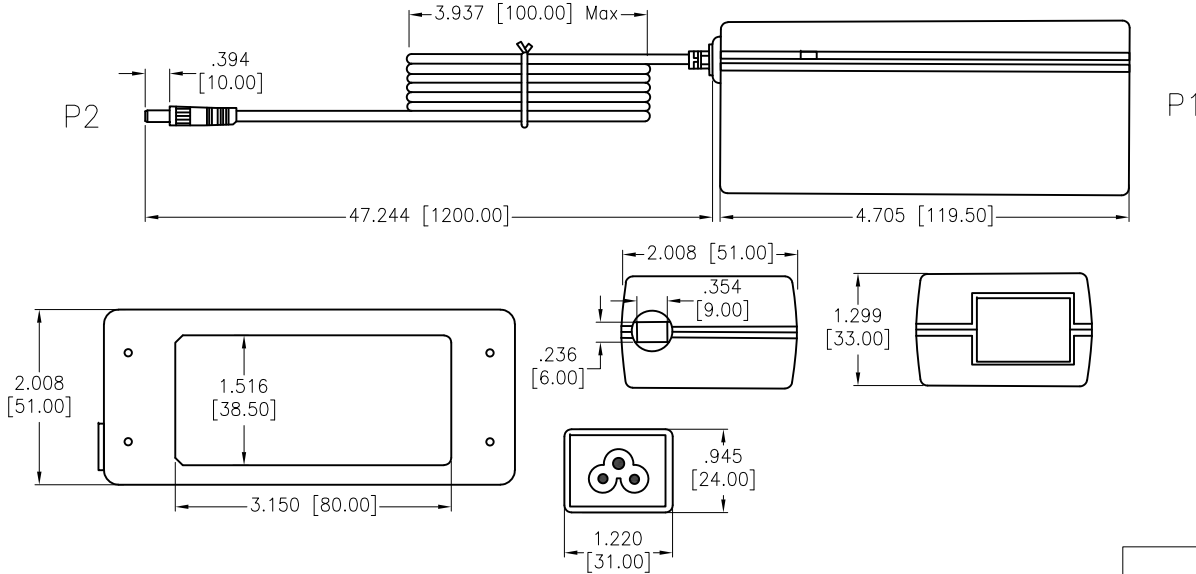


APPROVED: \_\_\_\_\_  
 DATE: \_\_\_\_\_ TITLE: \_\_\_\_\_

Rev	AWO #	Description	Date	Appr
-		RELEASED	3/24/21	
A		UPDATE DRAWING	4/27/21	WX/AC
B		UPDATE DIM	6/11/21	JJ
C		UPDATE DIM	6/17/21	WX/LL
D		UPDATE DIM ON DC PLUG I.D. to 2.5mm	10/26/22	SS



**SPECIFICATIONS:**

Connector  
 P1: Power Adapter, W/Strain Relief, Shell: PC+ABS  
 P2: DC Plug, W/Strain Relief, 5.5\*2.5\*10mm

CABLE:  
 UL2464: 18AWG, Jacket Color: Black

Electrical:  
 Input:  
 Voltage: 100Vac to 240Vac  
 Current: 1.5A Max. @ 90Vac input & max load  
 Frequency: 47Hz / 63Hz

Output:  
 Voltage: 12V  
 Current: 5A max.  
 Load Regulation: ±5%  
 Line Regulation: ±1%

Line Load Regulation-Output Rate: 12V, 5A  
 Insulator Resistance: 10 Mohms min @ 500VDC  
 Dielectric Strength(Hi-pot): 3,000V AC For 1 Minute  
 Temperature Rating:  
 Operating Temperature: -20°C to +40°C  
 Storage Temperature: -20°C to +75°C

Environmental:  
 Lead free, RoHS compliant. **RoHS COMPLIANT**

UNLESS OTHERWISE SPECIFIED ALL DIMENSIONS ARE INCHES [MM]. TOLERANCES: EXCEPT AS NOTED

INCHES		HOLES	
.X	± .10	ØX	± .10
.XX	± .020	ØXX	± .015
.XXX	± .015	ØXXX	± .010

**ADAM TECH** 909 Rahway Avenue,  
 Union, NJ 07083  
 Phone: 908-687-5000  
 Fax: 908-687-5710

DRAWN	WX	3/24/21
CHECKED	AC	3/24/21
APPROVED		

TITLE  
 SWITCHING POWER SUPPLY, 12 VOLT, 5AMP,  
 UL2464 18AWG, 5.5X2.5X10MM, COLOR BLACK

THIS DRAWING CONTAINS INFORMATION THAT IS PROPRIETARY AND SHOULD NOT BE USED WITHOUT PRIOR WRITTEN PERMISSION FROM ADAM TECH

SIZE	PART NO.	REV.
X	PA-011	D
REF:	SCALE: NTS	SHEET 1 OF 1