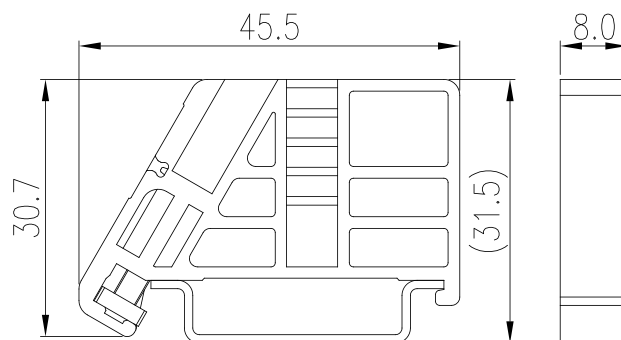
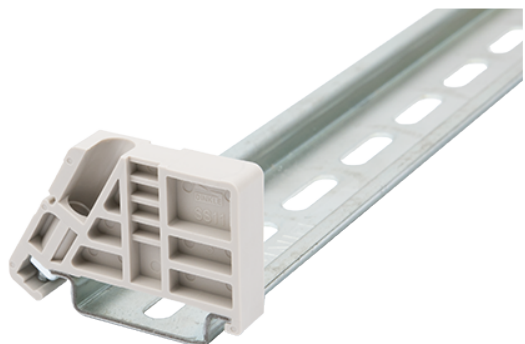


SS11



DIN Rail Terminal Blocks > Accessories > End bracket



Specification

Product description	End Bracket
Color	Beige
Material	PA
Inflammability class	UL94-V0
Compatible rail	TS-35, TS-35/15
Marking label	MKH-001
Marking label	TM49W
Package	50 pcs / box