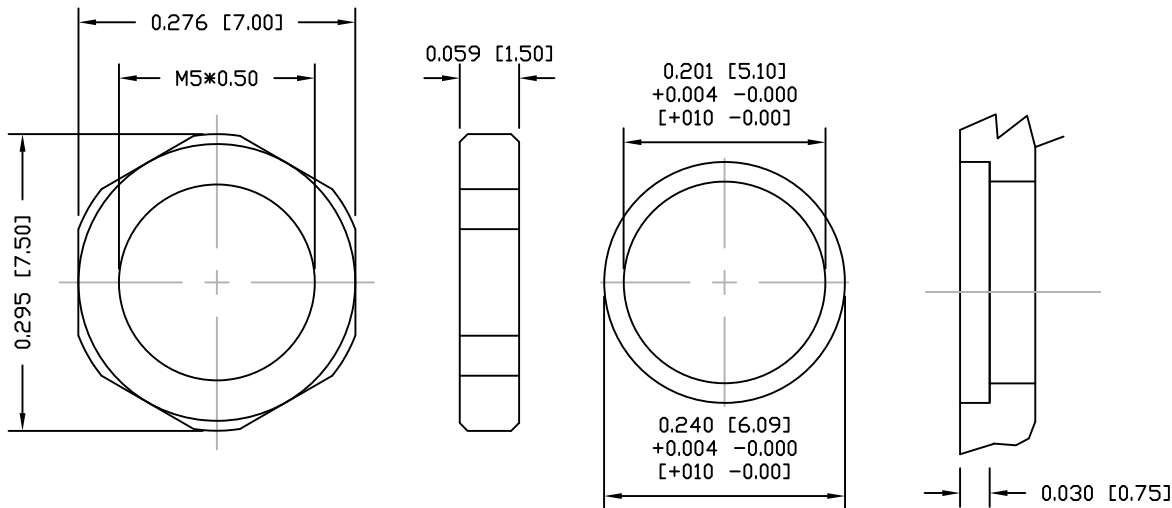


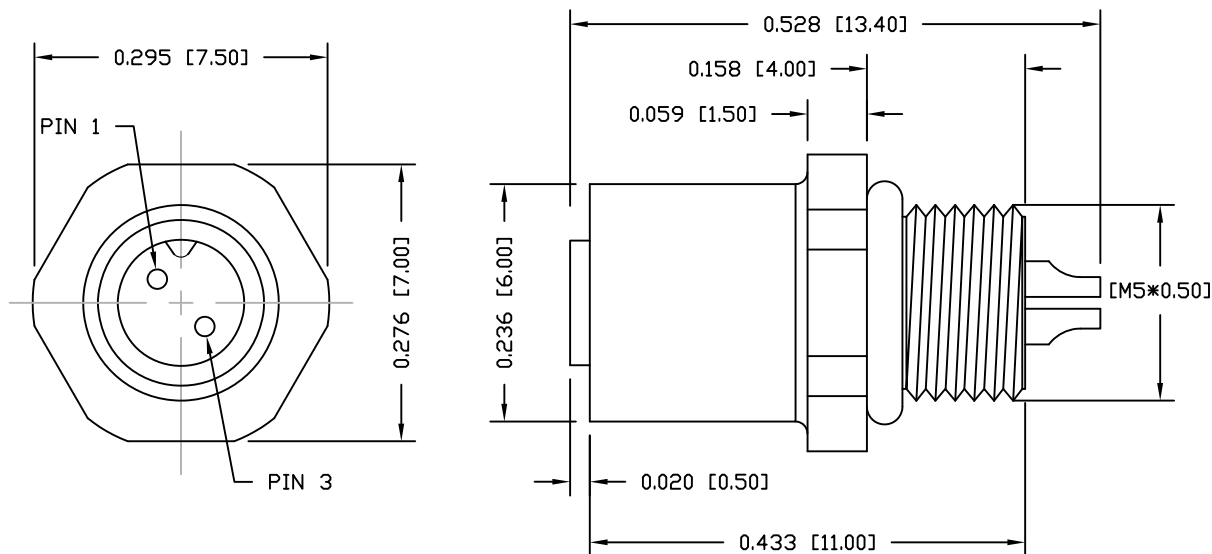
DESCRIPTION: M5 FEMALE - PANEL MOUNT (FRONT) - SOLDER CUP - 2 POSITION



NUT

MAX. PANEL THICKNESS: 0.075"

RECOMMENDED  
PANEL CUTOUT



NOTE:

MATERIAL

HOUSING: PBT UL94V-0, BLACK  
CONTACT: BRASS  
NUT: BRASS  
SHELL: BRASS  
O-RING: NBR, BLACK

FINISH

CONTACT: GOLD PLATED  
OVER 50µ" NICKEL  
NICKEL PLATED  
NUT: NICKEL PLATED  
SHELL: NICKEL PLATED

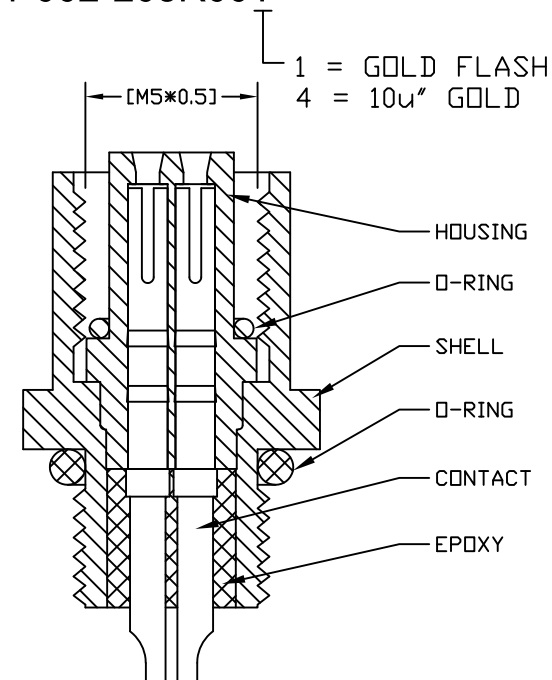
ELECTRICAL

RATED CURRENT: 1A  
RATED VOLTAGE: 60V  
INSULATION RESISTANCE: 100 MΩhms MIN.  
CONTACT RESISTANCE: 10 mΩhms MAX.  
WATER PROOF: IP67

ENVIRONMENT

OPERATION TEMPERATURE: -40°C TO +85°C  
WIRE GAUGE: 26-28 AWG  
MAX ASSEMBLY TORQUE = 1.5 in lbs

851-002-203R00Y



RoHS COMPLIANT

DO NOT SCALE FROM DRAWING



THESE DRAWINGS AND SPECIFICATIONS ARE THE PROPERTY OF NorComp AND SHALL NOT BE REPRODUCED, COPIED OR USED AS THE BASIS FOR THE MANUFACTURE OR SALE OF APPARATUS WITHOUT WRITTEN PERMISSION.

DRAWN:

M. SIGMON

DATE:

03-03-16

NorComp

SCALE:

NTS

SHEET

OF

1

1

REV

3

DWG NO.

851-002-203R00Y