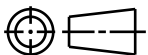
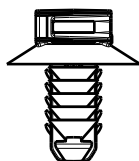
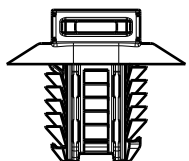
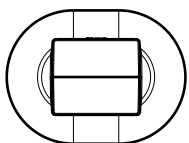
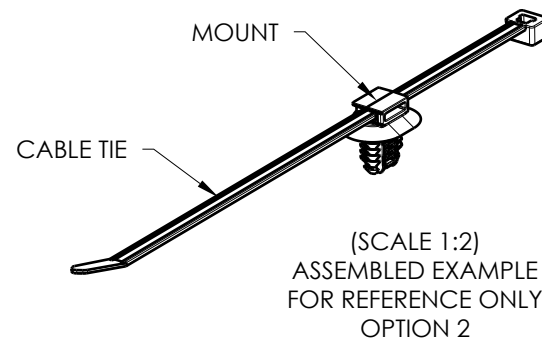
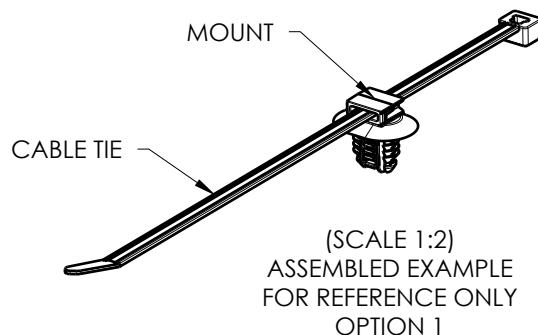


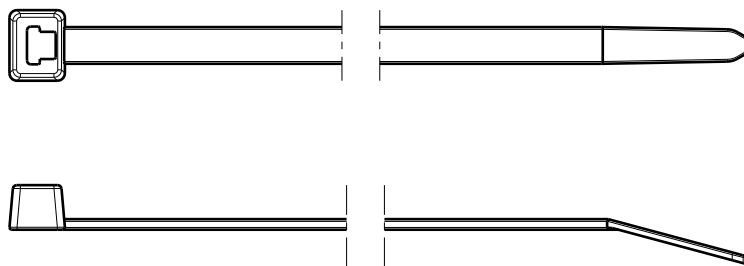
CATIA V5



Revision Level			Revision Record	Changed	Date	Approved	Date
Drawing	State	Part					
01.1	Design Release		SEE ECN# 014275	CJR	1/24/18	KVH	1/25/18



MOUNT
DELIVERY CONDITION: UNASSEMBLED SET



CABLE TIE
DELIVERY CONDITION: UNASSEMBLED SET



TYPE	BUNDLE RANGE	CABLE TIES ^{01.1}		MOUNT	
		DRAWING	MATERIAL	DRAWING	MATERIAL
T50RSADFTOVAL-SET/ 156-01798	5 TO 50	CT2050007CST	PA66HIRHSUV	15-0879-021-CSU	PA66HIRHS
T50ISADFTOVAL-SET/ 156-02265	5 TO 80	CT2050008CST	PA66HIRHSUV	15-0879-021-CSU	PA66HIRHS
T50LSADFTOVAL-SET/ 156-02266	5 TO 110	CT2050009CST	PA66HIRHSUV	15-0879-021-CSU	PA66HIRHS

Material
SEE CHART
COLOR: BLACK

Units millimeters
Tolerance defined on each dimension

The copyright of this drawing is reserved by HellermannTyton. It is issued on condition that it is not reproduced, copied or disclosed to a third party, either wholly or in part, without the consent of HellermannTyton.

Drawn CJR 12/8/16
Approved EJH 1/25/17
HellermannTyton
North America
Email: corp@htamericas.com
Web: www.hellermann.tyton.com

Article/Type-No SEE TABLE
Title STANDARD CABLE TIE WITH FTOVAL MOUNT
Drawing-No PRODUCTION : Phase
15-0879-121-CSU

Scale 2:1
Project Number 15-0879
Format AH
Sheet 1/1