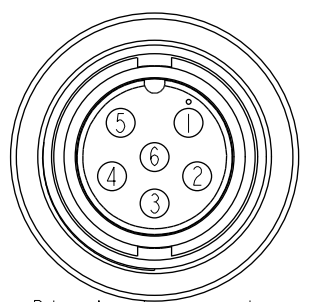
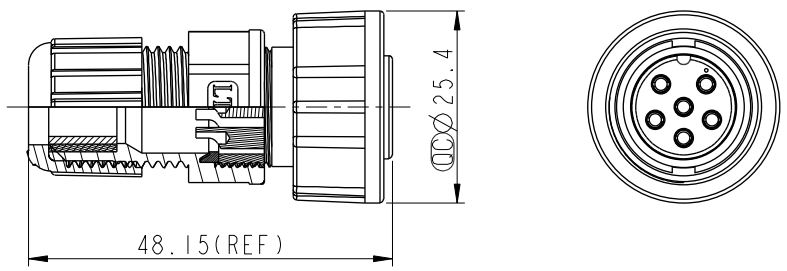
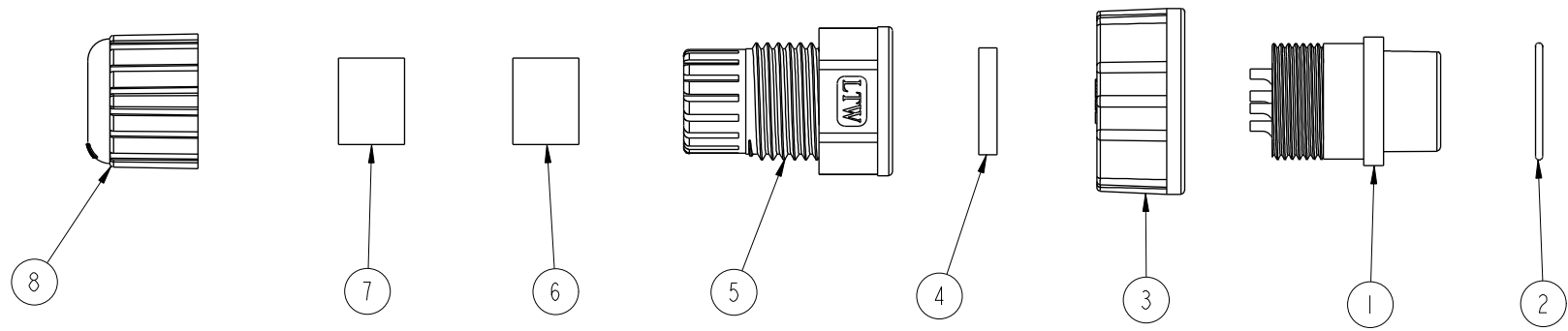


THIS DOCUMENT IS SUBJECT TO CHANGE WITHOUT NOTICE. IT IS CONFIDENTIAL AND A PROPERTY OF AMPHENOL LTW. DISCLOSURE TO THIRD PARTY HAS TO BE AUTHORIZED BY AMPHENOL LTW.

REV.	ECN NO.	DATE	SIGN	DESCRIPTION



Pin Assignments
Front View

ALTW
 CONFIDENTIAL
 2012-04-06
 R&D DEPT.

ALTW
 DCC. DEPT.
 CONFIDENTIAL
 2012-04-27
 ISSUED

- Note:
- * \varnothing Important Dimension To Check.
 - * Waterproof Rate: IP67
 - * Housing: Nylon+GF, Black.
 - * Female Pin: Copper Alloy, Gold Plated.
 - * O-Ring: EPDM, Black.
 - * Screw Nut: Nylon+GF, Black.
 - * Gasket: EPDM, Black.
 - * Clamp Ring: Nylon, Black.
 - * Sealing Nut: Nylon, Black.
 - * Seals B1 for Cable OD: $\varnothing 7.6\text{mm} \sim \varnothing 9.6\text{MM}$
 - * Seals B2 for Cable OD: $\varnothing 4.0\text{MM} \sim \varnothing 7.6\text{MM}$
 - * One Set Unassembled in One PE Bag.

UNIT:mm 	TITLE Middle, Assy Screw 6Pin F Conn F Pin		<h1 style="text-align: center;">Amphenol LTW</h1> <p style="text-align: center;">安費諾亮泰企業股份有限公司</p>		ITEM NO	DRAWN BY	DATE		
	SCALE	SIZE			SHEET	OF	CB-06BFFA-SL7001	SamChang	2012-04-06
	REV.	WC-REV.			Inspection item		CB-06BFFA-SL7001	Jeffrey	2012-04-27
TOLERANCE .X ± 0.25 .XX ± 0.1 .XXX ± 0.05 ANGLES $\pm 1^\circ$	A	A.2			CUSTOMER	APPROVED BY	DATE		
				ALTW	Lion	2012-04-27			