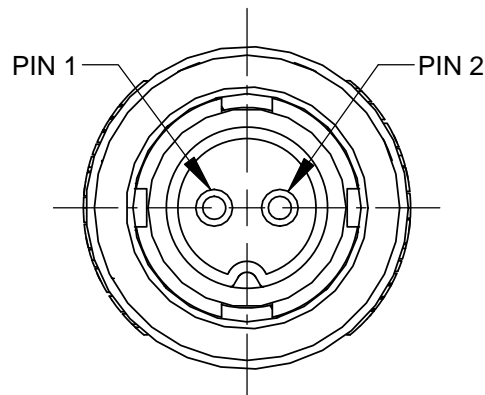


**EN2C2M20  
OVERMOLDED**

OVERMOLD - BLACK THERMOPLASTIC RUBBER  
 CONNECTOR - BLACK THERMOPLASTIC, WITH INSERT  
 MOLDED BLACK THERMOPLASTIC RUBBER.  
 CONTACTS - COPPER ALLOY, GOLD PLATED

S.C.O



**EN2C2M20 VIEWED FROM  
FRONT MATING  
SIDE OF CONNECTOR  
SCALE 3 : 1**

WIRING TABLE	
EN2C2M20	WIRE COLOR
PIN 1	BLACK
PIN 2	WHITE

NOTES:

- 1. THIS PRODUCT IS RoHS COMPLIANT.

**CUSTOMER DRAWING**

					THIS DRAWING DESCRIBES A DESIGN CONSIDERED PROPRIETARY IN NATURE, DEVELOPED AND MANUFACTURED BY SWITCHCRAFT INC. AND IS RELEASED ON A CONFIDENTIAL BASIS FOR IDENTIFICATION PURPOSES ONLY.						
					SIZE *	WIDTH *	MULT *	LBS/M *	TEMPER *		
					FINISH *			MATERIAL *			
					SPEC No. *			SPEC No. *			
					FIRST USED ON *		SCALE 1:1				
					DATE DRAWN	BY	CHKD	APVD			
					11/23/16	AB	AB	*			
							11/23/16	*			
										SHEET 1 OF 1	
REV	ECO NUMBER	DATE	BY	APVD	NAME			PART No.	REV		
REVISIONS					DO NOT SCALE DRAWING			EN2C2M20 ON 79" OF CABLE, RoHS		CAEN2C2M07990	0A

