

**GPSGLONASS03N-S3-03-A**

## **Specification**

<b>Product Name</b>	<b>INPAQ RF Active Antenna</b>
<b>Series/PN</b>	<b>GPSGLONASS03N-S3-03-A</b>

**PN : GPSGLONASS03N-S3-03-A**

**1. Application:**

This application shall apply for antenna unit which shall be used with an engine for an automobile. (for impedance 50Ω)

**2. Appearance:**

Antenna Unit (with radome, connector, and cable –refer to an attached drawing)

Characteristics	Specification
Dimensions	25*25*8.25mm
Radome	#N
Weight	15g typ.
Connector	I-PEX MHF
Cable	RF Cable 1.13 55mm
Magnet	NO
Label	NO
Anti-slip pad	NO
Double side adhesive	NO

**3. Operating Condition:**

Temperature -40~+90°C

**4. Storage Condition:**

Temperature -40~+90°C  
Humidity 65±20%RH

**5. Electrical Specification:**

※All value are defined at 25±15°C, 65±20%RH, power handling 1μ watt, air pressure 960±100 HPA unless otherwise noted.

※Patch characteristics are measured with 70x70mm ground plane in an anechoic chamber.

### 5-1 Patch Specification.

Characteristics		Specification
Frequency Domain		1575MHz~1615MHz
Bandwidth (10dB return loss)		43.0MHz typ.
Zenith Gain	1575.42MHz	2.4dBic typ.
	1602MHz	2.02dBic typ.
Polarization		R.H.C.P

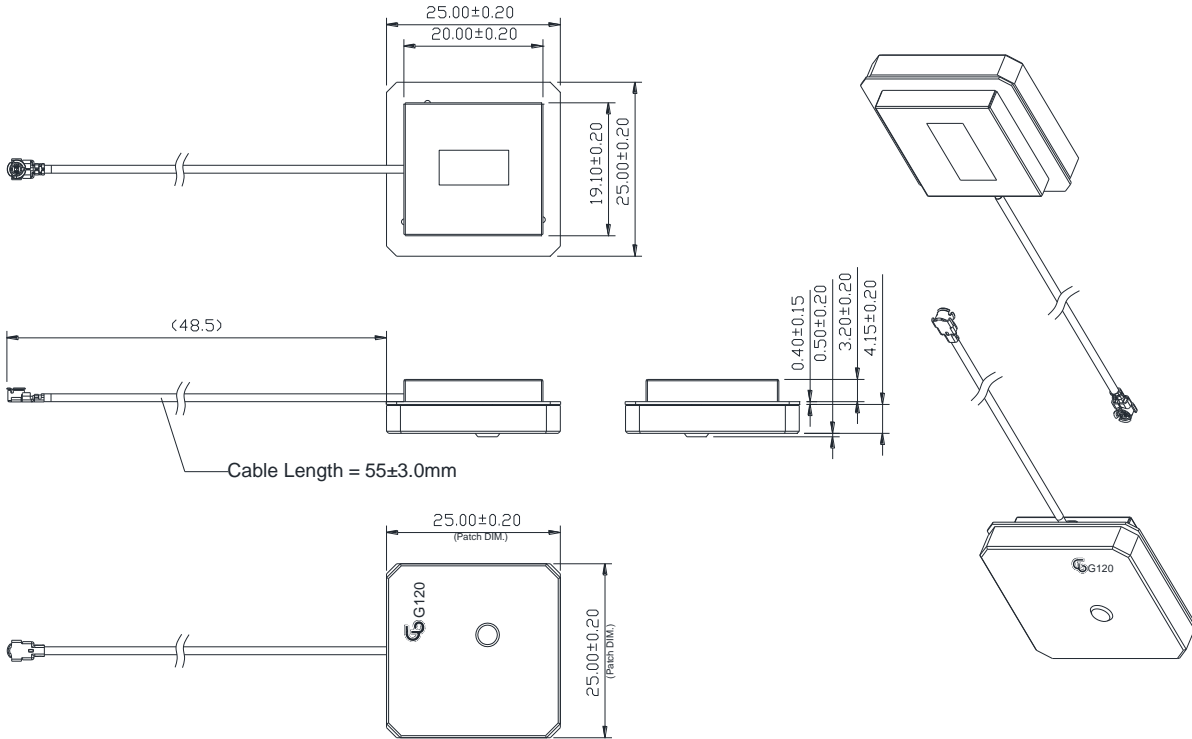
### 5-2 LNA Specification.

Characteristics		Specification
Frequency Range		1575MHz~1615MHz
Gain	1575.42MHz	27±3dB (at 3.0±0.1V)
	1602MHz	27±3dB (at 3.0±0.1V)
Noise Figure		2.0dB typ
Filter Outband attenuation		37.0dB typ. fo±100MHz (fo=1575.42MHz~1602MHz)
Output V.S.W.R		2.5 max.
Operation Voltage		DC=3.0±0.6V
Current		DC=9±3mA (at 3.0±0.1V)

### 5-3 Overall Specification. (Through Antenna, LNA, without cable loss)

Characteristics		Specification
Frequency Range		1575MHz~1615MHz
Zenith Gain	1575.42MHz	29.4±3dBic (for ground 70×70mm at 3.0±0.1V)
	1602MHz	29.02±3dBic (for ground 70×70mm at 3.0±0.1V)
Output Impedance		50Ω
Output V.S.W.R		2.5 max.
Operation Voltage		DC=3.0±0.6V
Current		DC=9±3mA (at 3.0±0.1V)

**6. Antenna Dimensions:(unit : mm)**



**Connector appearance:I-PEX MHF**

