



Main

Range of Product	Harmony GK
Product or Component Type	Touchscreen panel with keypad
Display colour	65536 colours
Display size	5.7 inch
Supply	External source
Operating System	Harmony
Processor name	CPU RISC

Complementary

Display Type	Backlit colour TFT LCD
Display Resolution	320 x 240 pixels QVGA
Touch sensitive zone	1024 x 1024
Touch panel	Analogue
Backlight lifespan	50000 hours
Brightness	16 levels via touch panel
Character font	Korean Taiwanese (traditional Chinese) ASCII (European characters) Japanese (ANK, Kanji) Chinese (simplified Chinese)
[Us] rated supply voltage	24 V DC
Supply voltage limits	19.2...28.8 V
Inrush current	30 A
Power consumption in W	7.7 W
Number of dynamic function keys symb	14 with LED
Number of static function keys	10 with LED and labels
Number of SERVICE keys	8
Number of alphanumeric keys	12
Local signalling	For normal operation or backlighting faulty 1 LED (green or orange)
Number of pages	Limited by internal memory capacity
Software Type	Configuration software
Software Designation	Vijeo Designer
Processor frequency	333 MHz
Memory description	512 kB SRAM back up of data lithium battery 128 MB flash EPROM application memory
Downloadable protocols	Telemecanique Modicon FIPWAY Telemecanique Modicon Modbus Plus Telemecanique Modicon Modbus TCP Telemecanique Modicon Modbus Mitsubishi Melsec third party protocols Omron Sysmac third party protocols Rockwell Automation Allen-Bradley third party protocols Siemens Simatic third party protocols Telemecanique Modicon Uni-TE
Realtime clock	Built-in
Memory type	Up to 32 GB SD card RAM Up to 32 GB SDHC card RAM

The information provided in this documentation contains general descriptions and/or technical characteristics of the performance of the products contained herein. This documentation is not intended as a substitute for and is not to be used for determining suitability or reliability of these products for specific user applications. It is the duty of any such user or integrator to perform the appropriate and complete risk analysis, evaluation and testing of the products with respect to the relevant specific application or use thereof. Neither Schneider Electric Industries SAS nor any of its affiliates or subsidiaries shall be responsible or liable for misuse of the information contained herein.

Integrated connection type	<= 187.5 kbit/s RJ45, RS485 COM2 serial link Siemens MPI (187.5 kbits/s) USB 2.0 type A master Modicon M340 terminal port communication <= 115.2 kbits/s male SUB-D 9, RS232C COM1 serial link Removable screw terminal block power supply RJ45 Ethernet TCP/IP USB 2.0 type mini B
Port Ethernet	10BASE-T/100BASE-TX
Mounting Mode	Flush mounting
Fixing Mode	By 10 spring clips
Front material	Aluminium alloy
Enclosure Material	PPT
Marking	CE
Width	8.67 in (220.3 mm)
Height	10.43 in (265 mm)
Depth	2.76 in (70 mm)
Cut-out dimensions	209 (+/- 0.4) x 243 (+/- 0.4) mm
Net Weight	3.97 lb(US) (1.8 kg)

Environment

Immunity to microbreaks	5 ms
Standards	UL 61010-2-201 EN 61000-6-2 EN 61131-2 ANSI/ISA 12.12.01 CSA C22.2 No 213 EN 61000-6-4
Product Certifications	UL Class 1 Division 2 T5 KC CSA Class 1 Division 2 T5 CSA Class 1 Division 2 T4A EAC RCM CULus UL Class 1 Division 2 T4A
Ambient Air Temperature for Operation	32...131 °F (0...55 °C)
Ambient Air Temperature for Storage	-4...140 °F (-20...60 °C)
Relative humidity	10...90 % without condensation
Operating altitude	< 6561.68 ft (2000 m)
IP degree of protection	IP20 IEC 60529 rear panel) IP65 IEC 60529 front panel)
NEMA degree of protection	NEMA 4X front panel (indoor use)
Shock resistance	15 gn 11 ms IEC 60068-2-27
Vibration resistance	1 gn 9...150 Hz)IEC 60068-2-6 3.5 mm 5...9 Hz)IEC 60068-2-6
Electromagnetic compatibility	Resistance to electrostatic discharge 4 kVlevel 3 IEC 61000-4-2 Resistance to radiated electromagnetic fields 10 V/m IEC 61000-4-3 Resistance to fast transient 2 kVlevel 3 IEC 61000-4-4

Ordering and shipping details

Category	22569-MAGELIS XBT-GT (AND XBT-G)
Discount Schedule	MC2
GTIN	3606480992087
Nbr. of units in pkg.	1
Package weight(Lbs)	145.06 oz (4112.5 g)
Returnability	Yes
Country of origin	CN

Packing Units

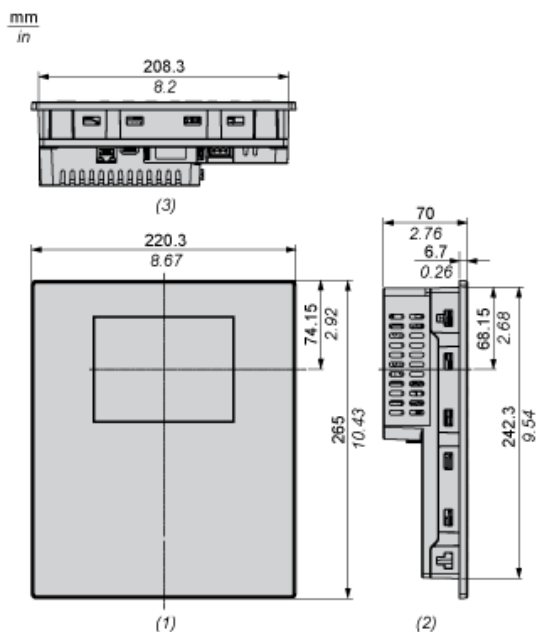
Unit Type of Package 1	PCE
Package 1 Height	9.37 in (23.8 cm)
Package 1 width	15.79 in (40.1 cm)
Package 1 Length	17.20 in (43.7 cm)
Unit Type of Package 2	BB1
Number of Units in Package 2	1
Package 2 Weight	6.50 lb(US) (2.95 kg)
Package 2 Height	2.80 in (7.1 cm)
Package 2 width	5.31 in (13.5 cm)
Package 2 Length	10.43 in (26.5 cm)
Unit Type of Package 3	P12
Number of Units in Package 3	16
Package 3 Weight	143.30 lb(US) (65.0 kg)
Package 3 Height	39.37 in (100 cm)
Package 3 width	31.50 in (80 cm)
Package 3 Length	47.24 in (120 cm)

Offer Sustainability

California proposition 65	WARNING: This product can expose you to chemicals including: Lead and lead compounds, which is known to the State of California to cause cancer and birth defects or other reproductive harm. For more information go to www.P65Warnings.ca.gov
REACH Regulation	REACH Declaration
REACH free of SVHC	Yes
EU RoHS Directive	Pro-active compliance (Product out of EU RoHS legal scope) EU RoHS Declaration
Mercury free	Yes
RoHS exemption information	Yes
China RoHS Regulation	China RoHS Declaration
WEEE	The product must be disposed on European Union markets following specific waste collection and never end up in rubbish bins.

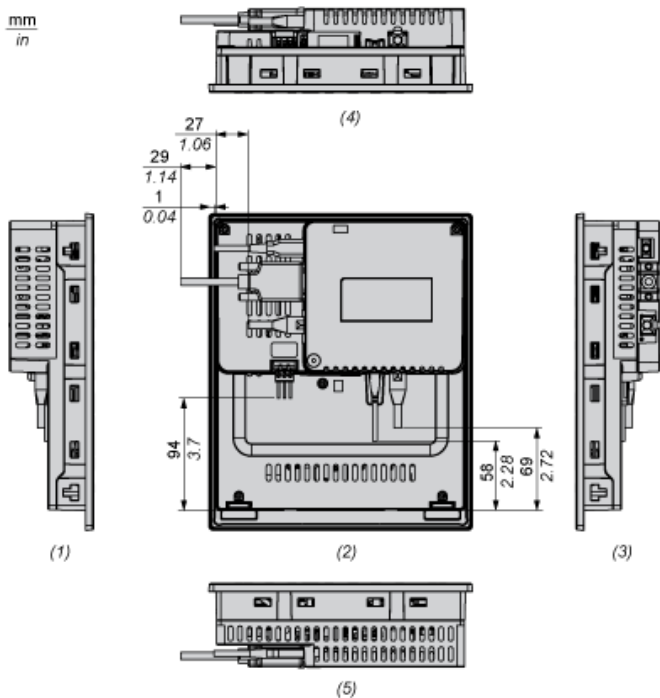
Dimensions

External Dimensions



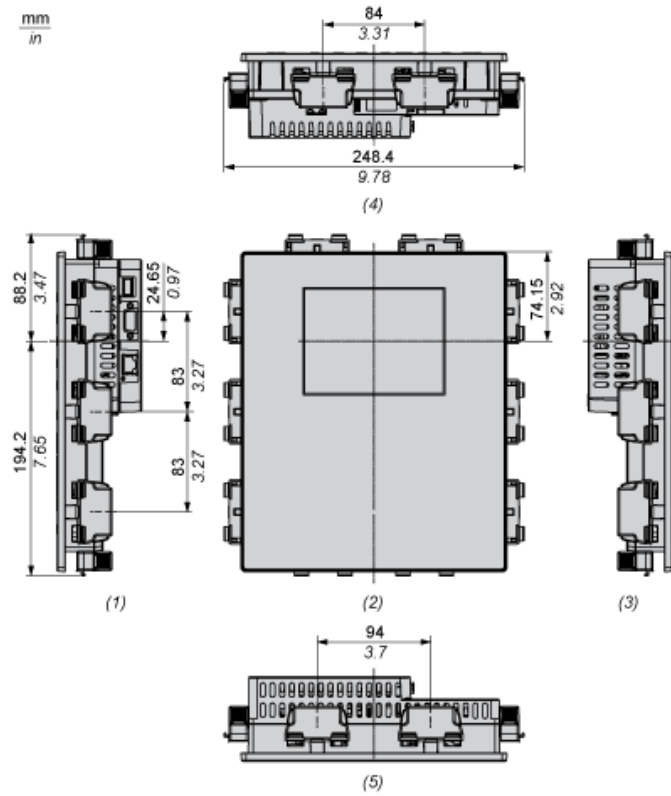
- (1) Front
- (2) Left
- (3) Bottom

Dimensions with Cables



- (1) Right
- (2) Front
- (3) Left
- (4) Bottom
- (5) Top

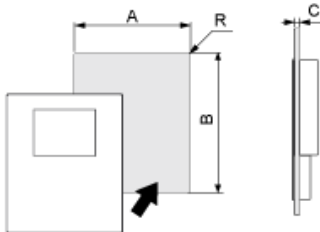
Dimensions with Spring Clips



- (1) Right
- (2) Front
- (3) Left
- (4) Bottom
- (5) Top

Mounting

Panel Cut Dimensions



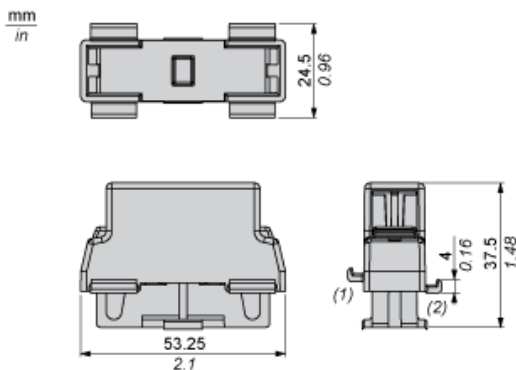
Dimensions in mm

A	B	C
209 ^{±0.4}	243 ^{±0.4}	Spring clips (Position 1): 1.5...4 Spring clips (Position 2): 4...6

Dimensions in in.

A	B	C
8.23 ^{±0.01}	9.57 ^{±0.01}	Spring clips (Position 1): 0.06...0.16 Spring clips (Position 2): 0.16...0.24

Spring Clip Dimensions

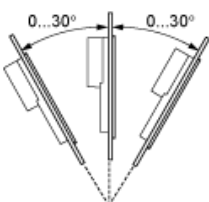


(1) Position 1

(2) Position 2

Installation Requirements

Mounting Angle



When installing this product in a slanted position with an incline more than 30°, the ambient temperature must not exceed 40 °C (104 °F). You may need to use forced air cooling (fan, A/C) to ensure the ambient operating temperature is 40 °C or less (104 °F or less).

Clearance

