

ENVELOPE / ASSEMBLY DRAWING

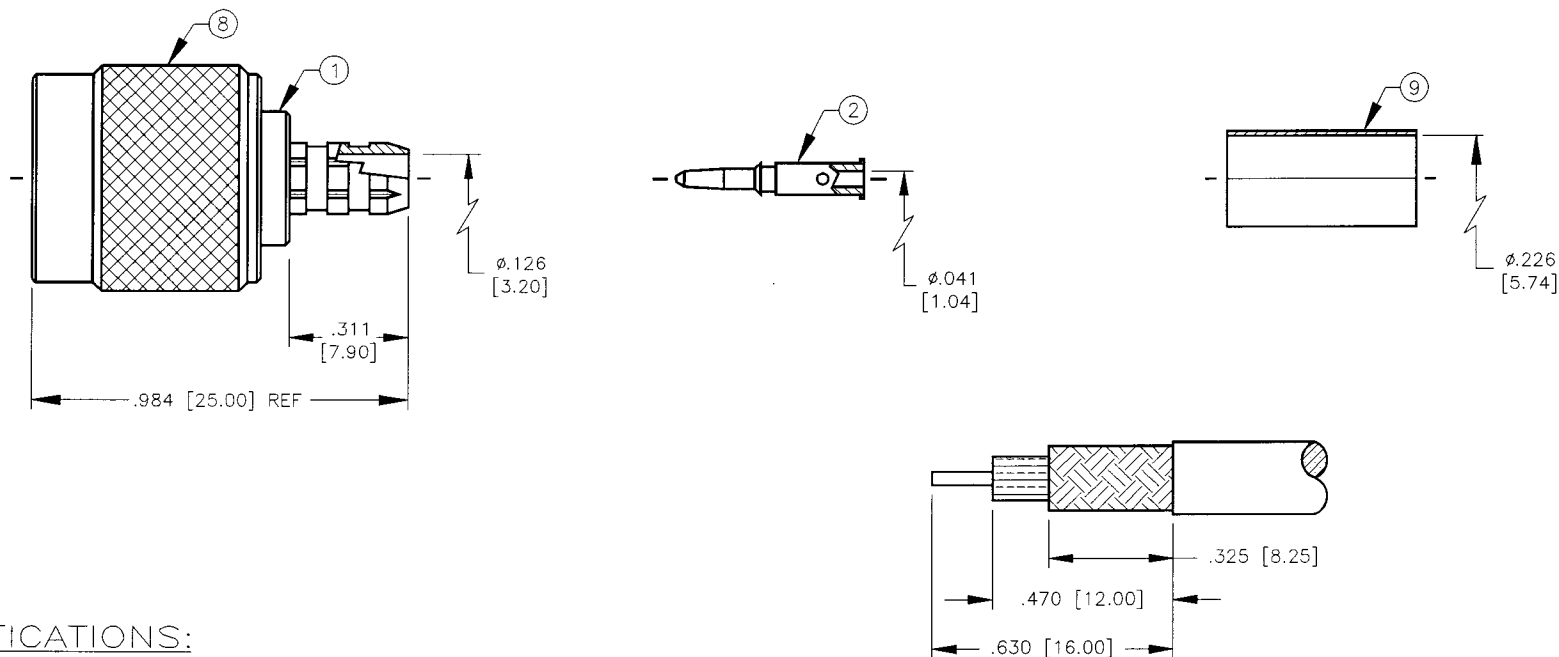
008974

SPECIFICATION CONTROL DRAWING

THIS DRAWING CONTAINS INFORMATION PROPRIETARY TO RF INDUSTRIES, LTD. ANY UNAUTHORIZED USE OF THIS DRAWING IS EXPRESSLY PROHIBITED. ANY VIOLATION IS PUNISHABLE UNDER U.S. COPYRIGHT LAWS.

| REV | DESCRIPTION | DWN | DATE | APPROVED |
|-----|---------------------|-----|---------|----------|
| A | ENGINEERING RELEASE | CZS | 5/18/99 | R. RICE |

ALL DIMENSIONS ARE REFERENCE ONLY



SPECIFICATIONS:

IMPEDANCE: 50 OHMS
 WORKING VOLTAGE: 500 VRMS @ SEA LEVEL
 FREQUENCY RANGE: 0-7 GHz
 INSERTION LOSS: ≤ -2 dB @ 3 GHz
 VSWR MAX: 1.3:1 @ 3 GHz
 FOR RG-55, 55A, 55B, 142, 142A, 142B & 223/U,
 ALPHA 9055, 9055B, 9223, BELDEN 8219, 83242, 84142, 9907
 INTERFACE PER MIL-STD-348A, SECTION 313.1

SUGGESTED STRIPPING INSTRUCTIONS

SUGGESTED CRIMP DIES: .068 & .213

DIMENSIONS ARE IN INCHES AND [MILLIMETERS]

UNLESS OTHERWISE NOTED TOLERANCES ARE:
DECIMALS DIAMETER

RFconnectors
DIVISION OF RF INDUSTRIES, LTD.

7610 MIRAMAR RD
SAN DIEGO, CA 92126
(619)549-6340
(619)549-6345 FAX

RFT-1202-C1

TNC MALE CRIMP PLUG

| ITEM | DESCRIPTION | QTY | MATERIAL | FINISH |
|------|----------------|-----|-------------|--------|
| 9 | FERRULE | 1 | BRASS | NICKEL |
| 8 | SHELL | 1 | BRASS | NICKEL |
| 7 | RETAINING RING | 1 | BRASS | NONE |
| 6 | GASKET | 1 | S.I. RUBBER | RED |
| 5 | WASHER | 1 | BRASS | NONE |
| 4 | RING | 1 | DELTRIN | NONE |
| 3 | DIELECTRIC | 1 | DELTRIN | NONE |
| 2 | PIN | 1 | BRASS | GOLD |
| 1 | BODY | 1 | BRASS | NICKEL |

| | |
|-----------------------------|---------|
| DRAWN C. ZUNIGA | 5/18/99 |
| CHECKED <i>C. Zuniga</i> | 5/18/99 |
| OPD DRAWN C. ZUNIGA | 5/18/99 |

| SIZE | CABLE GROUP | DWG NO. | REV |
|------|-------------|---------|-----|
| A | C1 | 9171 | A |

SCALE: 2:1 CAD FILE 13ARC B SHEET 1 OF 1