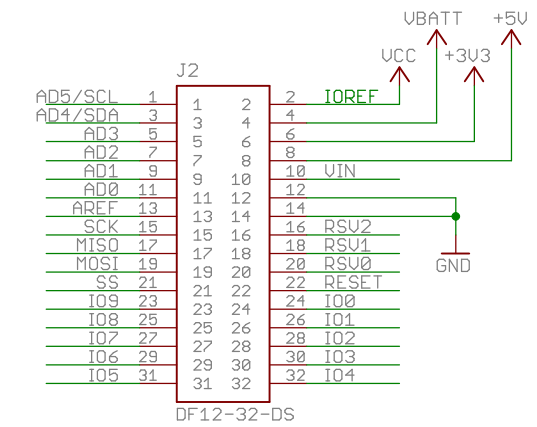


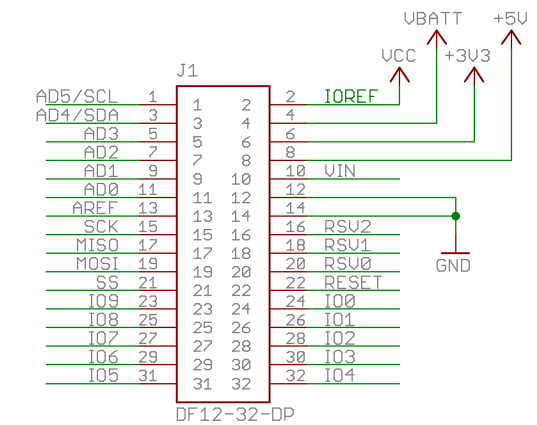
External Connections



TinyShield Expansion - Bottom



TinyShield Expansion - Top



Released under the Creative Commons Attribution Share-Alike 3.0 License
<http://creativecommons.org/licenses/by-sa/3.0>

Original Arduino Uno Design by Team Arduino
 LilyPad Arduino Design by Leah Buechley and Sparkfun Electronics
 TinyDuino, TinyLily and TinyShield Designs by TinyCircuits

		http://www.TinyCircuits.com
TITLE: TinyShield - Proto 0.1" All		
Document Number: AS-SCH-ASD2009		REV: 1
Date: 3/6/2016 3:29:20 PM		Sheet: 1/1