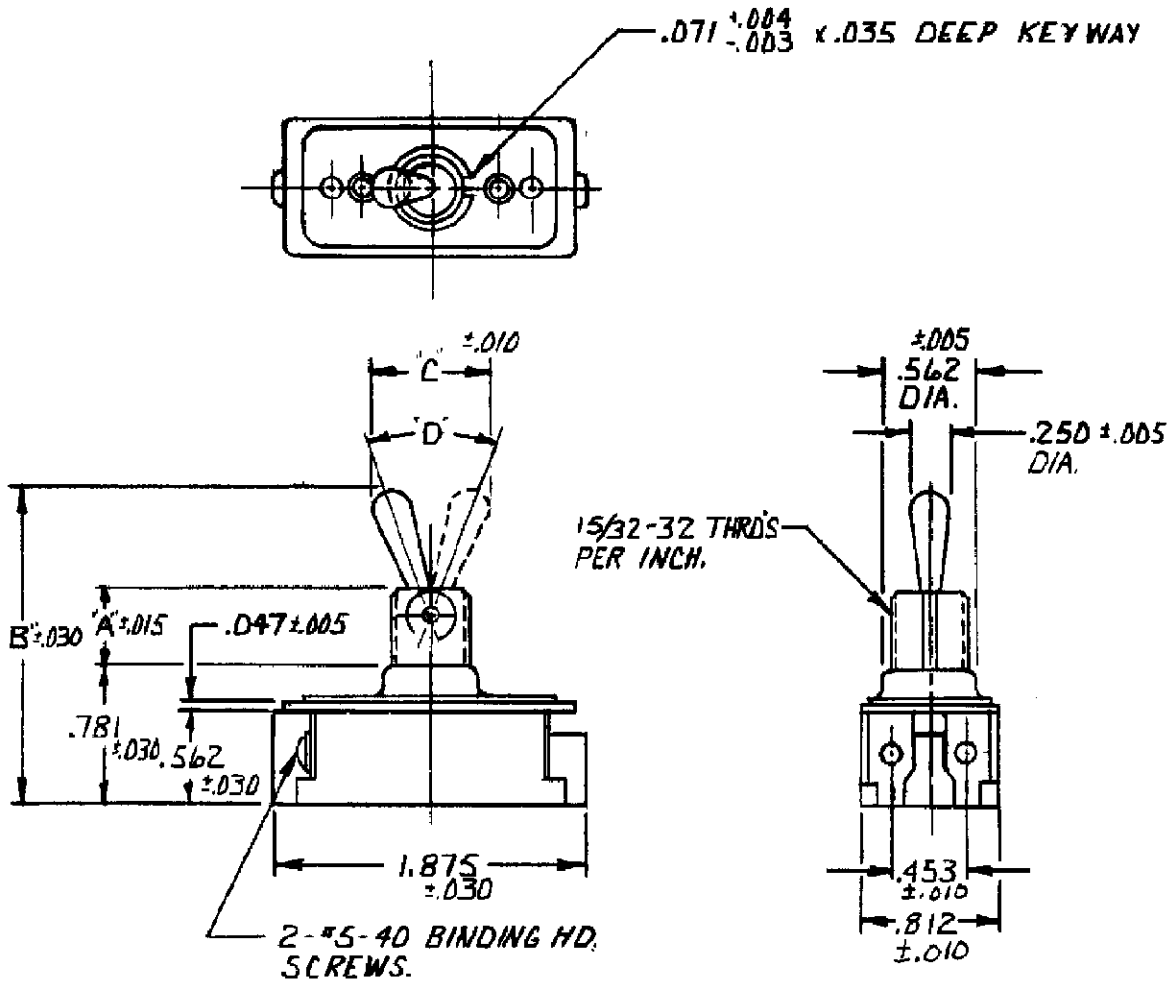


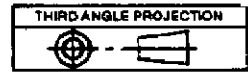
TITLE DIMENSIONS FOR DBL. POLE TOOL HD'L. SW. FOR EUROPEAN USE

ORDER NO.	702A575014	BASIC SPECS. SUMMARY	
		M. R. R. G. 11-26-76	DR MICHAEL WHITEO 1/8/76
		702A575014	ADD Richard Beard
		M. R. R. G. 11/14/76	CHK. J. SMITH 1-14-76
		702A575014 R.S.	1520237
A	REVISED PER ECO-11-005294	18APR11	HMR
LTR	REVISION RECORD	DATE	CHK





37 ^{±4} °	7321	.469	1.922	.719
50 ^{±4} °	7321	.344	1.766	.844
"D"	CAT. NO.	A	B	C



TITLE
DIMENSIONS FOR SINGLE POLE ONE HANDLE MTG. TOOL HANDLE SWITCH.

ORDER NO. 9310N10 **BASIC SPECS. SUMMARY**

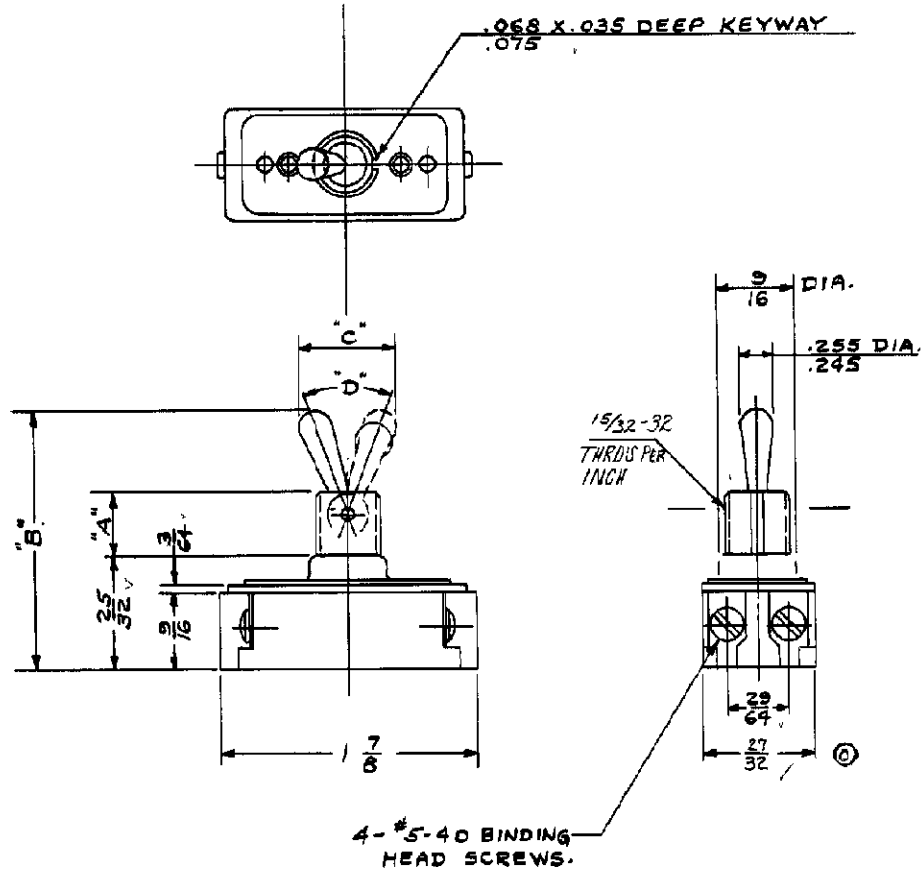
		DR. JEFF BROTHERS	11/27/04	APP. Bill Newland	12/27/04
		CHK. GLENN STORV	11/27/04	1520237	REV A

SEE SHEET 1



1520237

RAW MAT SPEC WITH
PART NO AND AMOUNT REQ'D.



37±4°	7320	15/32	159/64	21/32
50±4°	7320	11/32	149/64	21/32
"D"	CAT. NO.	A	B	C

BULLETIN
DIMENSIONS FOR ~~TYPE 7320~~, ONE HOLE MTG. TOOL HANDLE SWITCH

DR. <i>E. R. Leonard</i>	11/14/40	1520237
CHKD. <i>J. P. ...</i>	10/14/40	SUP. S. NON-INTERCHANGEABLE
APP. <i>J. P. ...</i>	10/15/40	SUP. D BY NON-INTERCHANGEABLE
DO NOT SCALE DRAWING. WORK ACCORDING TO DIMENSIONS.		SURFACE COATING
STANDARD TOLERANCES 90-875 APPLY TO DIMENSIONS FOR WHICH TOLERANCES ARE NOT SPECIFIED.		SCALE 1" = 1"
SEE SHEET 1	ORDER NO. DEV. 4041-10	REV A

FORM NO. 7
DIMENSIONS ON THIS DRAWING
15-40
SCHILLER
15-40
CLOSE

STE TE Connectivity