

# RFID Transponder

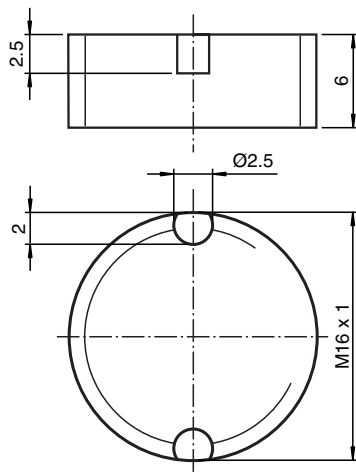
## IPC03-16GK

- Battery-free data carrier
- 32 bit fixcode
- 928 bits memory available
- Flush mounting in metal
- Degree of protection IP67

Data carrier



### Dimensions



### Technical Data

#### General specifications

Operating frequency	125 kHz
Transfer rate	2 kBit/s

#### Functional safety related parameters

MTTF <sub>d</sub>	3400 a
Mission Time (T <sub>M</sub> )	20 a
Diagnostic Coverage (DC)	0 %

#### Memory

Chip Type	EM4450 Titan (EM Microelectronic)
EEPROM	928 Bit
Read cycles	unlimited
Write cycles	> 100000
Data retention period	10 years at 55 °C (131 °F)

#### Directive conformity

Radio equipment	
Directive 2014/53/EU	EN 300330
RoHS	
Directive 2011/65/EU (RoHS)	IEC/EN 63000

#### Standard conformity

Degree of protection	EN 60529
RFID	ISO/IEC 18000-2

Release date: 2021-10-01 Date of issue: 2021-10-01 Filename: 119466\_eng.pdf

Refer to "General Notes Relating to Pepperl+Fuchs Product Information".

Pepperl+Fuchs Group  
www.pepperl-fuchs.com

USA: +1 330 486 0001  
fa-info@us.pepperl-fuchs.com

Germany: +49 621 776 1111  
fa-info@de.pepperl-fuchs.com

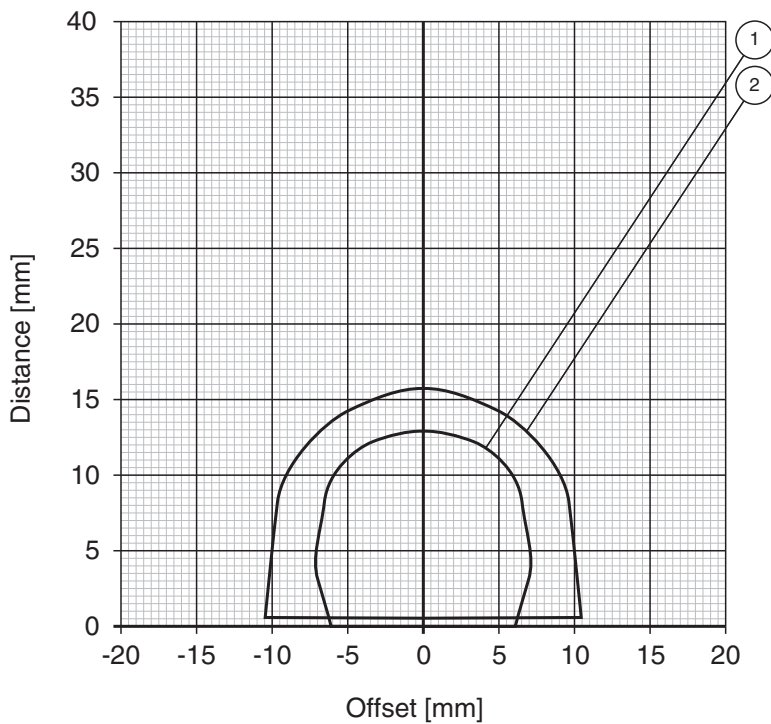
Singapore: +65 6779 9091  
fa-info@sg.pepperl-fuchs.com

**PF** PEPPERL+FUCHS

**Technical Data**

<b>Ambient conditions</b>	
Ambient temperature	-25 ... 70 °C (-13 ... 158 °F)
Storage temperature	-40 ... 85 °C (-40 ... 185 °F)
<b>Mechanical specifications</b>	
Housing height	6 mm
Housing diameter	16 mm
Degree of protection	IP67
Material	
Housing	PBT
Encapsulation compound	CY 221/HY 2966
<b>Installation</b>	
In metal	yes
On metal	yes
In air	yes
Mass	2 g
Construction type	Cylindrical

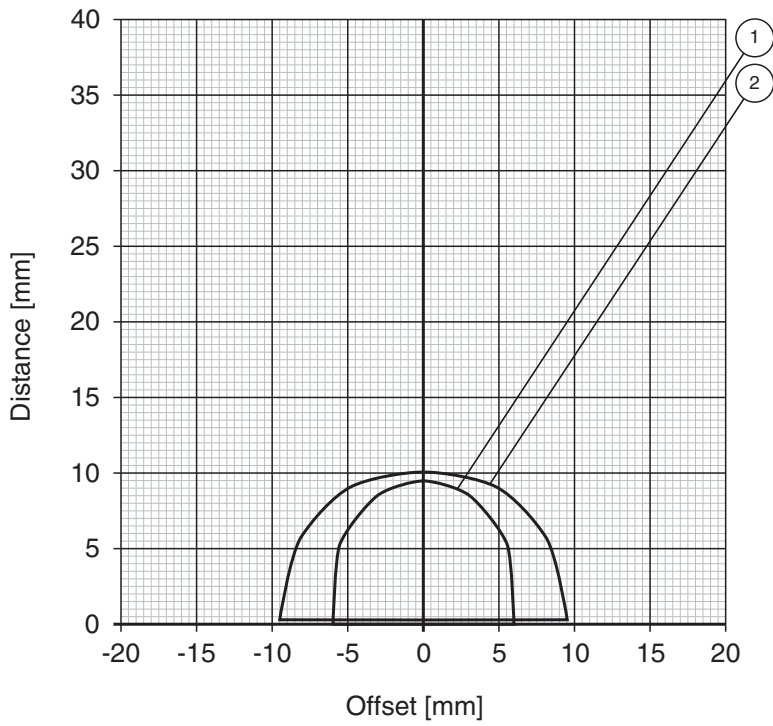
Reading range mounted flush in aluminium IPC03-16GK



Release date: 2021-10-01 Date of issue: 2021-10-01 Filename: 119466\_eng.pdf

Refer to "General Notes Relating to Pepperl+Fuchs Product Information".

Writing range mounted flush in aluminium IPC03-16GK



Release date: 2021-10-01 Date of issue: 2021-10-01 Filename: 119466\_eng.pdf

Refer to "General Notes Relating to Pepperl+Fuchs Product Information".

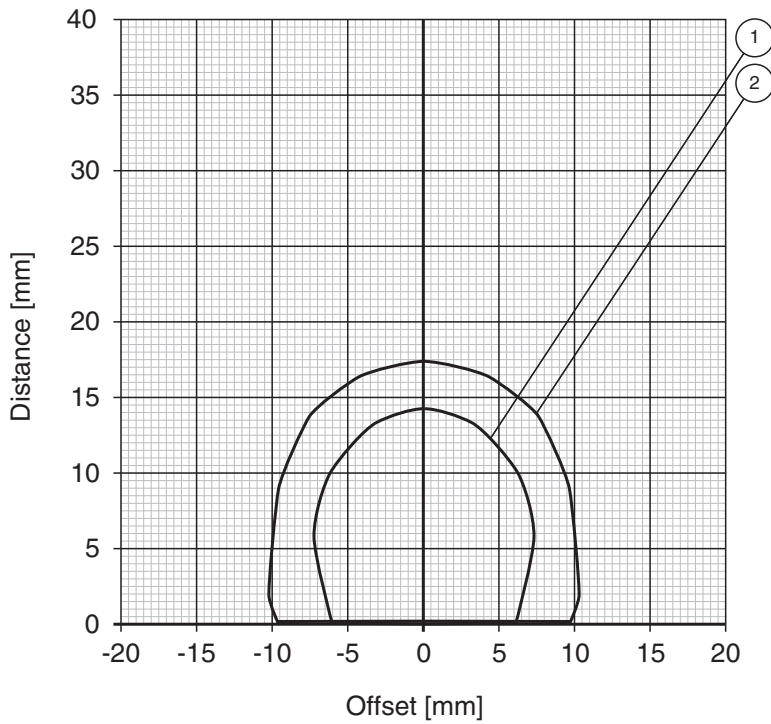
Pepperl+Fuchs Group  
www.pepperl-fuchs.com

USA: +1 330 486 0001  
fa-info@us.pepperl-fuchs.com

Germany: +49 621 776 1111  
fa-info@de.pepperl-fuchs.com

Singapore: +65 6779 9091  
fa-info@sg.pepperl-fuchs.com

Reading range mounted flush in steel IPC03-16GK



Release date: 2021-10-01 Date of issue: 2021-10-01 Filename: 119466\_eng.pdf

Refer to "General Notes Relating to Pepperl+Fuchs Product Information".

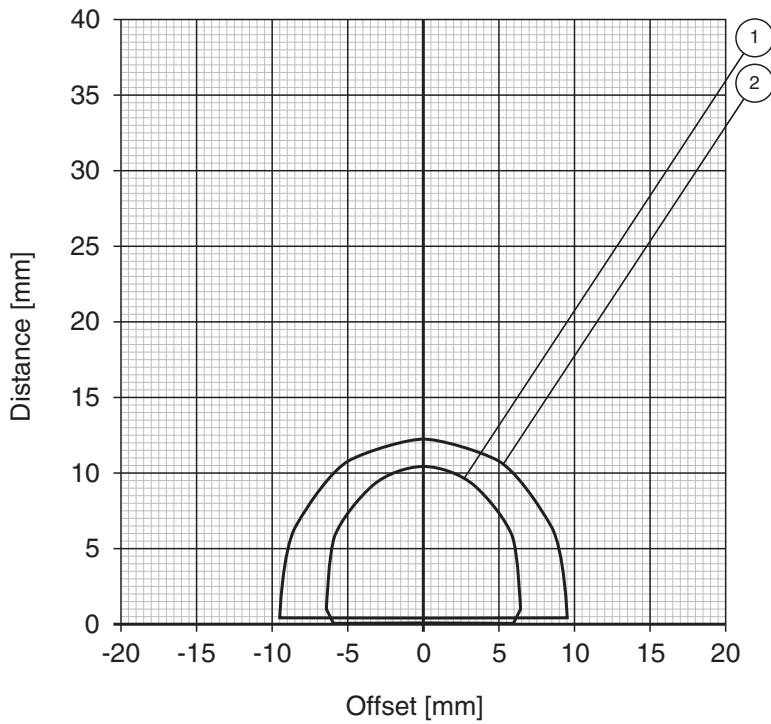
Pepperl+Fuchs Group  
www.pepperl-fuchs.com

USA: +1 330 486 0001  
fa-info@us.pepperl-fuchs.com

Germany: +49 621 776 1111  
fa-info@de.pepperl-fuchs.com

Singapore: +65 6779 9091  
fa-info@sg.pepperl-fuchs.com

Writing range mounted flush in steel IPC03-16GK



- |               |             |              |              |
|---------------|-------------|--------------|--------------|
| ① IPH-18GM-V1 | ③ IPH-F61   | ⑤ IPH-FP-V1  | ⑦ IPT1-FP-V1 |
| ② IPH-30GM-V1 | ④ IPH-L2-V1 | ⑥ IPH-F15-V1 |              |

Release date: 2021-10-01 Date of issue: 2021-10-01 Filename: 119466\_eng.pdf

## Mounting

The surface containing the text must face the read/write head.

Release date: 2021-10-01 Date of issue: 2021-10-01 Filename: 119466\_eng.pdf

Refer to "General Notes Relating to Pepperl+Fuchs Product Information".

Pepperl+Fuchs Group  
www.pepperl-fuchs.com

USA: +1 330 486 0001  
fa-info@us.pepperl-fuchs.com

Germany: +49 621 776 1111  
fa-info@de.pepperl-fuchs.com

Singapore: +65 6779 9091  
fa-info@sg.pepperl-fuchs.com

 **PEPPERL+FUCHS**