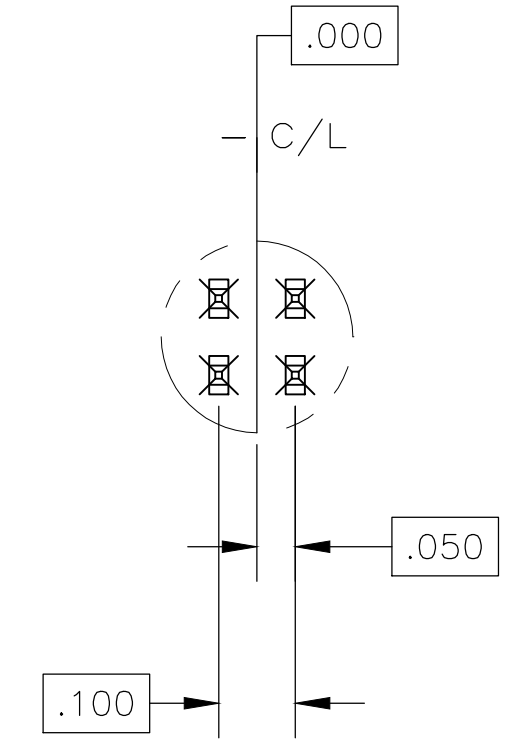
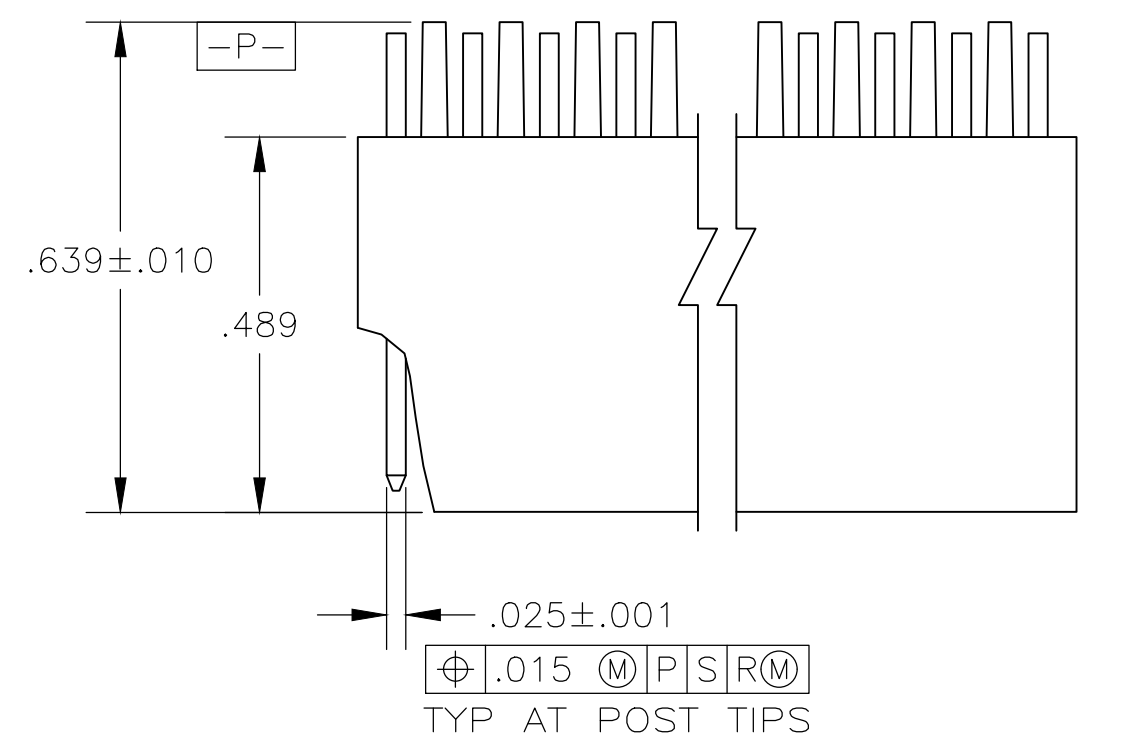


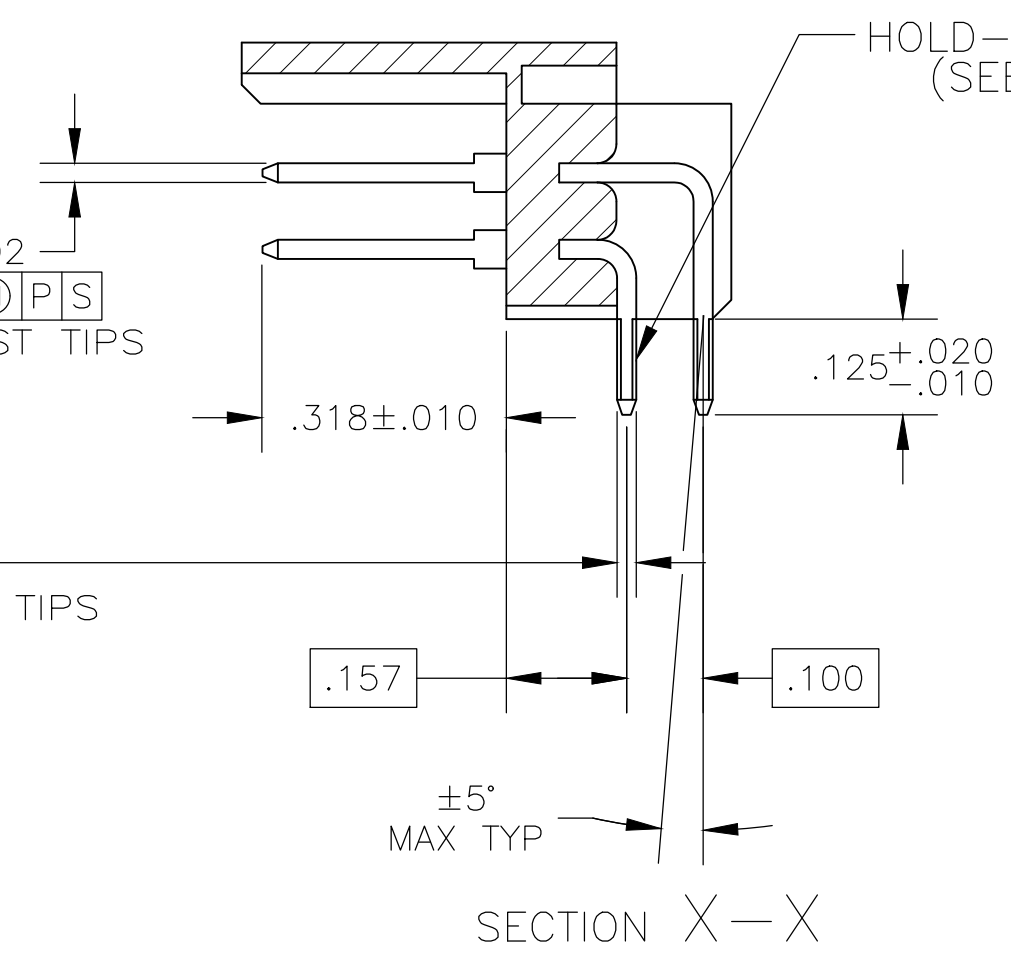
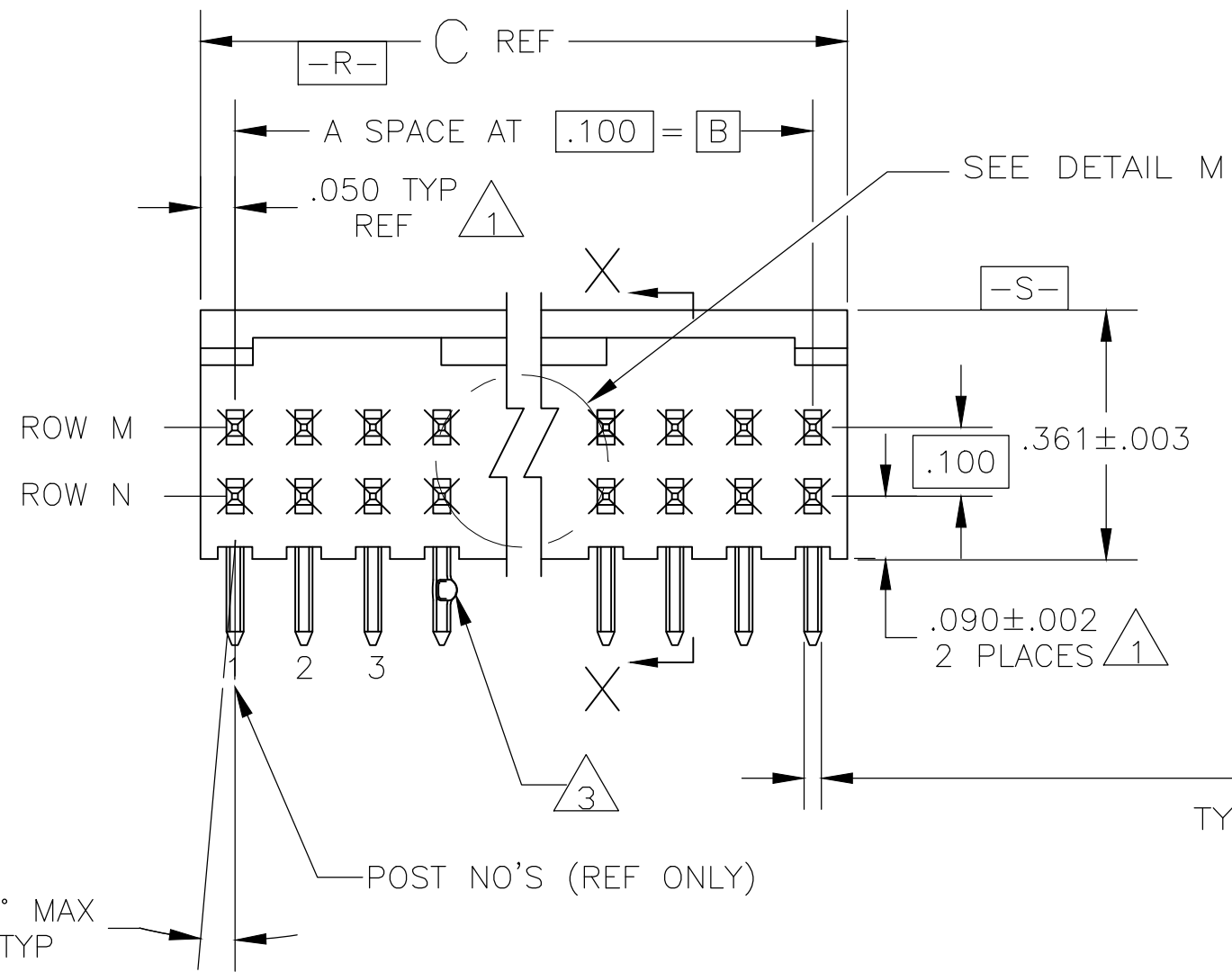
THIS DRAWING IS UNPUBLISHED. RELEASED FOR PUBLICATION
 © COPYRIGHT - TE Connectivity Ltd. ALL RIGHTS RESERVED.

REVISIONS					
P	LTR	DESCRIPTION	DATE	DWN	APVD
H1		PART STATUS UPDATED IN PART LIST TABLE	16FEB2018	SD	PS

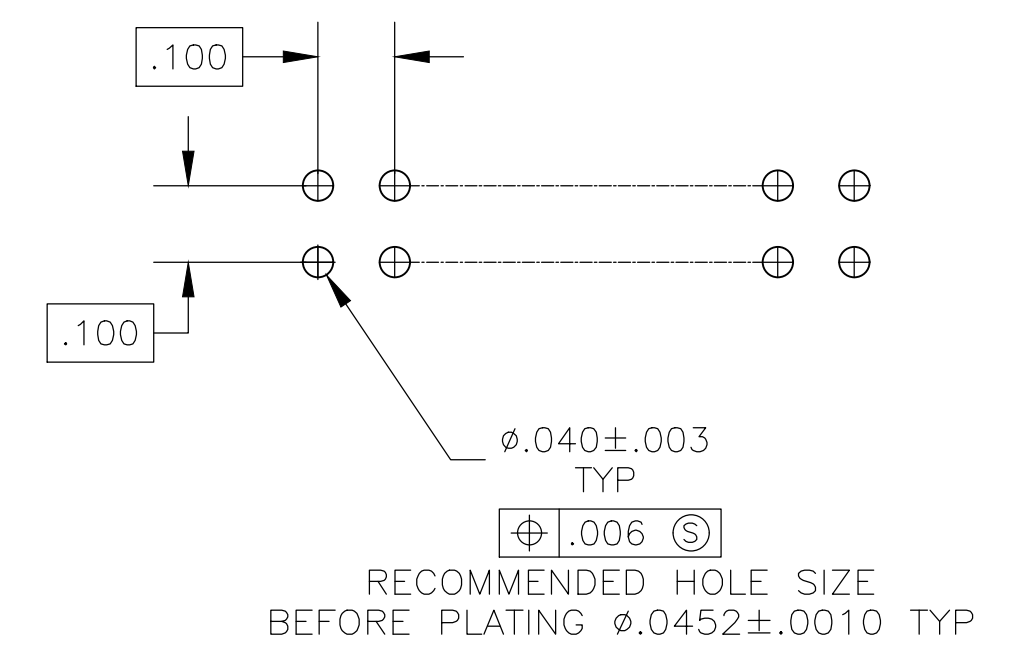


DETAIL M
 BASIC DIMENSION FOR
 ODD NUMBER OF SPACES.

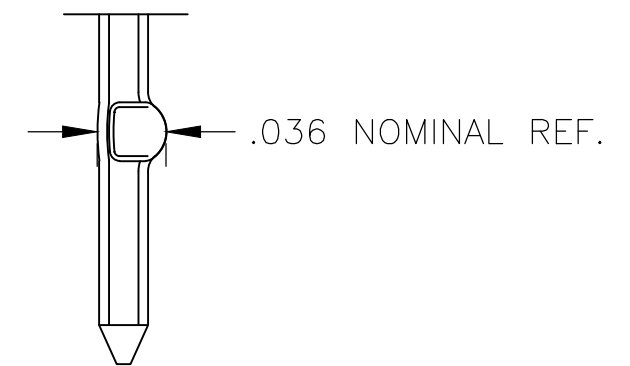
- 1 THE NOTED DIMENSION APPLIES AT THE INTERSECTION OF THE POST AND HOUSING
- 3 SELECTIVE POSTS ARE FORMED TO PROVIDE CONNECTOR RETENTION TO PC BOARD UNTIL SOLDERED. RETENTION FEATURE IS FOR .055 MINIMUM PC BOARD THICKNESS. SEE DETAIL Z FOR FORM AND TABLE FOR LOCATIONS.
- 4 FINISH: POSTS: .000100-.000200 BRIGHT TIN-LEAD OVER .000050 NICKEL ON ENTIRE POST.
- 5 FINISH: POSTS: .000100-.000200 MATTE TIN OVER .000050 NICKEL ON ENTIRE POST.
- 6 OBSOLETE



SECTION X-X



RECOMMENDED HOLE LAYOUT



DETAIL Z
 POST DETAIL TYP
 2 POST MINIMUM
 SCALE 10:1

5	2,3,6,7	-	.795	.700	7	16	5-104421-1
4	2,3,6,7	-	.795	.700	7	16	-104421-1
PLATING	ROW N	ROW M	C	B	A	NO OF POS	ASSEMBLY PART NUMBER
	HOLD-DOWN POST CONFIG LOCATIONS						

THIS DRAWING IS A CONTROLLED DOCUMENT. DWN: SCOTT A. SHUEY 7-6-88
 CHK: R. FEIDI 10-6-88
 APVD: R. FEIDI 10-6-88
 PRODUCT SPEC: -
 APPLICATION SPEC: -
 WEIGHT: -
 MATERIAL: HOUSING: FLAME RETARDANT THERMOPLASTIC COLOR - BLACK
 FINISH: SEE TABLE

TE Connectivity

NAME: HDR ASSY, MODU II, DR, .100 X .100 CL RT ANGLE, (1) SIDED SHROUD W/ HOLD DOWN
 SIZE: A2 CAGE CODE: 00779 DRAWING NO: C=104421 RESTRICTED TO: -
 SCALE: 4:1 SHEET: 1 OF 1 REV: H1