

Data sheet

E-DAT Industry IP67 V6 plug

Page 1/7

P/N

130906-03-E

EAN 4250184105381

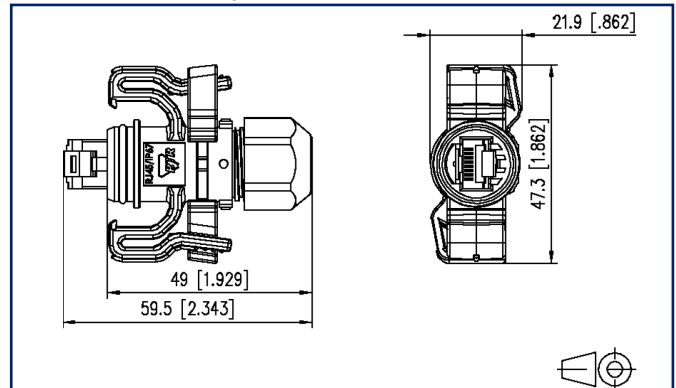
2023/04/05

Version: AK

Illustrations



Dimensional drawing



See enlarged drawings at the end of document

Product specification

- Cat.6 class E_A plug in plug housing according to standard IEC 61076-3-106 Var. 6
- compliance with class E_A according to ISO/IEC 11801, DIN EN 50173-1
- suitable for 10 GBit Ethernet(IEEE 802.3an) and Remote Powering(PoE, PoE plus and UPoE) and HDBaseT
- complies with ingress protection IP67 when plugged in
- AWG 27/7 - 24/7 and AWG 24/1 connection possible
- solid copper wire diameter from 0.36 to 0.51 mm
- stranded copper wire diameter from 0.46 to 0.61 mm
- conductor diameter from 0.85 to 1.05 mm
- cable jacket diameter 5.5 to 6.2 mm can be connected
- large 360° shield contact
- locking clip can also be upgraded in its installed state
- protected against unintentional opening by means of locking clip (also colored)
- crimping of the internal and external conductors with professional crimp pliers in one process
- professional crimping tool available in the tools section



P | Cabling

Data sheet

Page 2/7

E-DAT Industry IP67 V6 plug

P/N

130906-03-E

EAN 4250184105381

2023/04/05

Version: AK

Technical Data

General Data

| | |
|---|-----------------------------------|
| Fields of application | Industrial Ethernet |
| Mechanical measurement according to MICE | M1 |
| Ingress measurement according to MICE | I1 |
| Climatic measurement according to MICE | C1 |
| Electromagnetic measurement according to MICE | E2 |
| Design | plug |
| Transmission technology | Copper |
| Color | light gray |
| Dimensions | |
| Dimension (L x W x H) | 59.5 mm x 47.3 mm x 21.9 mm |
| Dimension (L x W x H) | 2.343 in. x 1.862 in. x 0.862 in. |
| Labeling option | on housing |

Transmission characteristics

| | |
|---------------------------------|----------------|
| Category (ISO) | 6 |
| Class (ISO/IEC) | E _A |
| Category (TIA) | 6 |
| Remote Powering | yes |
| PoE | IEEE 802.3af |
| PoE plus | IEEE 802.3at |
| UPoE | yes |
| HDBaseT | yes |
| Transmission rate up to 10 GBit | IEEE 802.3an |

Connections/interfaces

| | |
|--|----------------|
| Connector technology interface 1 | IDC-connection |
| Connector technology interface 2 | RJ45 plug |
| Number of ports interface 2 | 1 |
| Number of ports interface 2 equipped | 1 |
| Number of positions/contacts interface 1 | 8 |
| Number of positions/contacts interface 2 | 8P/8C |
| Protective housing interface 1 | V6 |
| Protective housing interface 2 | V5 |



P | Cabling

Data sheet

Page 3/7

E-DAT Industry IP67 V6 plug

P/N

130906-03-E

EAN 4250184105381

2023/04/05

Version: AK

Technical Data

Connections/interfaces

Termination data, solid wire (min. - max.)

| | |
|--|-----------------------|
| Conductor cross section, solid wire | AWG 24/1 |
| Conductor cross section, solid wire | 0.205 mm ² |
| Conductor diameter, solid wire (bare copper) | 0.511 mm |
| Conductor diameter, solid wire (bare copper) | 0.02 in. |

Termination data, stranded wire (min. - max.)

| | |
|---|---|
| Conductor cross section, stranded wire | AWG 27/7 - AWG 24/7 |
| Conductor cross section, stranded wire | 0.111 mm ² - 0.227 mm ² |
| Conductor diameter, stranded wire (bare copper) | 0.457 mm - 0.61 mm |
| Conductor diameter, stranded wire (bare copper) | 0.018 in. - 0.024 in. |

Aderdurchmesser (min.-max.)

| | |
|---|----------------------|
| Core diameter (conductor with insulation) | 0.85 mm - 1.02 mm |
| Core diameter (conductor with insulation) | 0.033 in. - 0.04 in. |

Cable sheath diameter (min. - max.)

| | |
|-----------------------|-------------------|
| Cable sheath diameter | 5.5 mm - 6.20 |
| Cable sheath diameter | 0.217 in. - 0.244 |

Cable access/outlet 180°

Electrical characteristics

| | |
|---|----------------|
| Contact resistance | max. 20 mOhm |
| Insulation resistance | min. 500 MOhm |
| Dielectric strength conductor-conductor (secondary) | min. 1000 V DC |

Mechanical data

Locking method (protective housing) locking clamp

Materials and material properties

| | |
|------------------------------------|--------------------------------|
| Material - Housing | PC UL94 V0 |
| Material - Protective housing | PA 6.6 UL94 V0 |
| Material - Contact | PhBr (phosphor bronze) |
| Material - Contact finish | Ni + Au (nickel-gold) |
| Material - Shield | CuZn |
| Material - Shield finish | Ni (nickel) |
| Material - Protective housing seal | NBR (nitrile butadiene rubber) |

P | Cabling

Data sheet

Page 4/7

E-DAT Industry IP67 V6 plug

P/N

130906-03-E

EAN 4250184105381

2023/04/05

Version: AK

Technical Data

Materials and material properties

| | |
|--------------------|------------|
| Material - Cap nut | PA UL94 V0 |
| Halogen free | yes |
| RoHS | compliant |

Environmental conditions

| | |
|----------------------------|------------------------------|
| Temperature (min. - max.) | |
| Temperature - Storage °C | -40 °C - 70 °C |
| Temperature - Storage °F | -40 °F - 158 °F |
| Temperature - Operating °C | -40 °C - 70 °C |
| Temperature - Operating °F | -40 °F - 158 °F |
| Particulate ingress | IP6X with protective housing |
| Liquid ingress/immersion | IPX7 with protective housing |

General information
This product is suitable for use in industrial environments inside buildings with IPxy protection class according to DIN EN 60529 specified in this data sheet. Not specified for outdoor applications.

Approvals

| | | |
|----------------------|--|--------------|
| UL listed (file no.) |  | DUXR.E178484 |
|----------------------|--|--------------|

Standards/Regulations

| | |
|--|--|
| Generic cabling systems | |
| General requirements | ANSI/TIA-568-C |
| Office buildings | ISO/IEC 11801 Ed.2.2: 2011-06 DIN EN 50173-2 ANSI/TIA-568-C |
| Industrial area | ISO/IEC 24702 DIN EN 50173-3 ANSI/TIA-1005 |
| Living units | ISO/IEC 15018 DIN EN 50173-4 ANSI/TIA-570-B |
| Connectors for electronic equipment | |
| Rectangular connectors | DIN EN 61076-3-106 |
| Connectors for electronic equipment - Tests and measurements | |
| Degrees of Protection Provided by Enclosures | IEC 60529 |

P | Cabling

Data sheet

Page 5/7

E-DAT Industry IP67 V6 plug

P/N

130906-03-E

EAN 4250184105381

2023/04/05

Version: AK

Technical Data

Standards/Regulations

Interference proof

| | |
|--------------------------------------|--------------------------|
| Immunity for industrial environments | DIN EN 61000-6-2:2006-03 |
|--------------------------------------|--------------------------|

Emission proof

| | |
|--|--------------------------|
| Electromagnetic emission for residential, commercial and light-industrial environments | DIN EN 61000-6-3:2011-09 |
|--|--------------------------|

Classifications

| | |
|----------|----------|
| ETIM 5.0 | EC000766 |
| ETIM 6.0 | EC000766 |
| ETIM 7.0 | EC001121 |
| ETIM 8.0 | EC001121 |
| ETIM 9.0 | EC001121 |

Packing details

| | |
|---------------------------------|------------------------------------|
| Type of packaging | 1 pc(s) / plastic bag |
| Packaging unit - Weight (gram) | 392 g |
| Packaging unit - Weight (pound) | 0.86 lb |
| Packaging dimension | 160 mm x 100 mm x 380 mm |
| Packaging dimension | 6.299 in. x 3.937 in. x 14.961 in. |

P | Cabling

Data sheet

E-DAT Industry IP67 V6 plug

Page 6/7

P/N

130906-03-E

EAN 4250184105381

2023/04/05

Version: AK

Accessories

| P/N | Designation |
|-------------|--|
| 130906-V3-I | Locking clamp for IP67 V6 plug, light gray |
| 130906-V5-I | Locking clamp for IP67 V6 plug, yellow |
| 130906-V6-I | Locking clamp for IP67 V6 plug, blue |
| 130906-V7-I | Locking clamp for IP67 V6 plug, green |
| 130906-V8-I | Locking clamp for IP67 V6 plug, red |
| 130907-E | Crimp pliers for E-DAT Industry IP20 RJ45 plug |

P | Cabling

Data sheet

E-DAT Industry IP67 V6 plug

Page 7/7

P/N

130906-03-E

EAN 4250184105381

2023/04/05

Version: AK

Illustrations

Dimensional drawing

