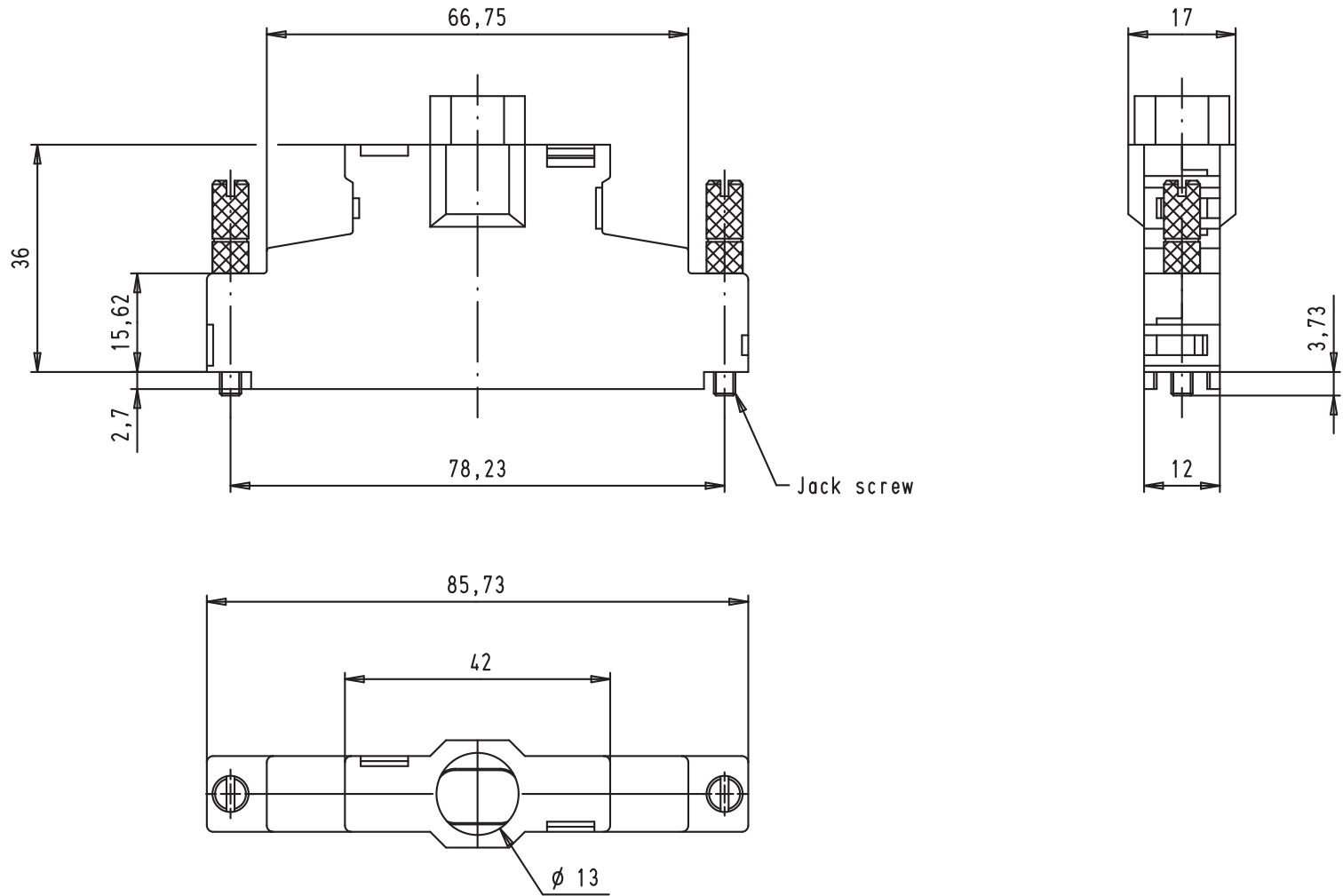




Alle Rechte vorbehalten/ All rights reserved



						 All Dim. in mm Orig. Size DIN A 4	Har-mik Plastic hood with metal insert for IDC pin/socket connector with jack screws	Maßstab/ Scale 1:1	
				Detail.	22/04/09				PK
				Insp.					
				Stand.					
60 03 100 0146	4-40 UNC			EC00338	22/04/09	PK	 TB 60 03 100 014X	Blatt/ Page 1 / 1	
60 03 100 0143	2-56 UNC			Mod.					
Part number	Jack screws thread								Sub. TB 60 03 100 0143 R35278

D  
C  
B  
A

5 4 3 2 1