



ANATECH ELECTRONICS INC
RF & Microwave Filters & Products

**1870-1885 MHz / 1950-1965 MHz
Cavity Duplexer**

Part Number: AE1877-1957DB40B

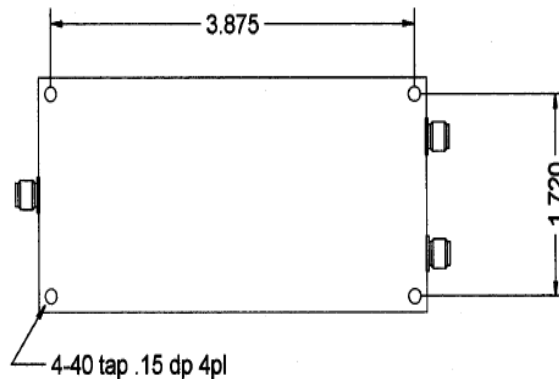
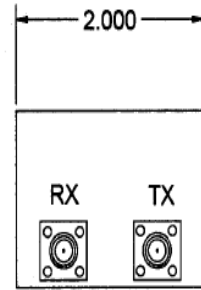
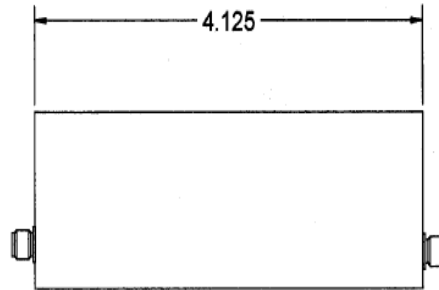
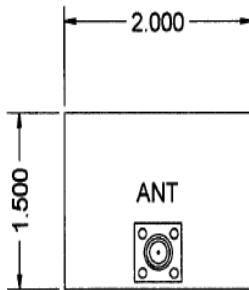


| <u>Characteristics</u> | <u>Band 1</u> | <u>Band 2</u> |
|----------------------------------|---------------|---------------|
| Passband: | 1870-1885 MHz | 1950-1965 MHz |
| Bandwidth: | 15 MHz | 15 MHz |
| Passband Insertion Loss: | ≤ 1.0dB | ≤ 1.0dB |
| Passband Return Loss: | ≥ 18dB | ≥ 18dB |
| Input / Output Impedance: | 50 Ohms | 50 Ohms |
| Isolation: | ≥ 70 dB | ≥ 70 dB |

| <u>Mechanical</u> | |
|------------------------|--------------------------|
| Connector Type: | SMA (F) |
| Dimensions: | 4.125x 2.0 x 2.0 inches. |

| <u>Environmental</u> | |
|-------------------------------|------------------|
| Operating Temperature: | -40 to +70 deg.C |
| Storage Temperature: | -50 to +85 deg.C |

Outline Drawing:





ANATECH ELECTRONICS INC
RF & Microwave Filters & Products

1870-1885 MHz / 1950-1965 MHz Cavity Duplexer

Part Number: AE1877-1957DB40B



Response Plot:

