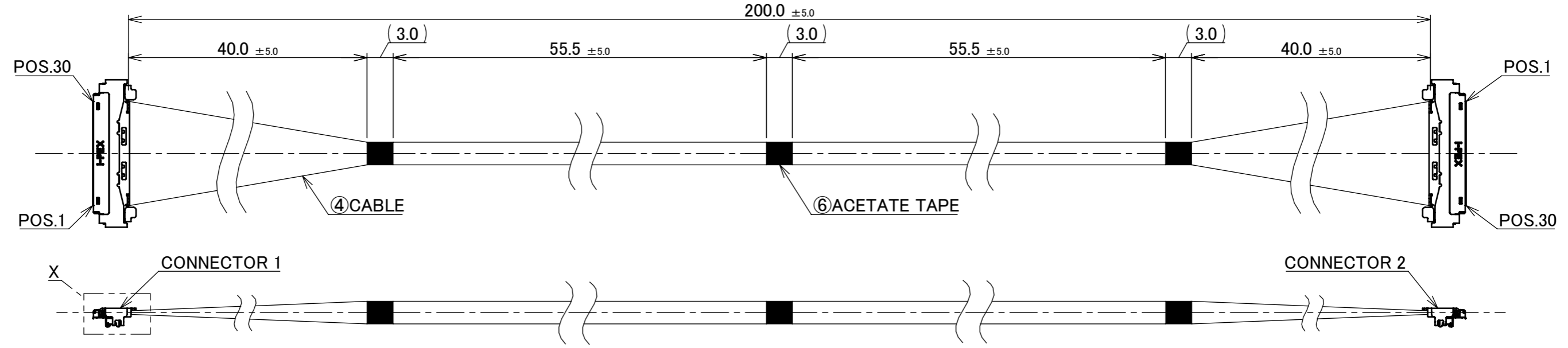
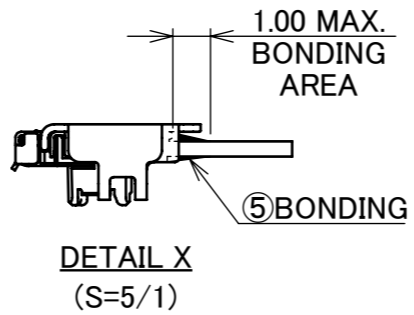
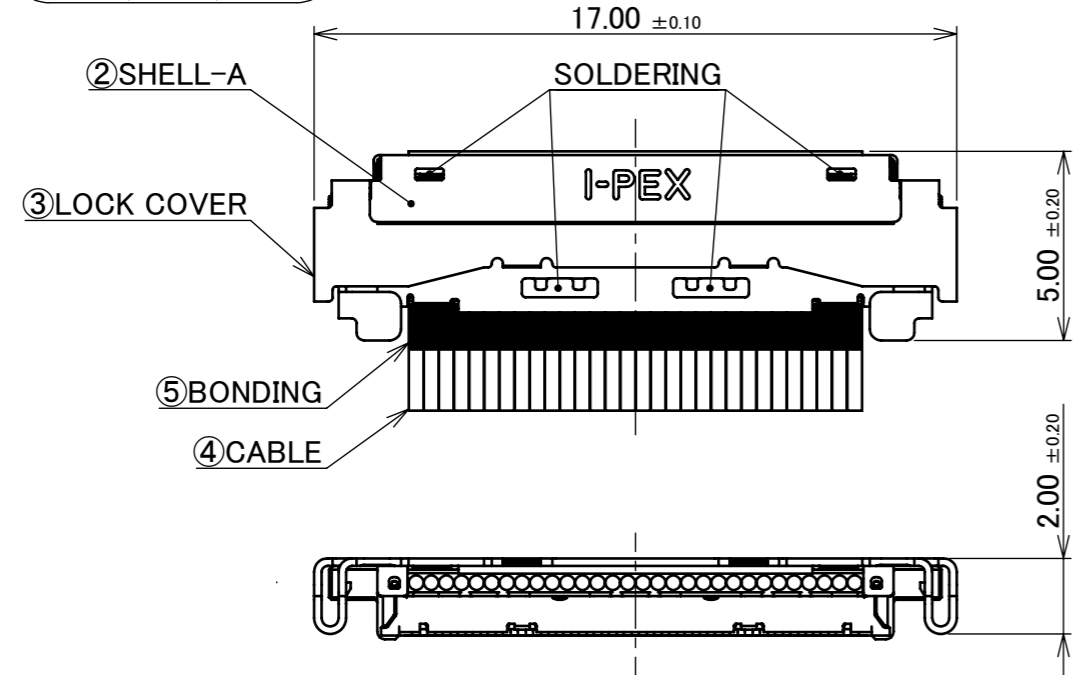


PART No.  
81465-100B-02-D



CONNECTOR 1&2  
(S=5/1)



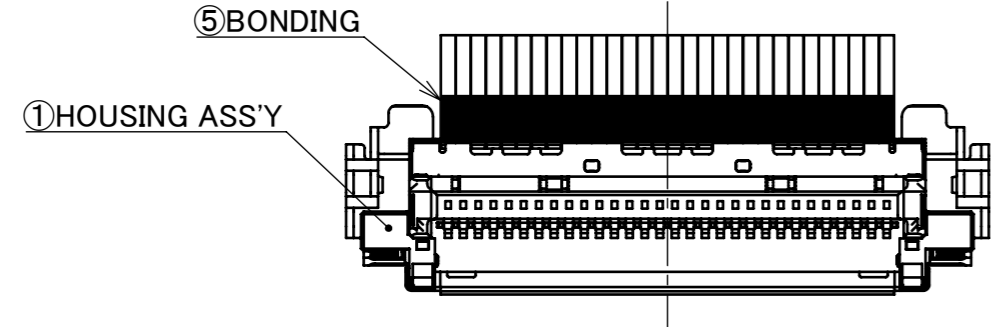
PIN ASSIGNMENT		
CONNECTOR 1	CABLE	CONNECTOR 2
30	MICRO-COAXIAL AWG#40 50 OHM, BLUE	1
29	MICRO-COAXIAL AWG#40 50 OHM, BLUE	2
.	MICRO-COAXIAL AWG#40 50 OHM, BLUE	.
.		.
2	MICRO-COAXIAL AWG#40 50 OHM, BLUE	29
1	MICRO-COAXIAL AWG#40 50 OHM, BLUE	30

NOTE.

1. TO HANDLE THIS CONNECTOR YOU MUST READ AND FOLLOW THE INSTRUCTION MANUAL BELOW. I-PEX INSTRUCTION MANUAL No. HIM-18033.

2. ELECTRIC CHARACTERISTICS  
WITHSTAND VOLTAGE : AC 250V(1SEC.) LEAKAGE CURRENT 2.0mA MAX.  
INSULATION RESISTANCE : 50MΩ MIN. DC 100V (0.5SEC.)

NO.	DESCRIPTION	PARTS NO.	QTY	REMARKS
6	ACETATE TAPE	-	3	BLACK
5	BONDING	-	-	UV GLUE
4	CABLE	-	30	MICRO-COAXIAL AWG #40, 50 OHM, BLUE
3	LOCK COVER	3493-0301	2	CONNECTOR 1&2
2	SHELL-A	3488-0301	2	CABLIN <sup>®</sup> -UM PLUG P/N : 20877-030T-01 CONNECTOR TO BE MATED : 20879-030E-01
1	HOUSING ASS'Y	20878-030T-01	2	



For DIGI-KEY CORPORATION											
				ANGLE	±2°	6 OVER 30 MAX.	±0.3	PROJECTION	SERIES No.	CUSTOMER COPY	
					6 MAX.	±0.2	30 OVER 120 MAX.	±0.5	IH-210016		
				GENERAL TOLERANCE.				TITLE		SCALE	
								CABLIN <sup>®</sup> -UM 30P			2:1
								HARNESS		UNIT	
											mm
0	Z210510	K.B	May/19/'21					DWG. No.		SIZE	
REV.	ECN	BY	DATE	APP.					81465		
REVISION RECORD										SHEET	REV.
				H.Ikari						1/1	0