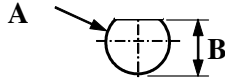
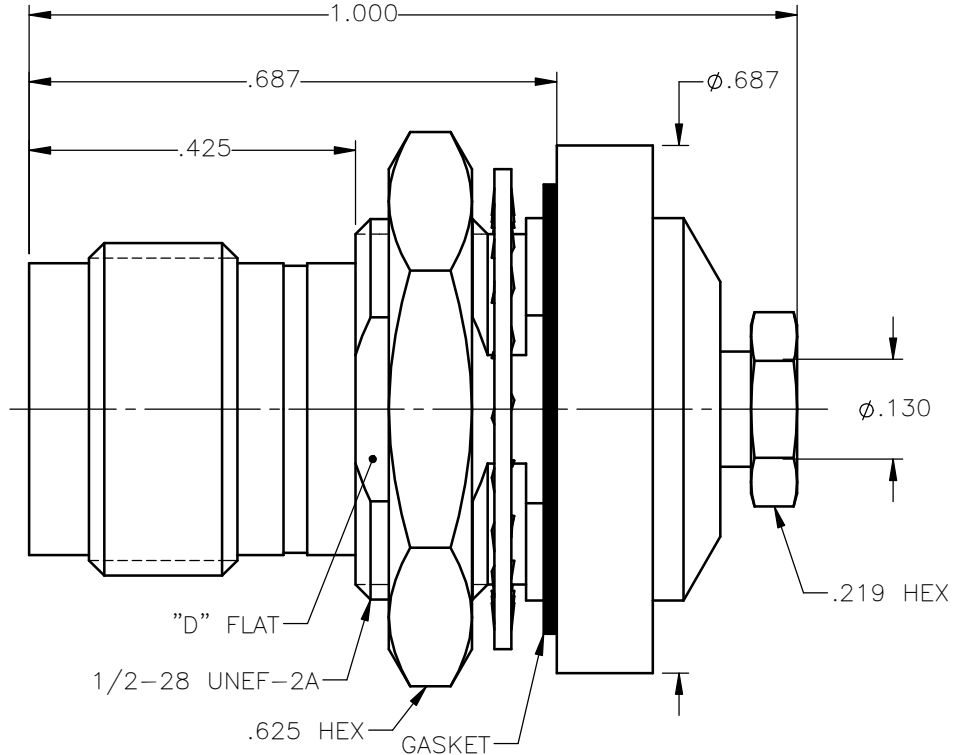


PANEL CUT OUT



inches		
	Maxi	mini
A	.509	.505
B	.475	.471

REVISIONS			
REV.	DESCRIPTION	DATE	APPROVED
A	INITIAL RELEASE	05/07/18	D.N.





NOTES:

MATERIALS:

1. INSULATORS = VIRGIN WHITE TEFLON PER ASTM D1710, GRADE 1, TYPE I, CLASS "B".
2. CONTACT AND FERULE = BERYLLIUM COPPER PER ASTM B196, ALLOY C17300, TEMPER TD04.
3. LOCKWASHER = PHOSPHOR BRONZE PER ASTM B139, COPPER ALLOY C53400, TEMPER H04.
4. GASKET = SILICONE RUBBER 45 - 55 DUROMETER DOW CORNING SILASTIC 250.
5. ALL OTHER METAL PARTS = BRASS PER ASTM B16, ALLOY C36000, TEMPER H02.

FINISHES:

1. CONTACT & WIRE ADAPTER = GOLD PLATE PER ASTM B488-11, TYPE II, 50μin MIN, GRADE C, OVER 100 TO 200μin STRESS FREE SULFAMATE NICKEL PER AMS-QQ-N-290.
2. ALL OTHER METAL PARTS = GOLD PLATE PER ASTM B488-11, TYPE II, 30μin MIN, GRADE C OVER 100 TO 200μin COPPER STRIKE PER AMS 2418.

UNLESS OTHERWISE SPECIFIED DIMENSIONS ARE IN INCHES TOLERANCES ON	DWN:	DATE	 Property of Radiall This document cannot be reproduced or communicated to a third party without prior written permission of RADIALL.			
	D.N.	05/07/18				
DECIMAL	ANGLE	CHKD:	DATE	TNC STRAIGHT JACK BULKHEAD REAR MOUNT CLAMP TYPE FOR RG-316DS & SIMILAR CABLES		
		C.E.	05/07/18			
		APVD:	DATE			
		J.M.	05/07/18			
REFERENCE:	MATERIALS & FINISHES:		SIZE	FSCM NO.	DWG NO.	REV
ORIGINATED: D.N. DATE: 05/07/18	SEE NOTES		A	19505	6001-1051-019	A
			SCALE 4:1	THIRD ANGLE PROJECTION		SHEET 1 OF 1

6001-1051-019