

4

3

2

1

THIS DRAWING IS UNPUBLISHED. RELEASED FOR PUBLICATION 20
 © COPYRIGHT 20 BY TYCO ELECTRONICS CORPORATION. ALL RIGHTS RESERVED.

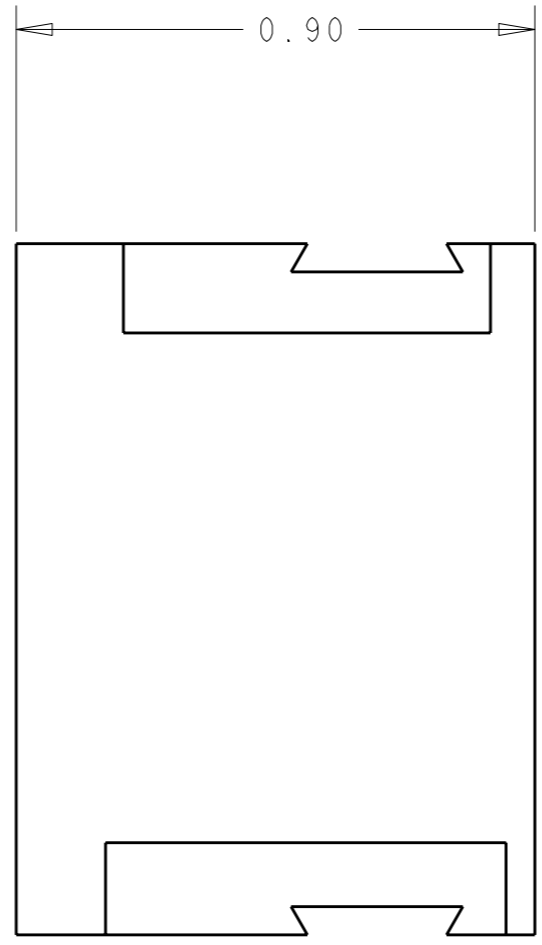
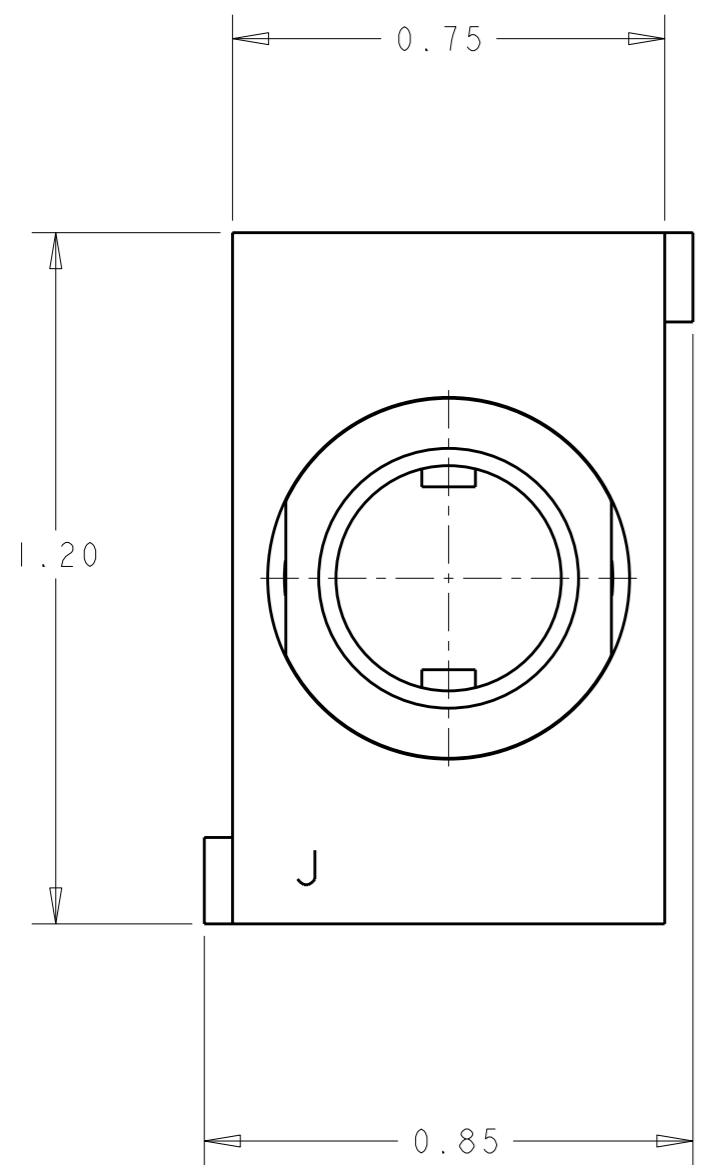
LOC	DIST	REVISIONS					
		P	LTR	DESCRIPTION	DATE	DWN	APVD
-	-		A	NEW RELEASE	23OCT2008	CR	DO

- 1. PART NUMBER CHANGES AND/OR DESIGN CHANGES AFFECTING INTERCHANGEABILITY REQUIRE PRIOR TYCO ELECTRONICS APPROVAL AND AUTHORIZATION BY REVISION TO THIS DRAWING
- 2. ITEMS PROVIDED TO THIS SPECIFICATION TO BE PERMANENTLY IDENTIFIED PER THE FOLLOWING IDENTIFIER LABEL

TYCO ELECTRONICS P/N DATE CODE (e.g. 0106)

YEAR 1 WEEK

XXXXXXXX-X XXXX



AS SHOWN	6650680-1
DESCRIPTION	PART NO.

THIS DRAWING IS A CONTROLLED DOCUMENT FOR TYCO ELECTRONICS CORPORATION
 IT IS SUBJECT TO CHANGE AND THE CONTROLLING ENGINEERING ORGANIZATION
 SHOULD BE CONTACTED FOR THE LATEST REVISION.

DIMENSIONS: INCHES		TOLERANCES UNLESS OTHERWISE SPECIFIED:	
	0 PLC ±-	1 PLC ±-	2 PLC ±.02
	3 PLC ±.010	4 PLC ±-	ANGLES ±.5
MATERIAL	-	FINISH	-

DWN	C. ROHLER	23OCT2008
CHK	D. ORRIS	23OCT2008
APVD	M. PERCHERKE	23OCT2008
PRODUCT SPEC	-	
APPLICATION SPEC	-	
WEIGHT	-	
CUSTOMER DRAWING		

Tyco Electronics Harrisburg, PA 17105-3608		NAME HOUSING, PERPENDICULAR SOCKET SIDE MODULE J DOMINO	
SIZE	CAGE CODE	DRAWING NO	RESTRICTED TO
A3	00779	C-6650680	-
SCALE 3:1		SHEET 1	OF 1 REV A

ELCON DOMINO