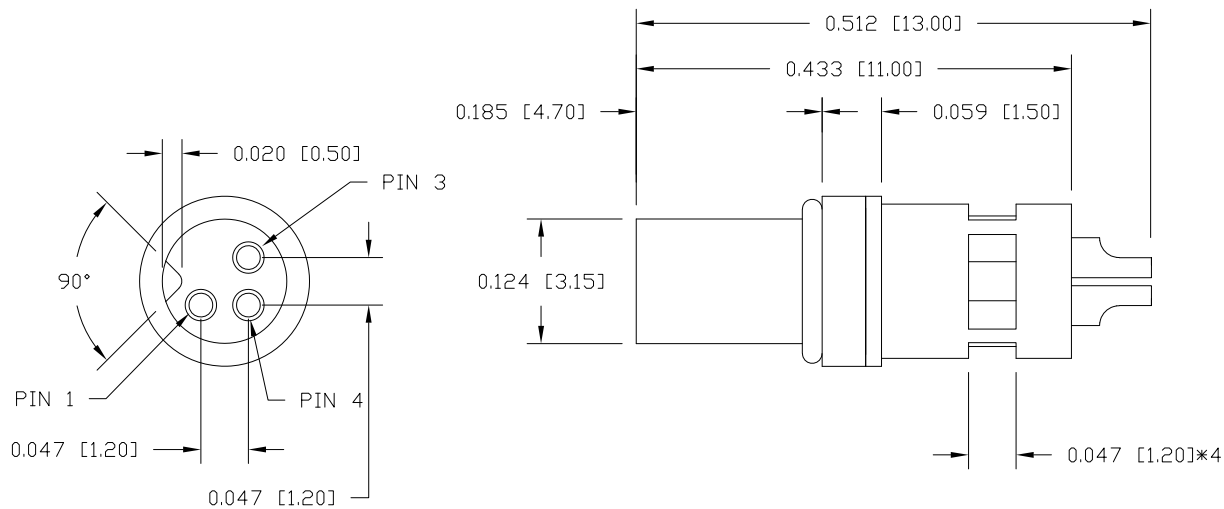


DESCRIPTION: M5 FEMALE - CABLE MOUNT - SOLDER CUP - 3 POSITION - SHIELDED



NOTE:

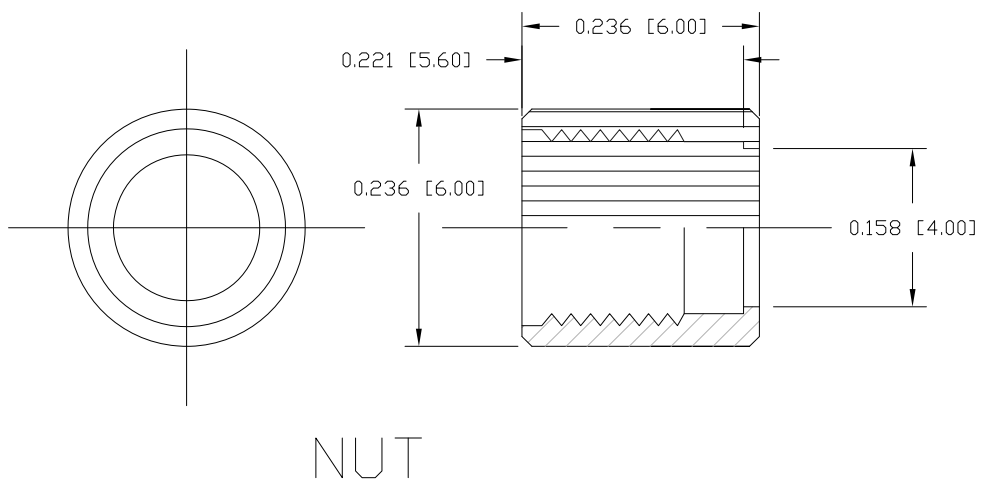
MATERIAL
 HOUSING: TPU, BLACK
 SHELL: BRASS
 CONTACT: BRASS
 NUT: BRASS
 O-RING: NBR, BLACK

FINISH
 SHELL: TIN PLATED
 CONTACT: GOLD PLATED
 OVER 50µ NICKEL
 NICKEL PLATED

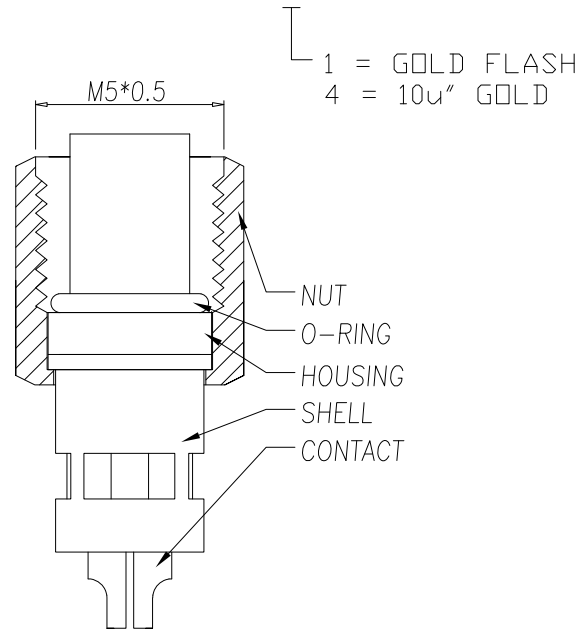
NUT:

ELECTRICAL
 RATED CURRENT: 1A
 RATED VOLTAGE: 60V
 INSULATION RESISTANCE: 100 MΩ MIN.
 CONTACT RESISTANCE: 10 mΩ MAX.
 WATER PROOF: IP67

ENVIRONMENT
 OPERATION TEMPERATURE: -40°C TO +85°C
 WIRE GAUGE: 28 AWG MAX RECOMMENDED



850-003-203RSSY



RoHS COMPLIANT

UNITS = inch [mm]

DO NOT SCALE FROM DRAWING



THESE DRAWINGS AND SPECIFICATIONS ARE THE PROPERTY OF NorComp AND SHALL NOT BE REPRODUCED, COPIED OR USED AS THE BASIS FOR THE MANUFACTURE OR SALE OF APPARATUS WITHOUT WRITTEN PERMISSION.

DRAWN:	DATE:
M. SIGMON	03-03-16

NorComp

SCALE:	SHEET	OF	REV
NTS	1	1	7
DWG NO.		850-003-203RSSY	