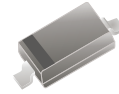


## BAS321-HF

RoHS Device  
Halogen Free

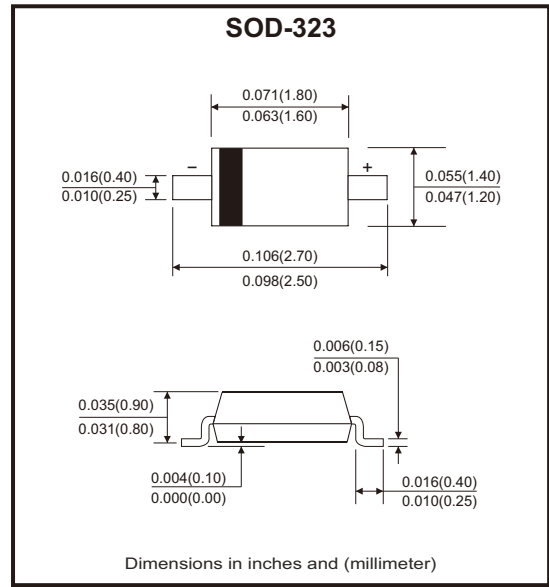


### Features

- Fast switching speed.
- Low leakage current.

### Mechanical data

- Case: SOD-323, molded plastic.
- Terminals: Tin plated leads, solderable per J-STD-002 and JESD22-B102.
- Polarity: Cathode line denotes the cathode end.



### Circuit Diagram



### Maximum Rating (at Ta=25°C unless otherwise noted)

Parameter	Symbol	Value	Unit
Repetitive peak reverse voltage	$V_{RRM}$	250	V
Reverse voltage	$V_R$	200	V
Non-repetitive peak forward surge current @ t=8.3ms, half sine-wave	$I_{FSM}$	2	A
Average forward current	$I_{FAV}$	200	mA
Power dissipation	$P_D$	250	mW
Junction temperature	$T_J$	150	°C
Storage temperature range	$T_{STG}$	-55 to +150	°C

## Electrical Characteristics (at Ta=25°C unless otherwise noted)

Parameter	Symbol	Conditions	Min	Max	Unit
Forward voltage	V <sub>F</sub>	I <sub>F</sub> = 100mA		1.0	V
		I <sub>F</sub> = 200mA		1.25	
Reverse current	I <sub>R</sub>	V <sub>R</sub> = 200V		100	nA
Breakdown voltage	V <sub>R</sub>	I <sub>R</sub> = 10μA	200		V
Diode capacitance	C <sub>D</sub>	V <sub>R</sub> = 0V, f = 1MHz		5	pF
Reverse recovery time	t <sub>rr</sub>	I <sub>F</sub> = I <sub>R</sub> = 30mA, R <sub>L</sub> = 100Ω, I <sub>rr</sub> = 3mA		50	μS

## Typical Rating and Characteristic Curves (BAS321-HF)

Fig.1 - Forward Characteristics

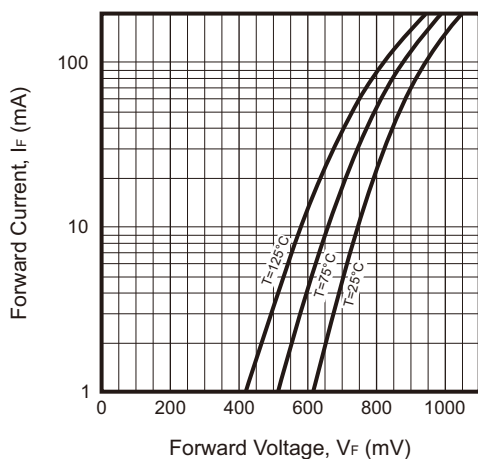


Fig.2 - Reverse Characteristics

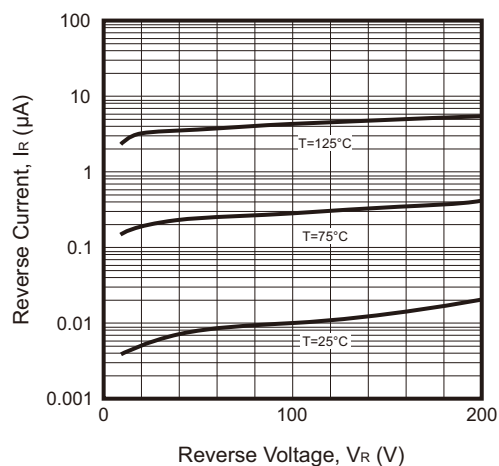
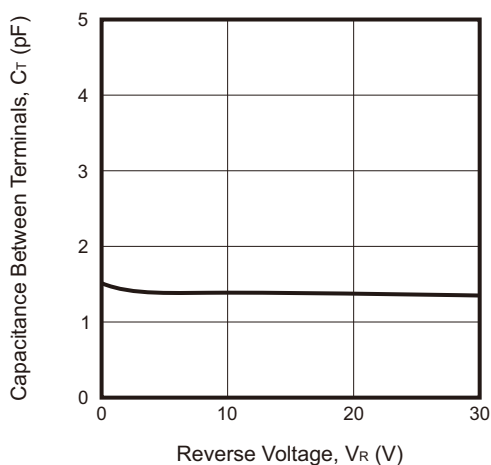
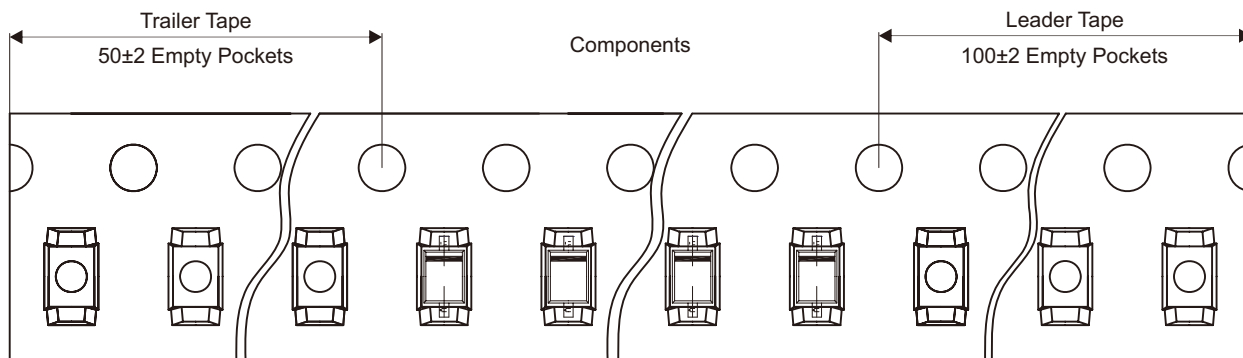
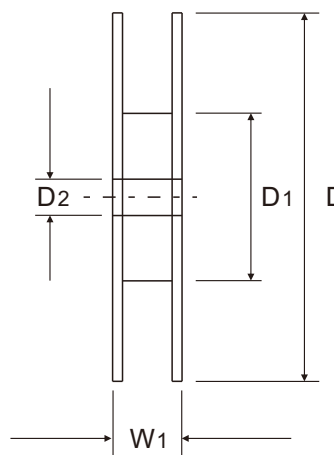
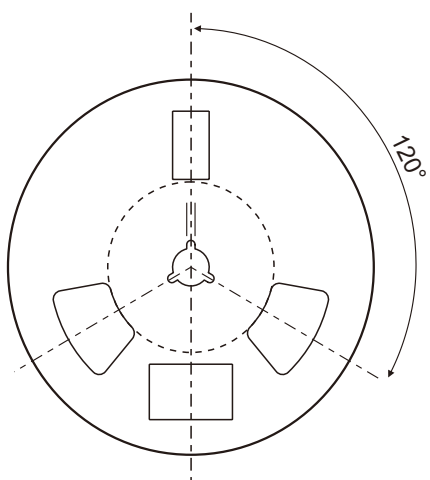
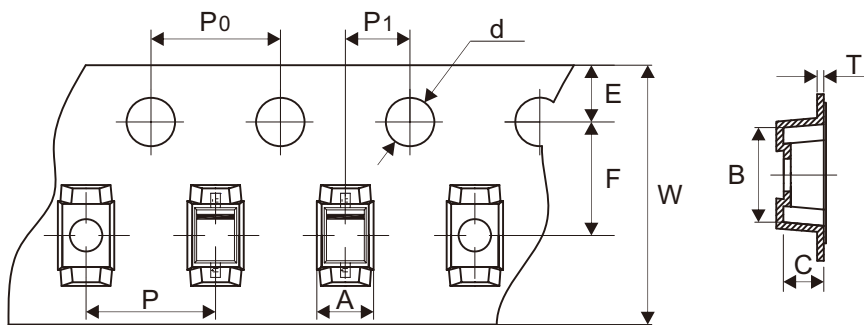


Fig.3 - Capacitance Characteristics



## Reel Taping Specification



SOD-323	SYMBOL	A	B	C	d	D	D1	D2
	(mm)	1.50 ± 0.05	2.90 ± 0.10	1.25 ± 0.10	1.50 + 0.10 - 0.00	178.00 ± 2.00	54.40 ± 1.00	13.00 ± 1.00
	(inch)	0.059 ± 0.002	0.114 ± 0.004	0.049 ± 0.004	0.059 + 0.004 - 0.000	7.008 ± 0.079	2.142 ± 0.039	0.512 ± 0.039

SOD-323	SYMBOL	E	F	P	P0	P1	T	W	W1
	(mm)	1.75 ± 0.10	3.50 ± 0.05	4.00 ± 0.10	4.00 ± 0.10	2.00 ± 0.05	0.254 ± 0.02	8.00 + 0.30 - 0.10	12.30 ± 1.00
	(inch)	0.069 ± 0.004	0.138 ± 0.002	0.157 ± 0.004	0.157 ± 0.004	0.079 ± 0.002	0.010 ± 0.001	0.315 + 0.012 - 0.004	0.484 ± 0.039

## Marking Code

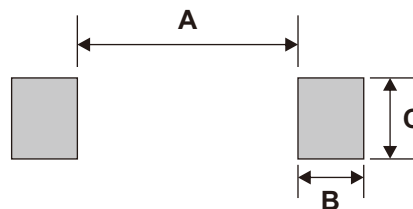
Part Number	Marking Code
BAS321-HF	T3.



█ = Cathode band

## Suggested P.C.B. PAD Layout

SIZE	SOD-323	
	(mm)	(inch)
A	1.88	0.074
B	0.56	0.022
C	0.69	0.027



## Standard Packaging

Case Type	REEL PACK	
	REEL (pcs)	Reel Size (inch)
SOD-323	3,000	7