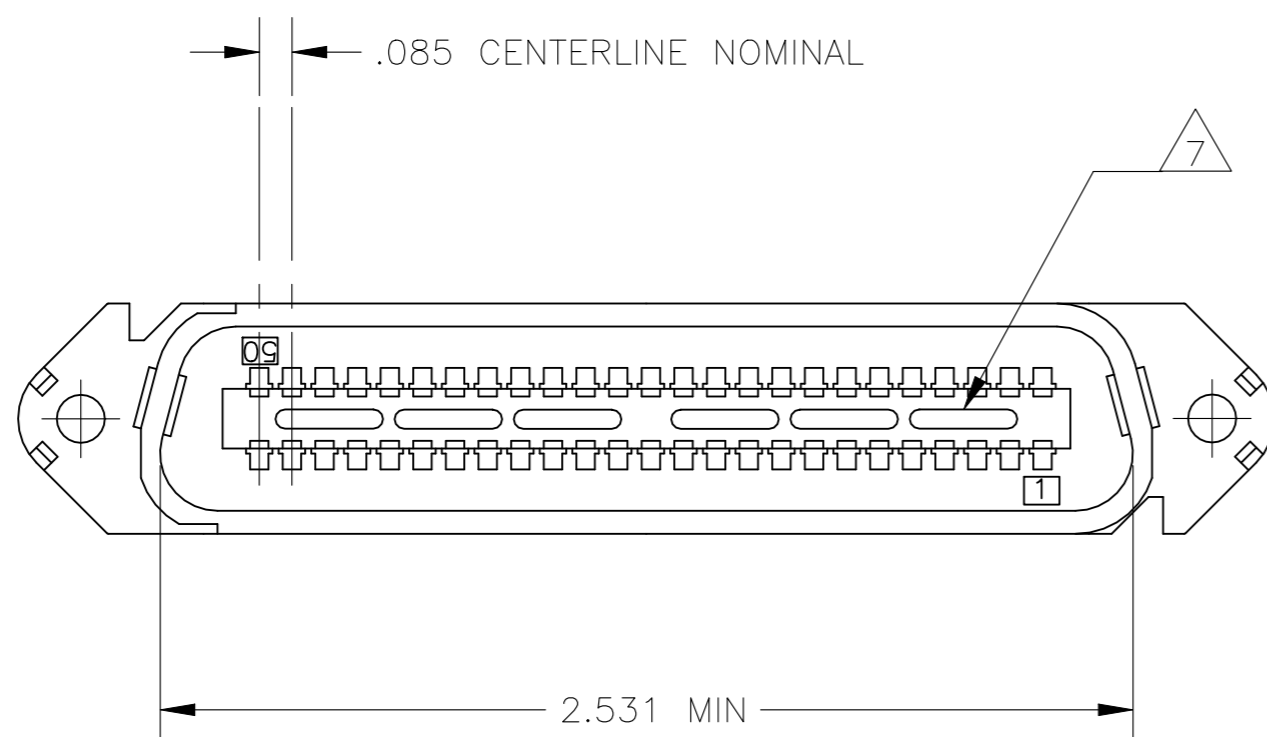
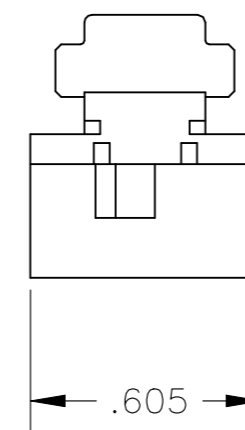
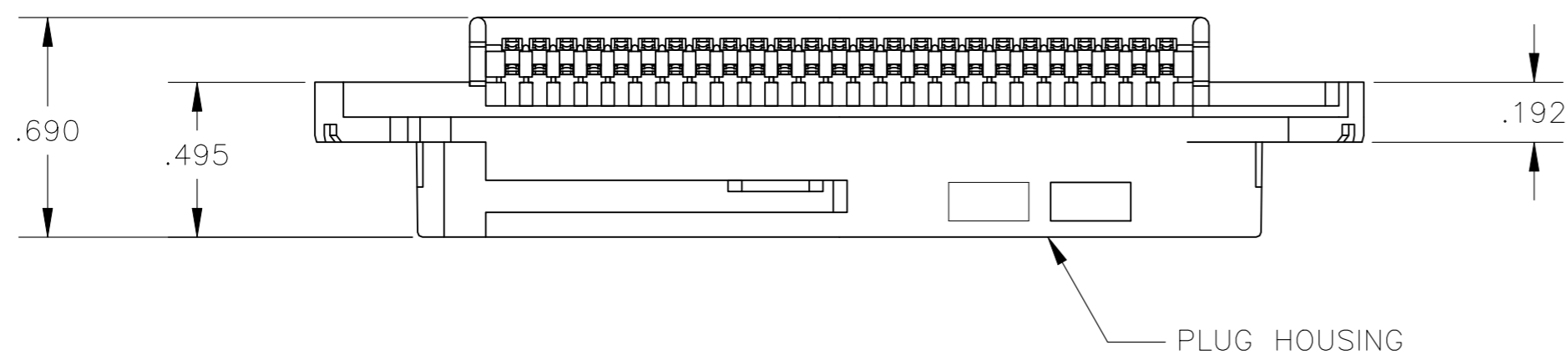
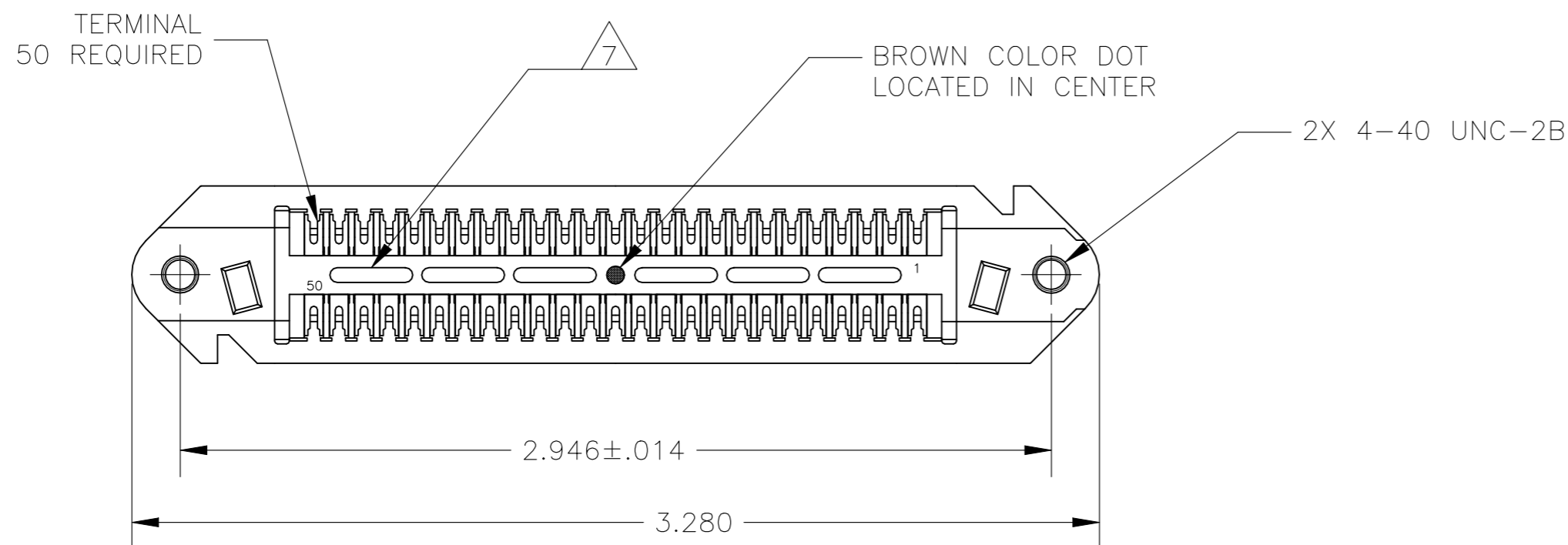


REVISIONS					
P	LTR	DESCRIPTION	DATE	DWN	APVD
A1		REVISED PER ECO-21-002981	03MAR2021	SH	SZ



1. THE CONTACT SURFACES OF THE TERMINALS ARE COATED WITH LUBRICANT.
2. ALL DIMENSIONS SHOWN ARE MAXIMUM UNLESS OTHERWISE SPECIFIED.
3. MATERIAL: HOUSING - POLYPHENYLENE, BLACK.
TERMINALS - PHOSPHOR BRONZE PLATED WITH EITHER .000030 MIN GOLD OR GOLD FLASH OVER PALLADIUM NICKEL .000030 MIN TOTAL ON MATING SURFACE, ALL OVER .000050 MIN NICKEL UNDERPLATE.
4. WIRE SIZE: 22 AWG SOLID OR STRANDED COPPER CONDUCTORS. INSULATION DIAMETER OF .045-.056 IS ACCEPTABLE FOR MOST APPLICATIONS.
5. SEE PRODUCT SPECIFICATION 108-6005 FOR PERFORMANCE SPECIFICATIONS.
6. 100 ASSEMBLIES SHIPPED BULK PACKAGED.
7. CORING MAY OR MAY NOT APPEAR AND IS AT THE DISCRETION OF TYCO ELECTRONICS.

OBSOLETE

556039

B

A

556039-1

PART NUMBER

THIS DRAWING IS A CONTROLLED DOCUMENT.		DWN B.T. HOOTEN 21JUL1988																				
DIMENSIONS: INCHES		CHK B. FOX 25JUL1988																				
TOLERANCES UNLESS OTHERWISE SPECIFIED:		APVD J. TRAMMEL 26JUL1988	NAME PLUG ASSY, 50 POSN, F SLOT SCR LOCK, CHAMP-LOK																			
<table border="0"> <tr><td>0 PLC</td><td>±</td><td>-</td></tr> <tr><td>1 PLC</td><td>±</td><td>-</td></tr> <tr><td>2 PLC</td><td>±</td><td>-</td></tr> <tr><td>3 PLC</td><td>±</td><td>-</td></tr> <tr><td>4 PLC</td><td>±</td><td>-</td></tr> <tr><td>ANGLES</td><td>±</td><td>-</td></tr> </table>		0 PLC	±	-	1 PLC	±	-	2 PLC	±	-	3 PLC	±	-	4 PLC	±	-	ANGLES	±	-	PRODUCT SPEC -	SIZE A2	CAGE CODE 00779
0 PLC	±	-																				
1 PLC	±	-																				
2 PLC	±	-																				
3 PLC	±	-																				
4 PLC	±	-																				
ANGLES	±	-																				
MATERIAL 3		FINISH 3	WEIGHT 0.000000	DRAWING NO C=556039																		
CUSTOMER DRAWING			SCALE 2:1	SHEET 1 OF 1																		
			RESTRICTED TO -	REV A1																		