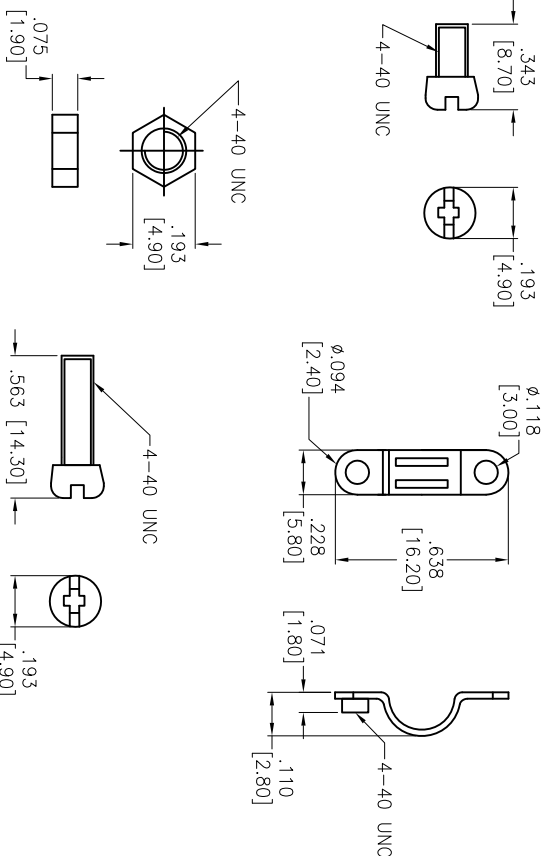
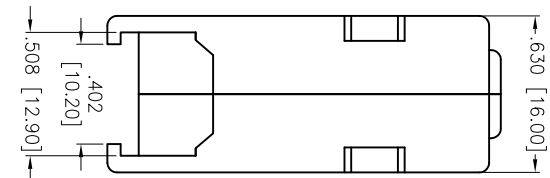
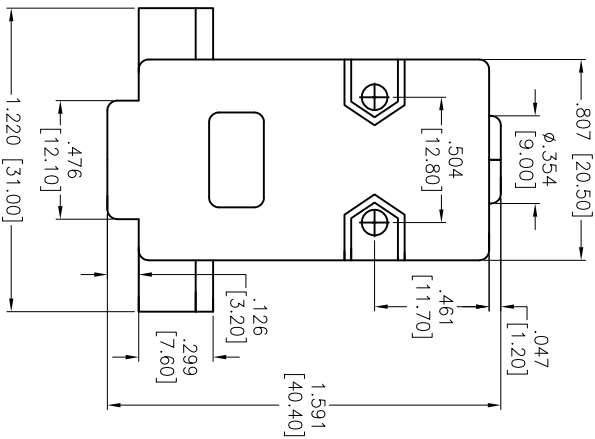
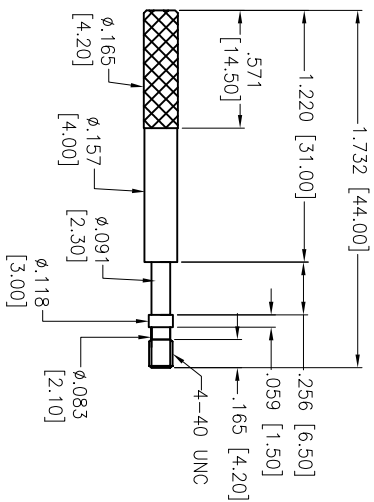
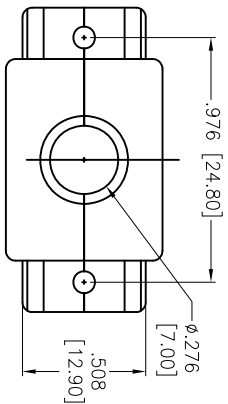


Rev	AWO #	Description	Date	Appr
-		RELEASED	5/22/15	

APPROVED: _____
 DATE: _____ TITLE: _____

DE09-HD-PX-TS



ADAM P/N	HOOD COLOR
DXXX-HD-PB-TS	BLACK PLASTIC
DXXX-HD-PN-TS	CHROME PLASTIC
DXXX-HD-PY-TS	GRAY PLASTIC

UNLESS OTHERWISE SPECIFIED ALL DIMENSIONS ARE INCHES [MM]	
TOLERANCES EXCEPT AS NOTED	
.X	± .10
.XX	± .020
.XXX	± .015
.XXX	± .015
APPROVALS	
DRAWN	HR
CHECKED	LL
APPROVED	

ADAM TECH
 909 Railway Avenue, Union, NJ 07083
 Phone: 908-687-5000 Fax: 908-687-5710

SPECIFICATIONS:
 Material:
 Insulator: ABS, rated UL 94HB
 Hardware color: Black
 Hardware: Steel, Chromate plated
 Environmental:
 Lead free, RoHS compliant



UNLESS OTHERWISE SPECIFIED ALL DIMENSIONS ARE INCHES [MM]	
TOLERANCES EXCEPT AS NOTED	
.X	± .10
.XX	± .020
.XXX	± .015
.XXX	± .015
APPROVALS	
DRAWN	HR
CHECKED	LL
APPROVED	

ADAM TECH
 909 Railway Avenue, Union, NJ 07083
 Phone: 908-687-5000 Fax: 908-687-5710

D-SUB HOOD, THUMB SCREWS

SIZE	PART NO.	REV.
X	DXXX-HD-PX-TS	-

REF.	SCALE	SHEET	OF
S00064T	NIS	1	5

6

5

4

3

2

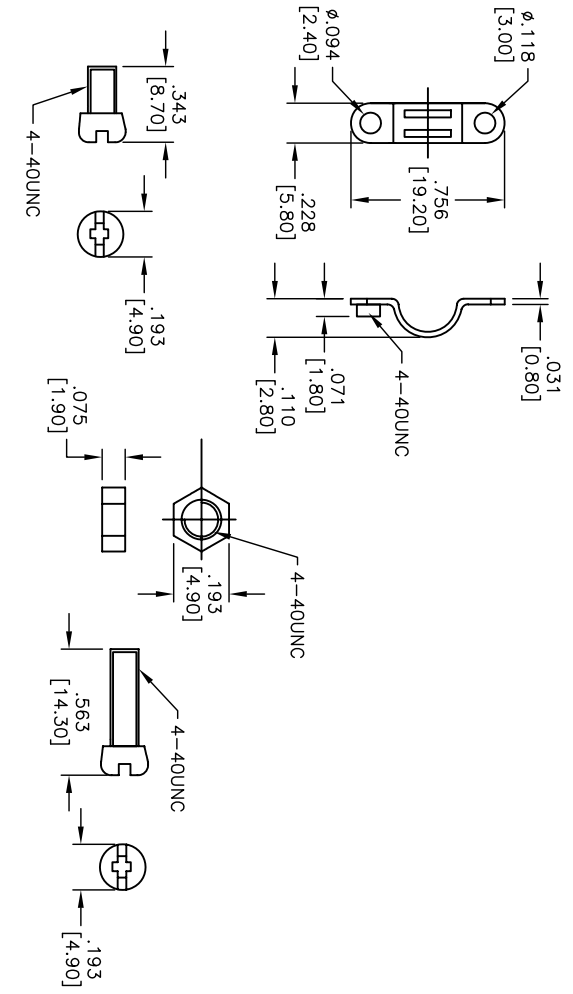
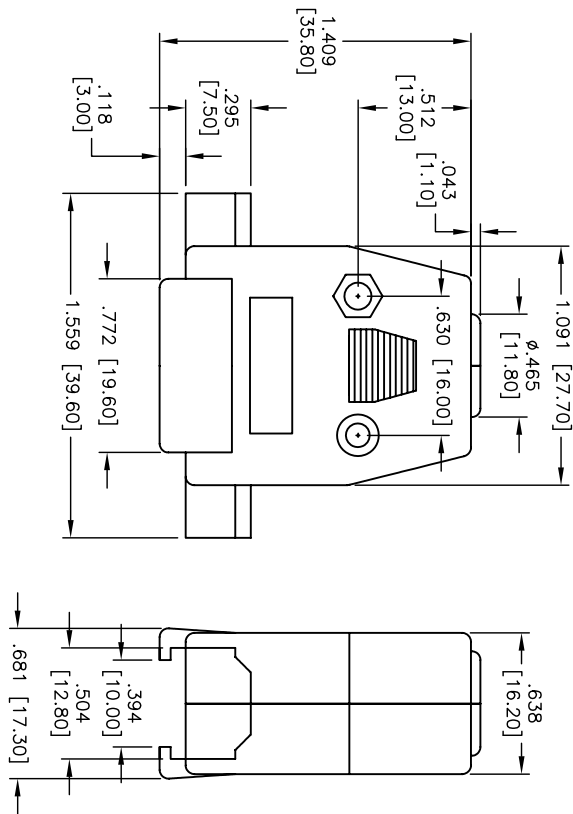
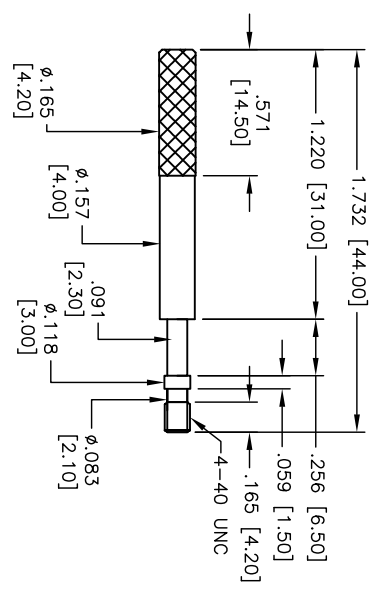
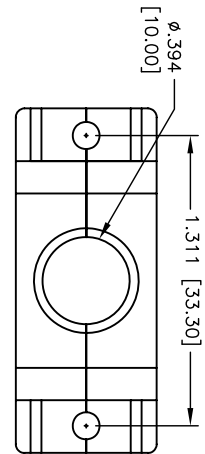
1

Rev	AWO #	Description	Date	Appr
		SEE SH1 1 OF 2 FOR REVISION		

APPROVED: _____

DATE: _____ TITLE: _____

DA15-HD-PX-TS



A

B

C

D

A

B

C

D

UNLESS OTHERWISE SPECIFIED
ALL DIMENSIONS ARE IN INCHES [MM]
TOLERANCES: EXCEPT AS NOTED

INCHES	± .10	ØXX	± .10
HOLES	± .020	ØXXX	± .015
	± .015	ØXXXX	± .010

APPROVALS

DRAWN	HR	DATE
CHECKED	LL	5/22/15
APPROVED		

ADAM TECH
909 Railway Avenue, Union, NJ 07083
Phone: 908-687-5000 Fax: 908-687-5710

TITLE
D-SUB HOOD, THUMB SCREWS

SIZE	PART NO.	REV.
X	DXXX-HD-PX-TS	-
REF:	SCALE: NTS	SHEET 2 OF 5

6

5

4

3

2

1

6

5

4

3

2

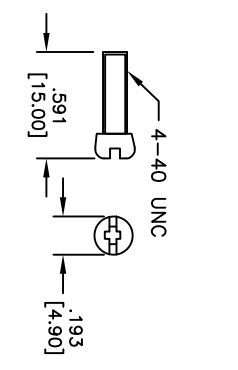
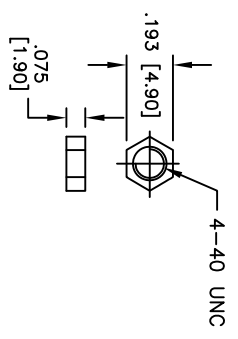
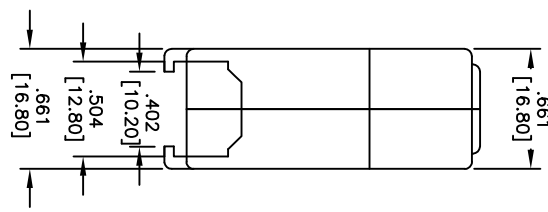
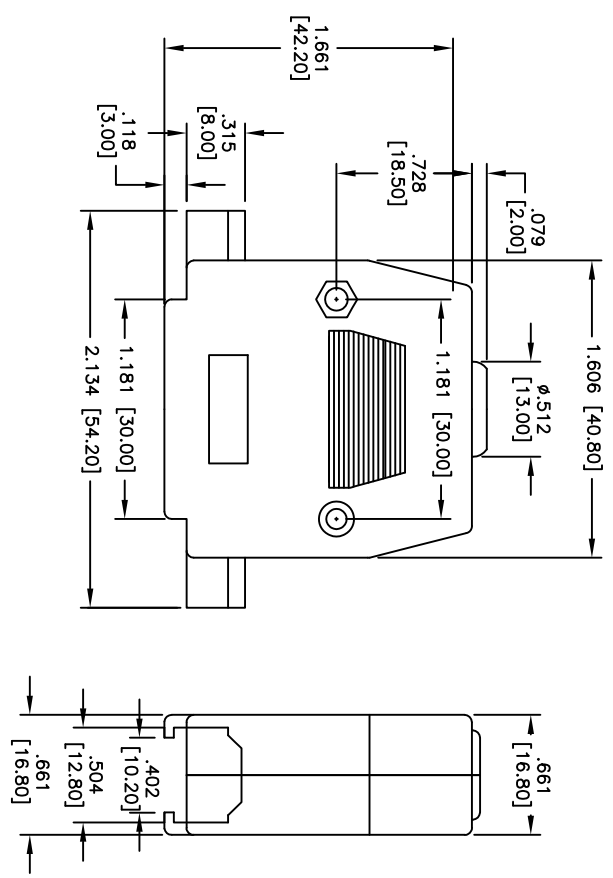
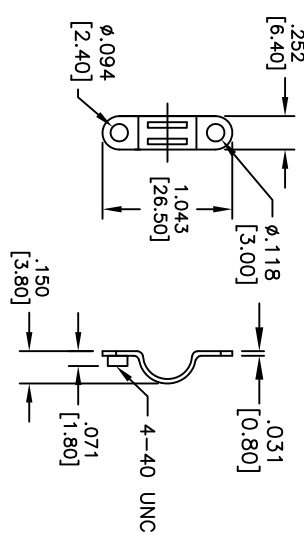
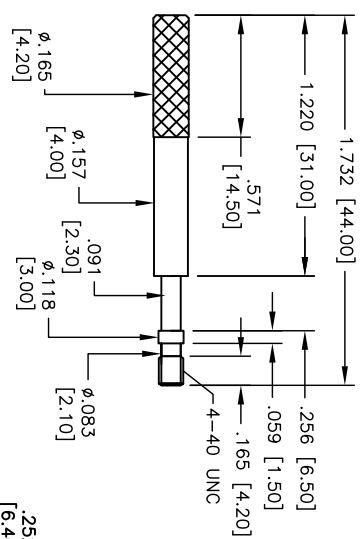
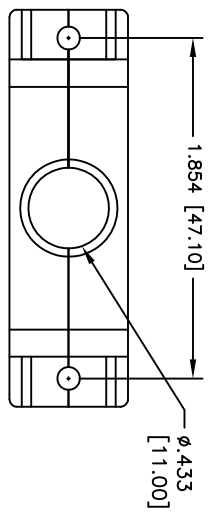
1

Rev	AWO #	Description	Date	Appr
		SEE SH1 1 OF 5 FOR REVISION		

APPROVED: _____

DATE: _____ TITLE: _____

DB25-HD-PX-TS



A

B

C

D

A

B

C

D

UNLESS OTHERWISE SPECIFIED
ALL DIMENSIONS ARE IN INCHES [MM]
TOLERANCES: EXCEPT AS NOTED
INCHES Holes
.X ± .10 ØX ± .10
.XX ± .020 ØXX ± .015
.XXX ± .015 ØXXX ± .010

ADAM TECH
909 Railway Avenue, Union, NJ 07083
Phone: 908-687-5000 Fax: 908-687-5710

D-SUB HOOD, THUMB SCREWS

APPROVALS	DATE	TITLE	SIZE	PART NO.	REV.
DRAWN	HR	5/22/15	X	DXXX-HD-PX-TS	-
CHECKED	LL	5/22/15	X		
APPROVED					

REF:	S000&T	SCALE:	NIS	SHEET	3 OF 5
------	--------	--------	-----	-------	--------

6

5

4

3

2

1

6

5

4

3

2

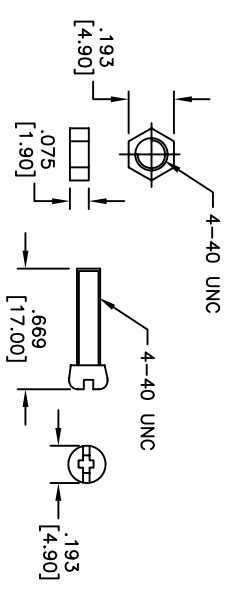
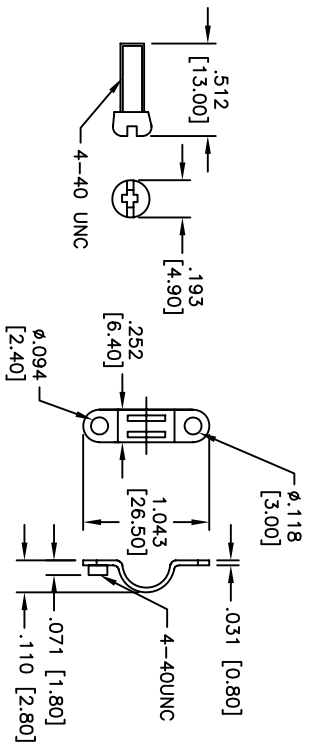
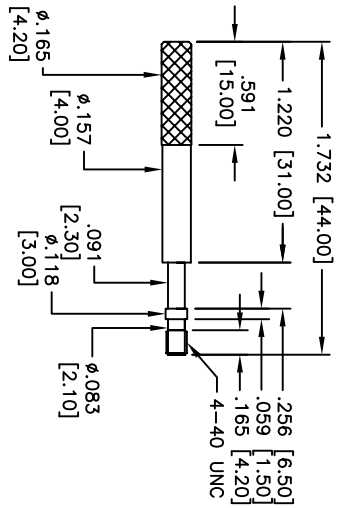
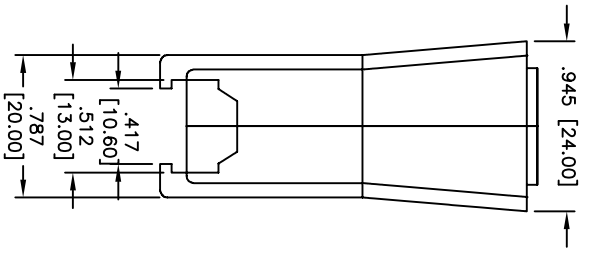
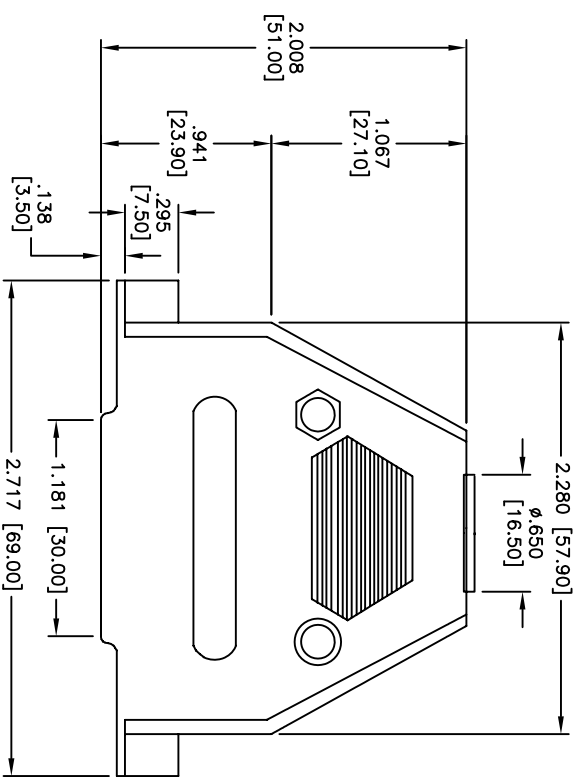
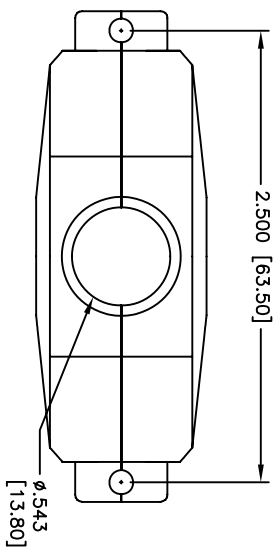
1

Rev	AWO #	Description	Date	Appr
		SEE SH1 1 OF 5 FOR REVISION		

APPROVED: _____

DATE: _____ TITLE: _____

DC37-HD-PX-TS



A

B

C

D

A

B

C

D

6

5

4

3

2

1

UNLESS OTHERWISE SPECIFIED
ALL DIMENSIONS ARE IN INCHES [MM]
TOLERANCES: EXCEPT AS NOTED

INCHES		HOLES	
.X	± .10	ØX	± .10
.XX	± .020	ØXX	± .015
.XXX	± .015	ØXXX	± .010

APPROVALS

DRAWN	AY	DATE	8/14/13
CHECKED	AH	DATE	8/14/13
APPROVED		DATE	

ADAM TECH
909 Railway Avenue, Union, NJ 07083
Phone: 908-687-5000 Fax: 908-687-5710

D-SUB HOOD, THUMB SCREWS

SIZE	PART NO.	REV.
X	DXXX-HD-PX-TS	-
REF:	SCALE: NTS	SHEET 4 OF 5

6

5

4

3

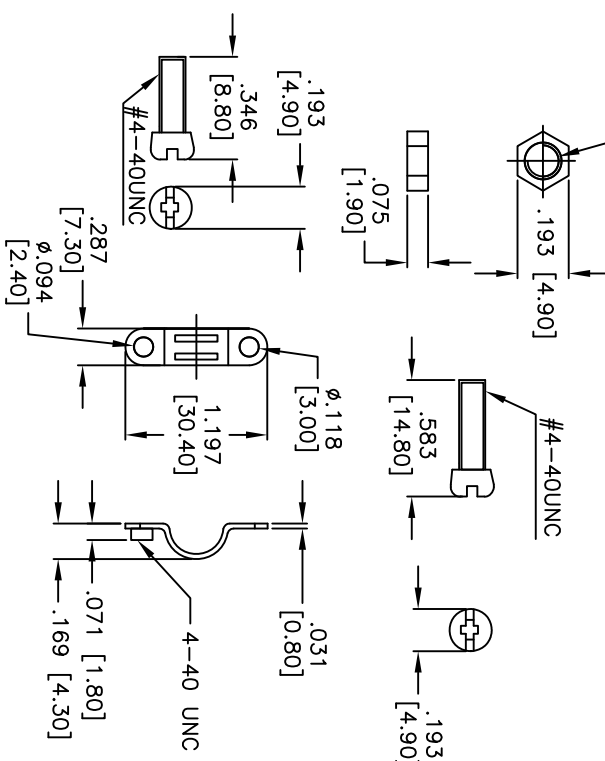
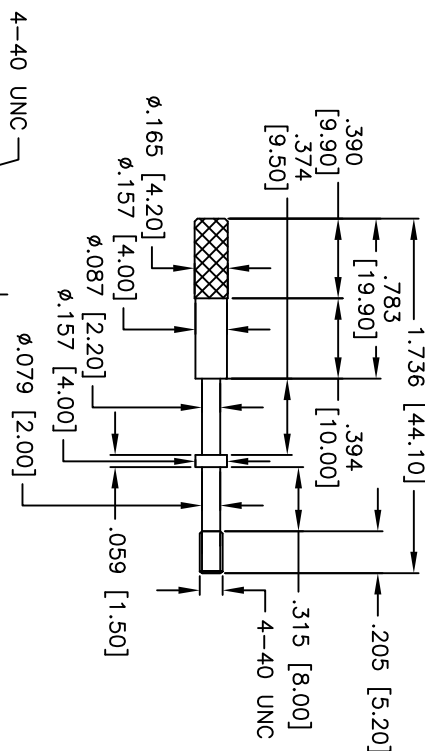
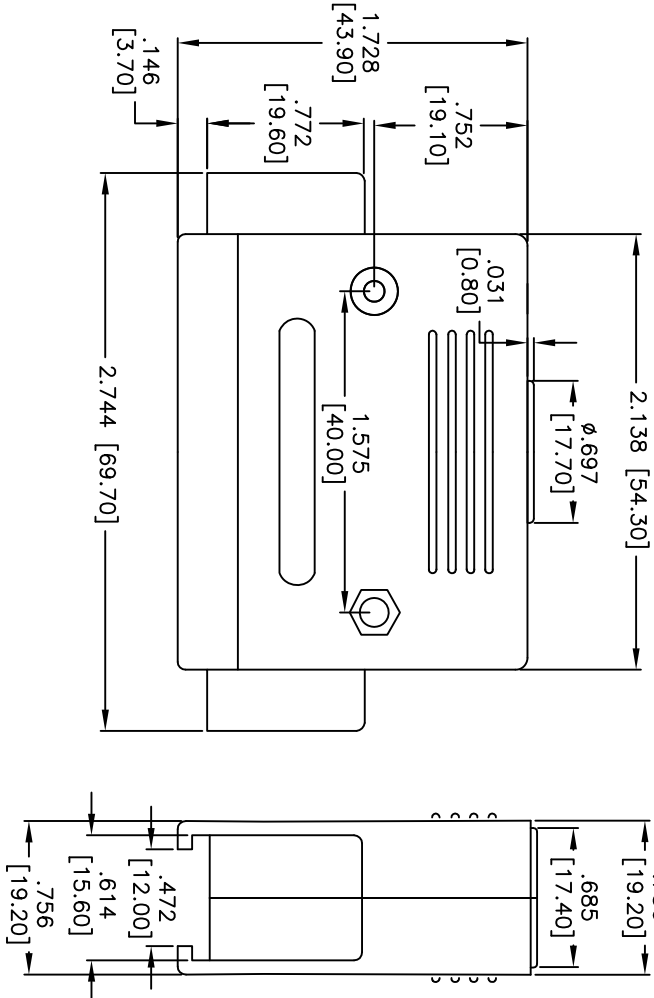
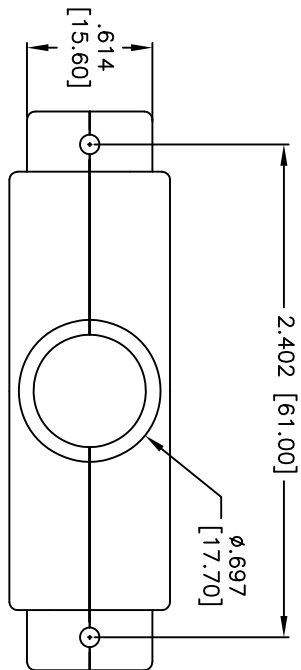
2

1

Rev	AWO #	Description	Date	Appr
		SEE SHIT 1 OF 5 FOR REVISION		

APPROVED: _____
 DATE: _____ TITLE: _____

DD50-HD-PX-TS



A

B

C

D

A

B

C

D

6

5

4

3

2

1

UNLESS OTHERWISE SPECIFIED
 ALL DIMENSIONS ARE INCHES [MM]
 TOLERANCES: EXCEPT AS NOTED
 INCHES: .X ± .10, .XX ± .020, .XXX ± .015
 HOLES: ØX ± .10, ØXX ± .015, ØXXX ± .010

ADAM TECH
 909 Railway Avenue, Union, NJ 07083
 Phone: 908-687-5000 Fax: 908-687-5710

DRAWN		HR	5/22/15	SIZE	PART NO.	REV.
CHECKED		LL	5/22/15	X	DDXX-HD-PX-TS	-
APPROVED				REF: S0006AT	SCALE: NTS	SHEET 5 OF 5
APPROVALS		DATE		TITLE: D-SUB HOOD, THUMB SCREWS		