

## LISA2-RS-PIN

~19° spot beam optimized for Osram Oslon SSL 80. 6.6 mm high variant with location pin installation.

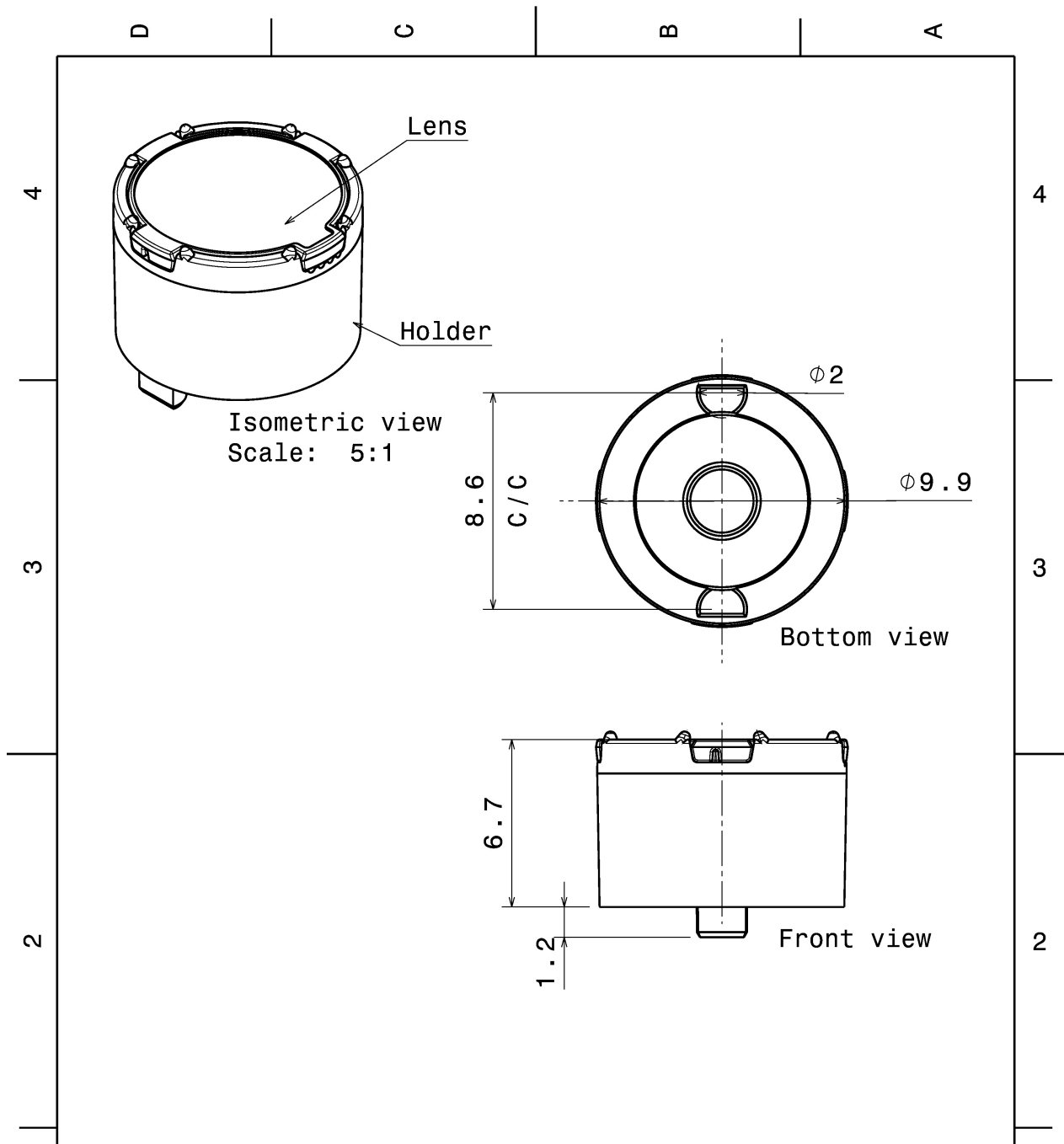
### TECHNICAL SPECIFICATIONS:

Dimensions	Ø 9.9 mm
Height	6.7 mm
Fastening	glue, pin
Colour	black
Box size	
Box weight	1.4 kg
Quantity in Box	pcs
ROHS compliant	yes ⓘ



### MATERIAL SPECIFICATIONS:

Component	Type	Material	Colour
LISA2-RS	Single lens	PMMA	clear
LISA2-HLD-PIN-OSL	Holder	PC	black



Tolerances if not otherwise shown According to DIN ISO 2768-1 Linear measures: Up to 30mm class M, otherwise class C. According to DIN ISO 2768-2 Form and position: class L		<b>LEDiL</b>		Ledil Oy Salorankatu 10 FIN 24240 SALO Finland	
THIRD ANGLE PROJECTION:		<b>DRAWING TITLE</b> FP11047_LISA2-RS-PIN			
This drawing is the property of LEDiL Oy. It may not be reproduced, copied or communicated without a written agreement with LEDiL Oy.		SIZE		PART NUMBER	
		A4		FP11047	
		SCALE	5:1	WEIGHT	-
				SHEET	1/1

#### PHOTOMETRIC DATA (MEASURED):

##### OSRAM

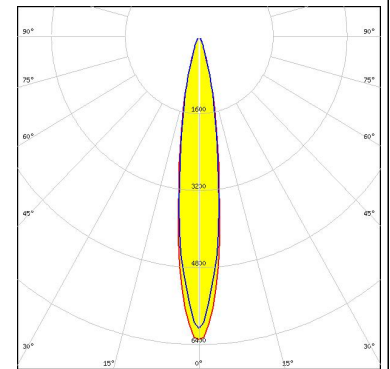
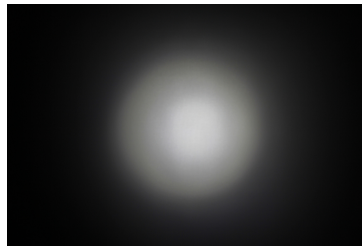
Opto Semiconductors

LED OSLON SSL 150  
FWHM 16.0°  
Efficiency 92 %  
Peak intensity cd/lm  
LEDs/each optic 1  
Light colour White  
Required components:

##### OSRAM

Opto Semiconductors

LED OSLON SSL 80  
FWHM 16.0°  
Efficiency 89 %  
Peak intensity cd/lm  
LEDs/each optic 1  
Light colour White  
Required components:



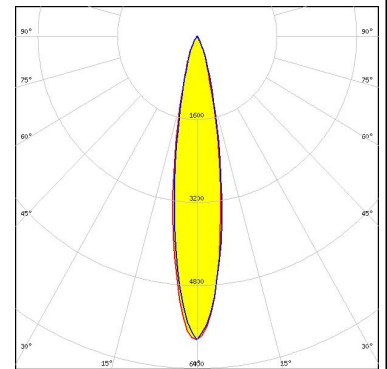
#### PHOTOMETRIC DATA (SIMULATED):

##### OSRAM Opto Semiconductors

LED SFH 4770S  
FWHM 18.0°  
Efficiency 93 %  
Peak intensity cd/lm  
LEDs/each optic 1  
Light colour White  
Required components:

##### OSRAM Opto Semiconductors

LED Synios P2720 1 mm  
FWHM 13.0°  
Efficiency 92 %  
Peak intensity 9.650 cd/lm  
LEDs/each optic 1  
Light colour White  
Required components:



#### GENERAL INFORMATION:

NOTE: The typical beam angle will be changed by different color, chip size and chip position tolerance. The typical total beam angle is the full angle measured where the luminous intensity is half of the peak value.

#### MATERIALS:

As part of our continuous research and improvement processes, and to ensure the best possible quality and availability of our products, LEDiL reserves the right to change material grades without notice.

#### PRODUCT DATA USER AGREEMENT AND DISCLAIMER:

The measured data in the provided downloadable LEDiL Product Datasheets and Mechanical 2D-Drawings is rounded and provided as reference for planning. LEDiL Oy's optical specifications have been verified by conducting performance testing of the products in accordance with the company's quality system. The reported data are averaged results of multiple measurements with typical variation. LEDiL Oy reserves the right to without prior notification make changes and improvements to its products.

LEDiL Oy assumes neither warranty, nor guarantee nor any other liability of any kind for the contents and correctness of the provided data. The provided data has been generated with highest diligence but the provided data may in reality not represent the complete possible variation range of all intrinsic parameters. Therefore, in certain cases a deviation from the provided data could occur.

LEDiL Oy reserves the right to undertake technical changes of its products without further notification which could lead to changes in the provided data. LEDiL Oy assumes no liability of any kind for the possible deviation from any provided data or any other damage resulting from the usage of the provided data.

The user agrees to this disclaimer and user agreement with the download or usage of the provided files.

#### LEDiL Oy

Joensuunkatu 13  
FI-24240 SALO  
Finland

#### LEDiL Inc.

228 West Page Street  
Suite D  
Sycamore IL 60178  
USA

#### Local sales and technical support

[www.ledil.com/  
where\\_to\\_buy](http://www.ledil.com/where_to_buy)

#### Shipping locations

Salo, Finland  
Hong Kong, China

#### Distribution Partners

[www.ledil.com/  
where\\_to\\_buy](http://www.ledil.com/where_to_buy)