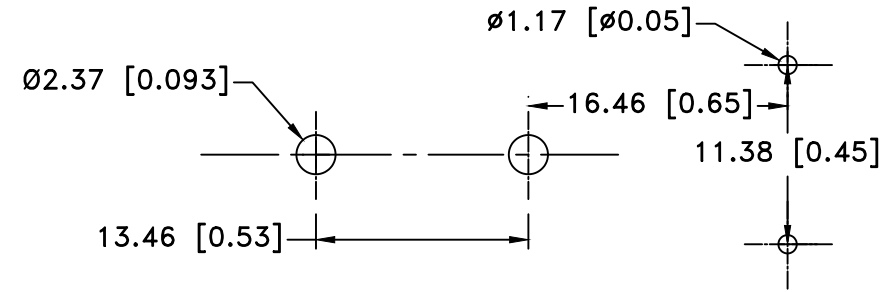
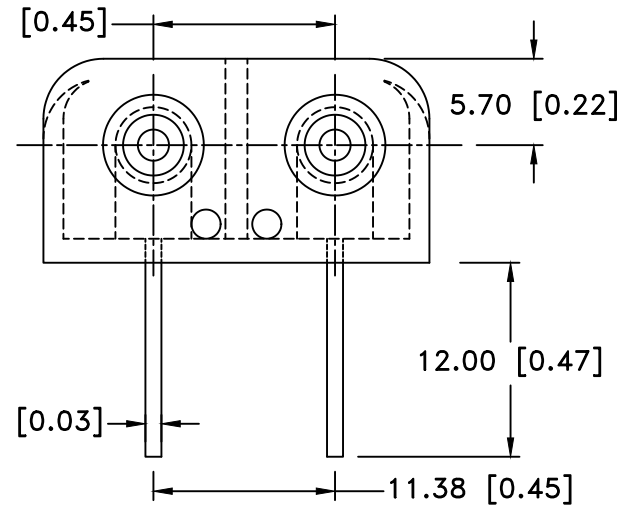
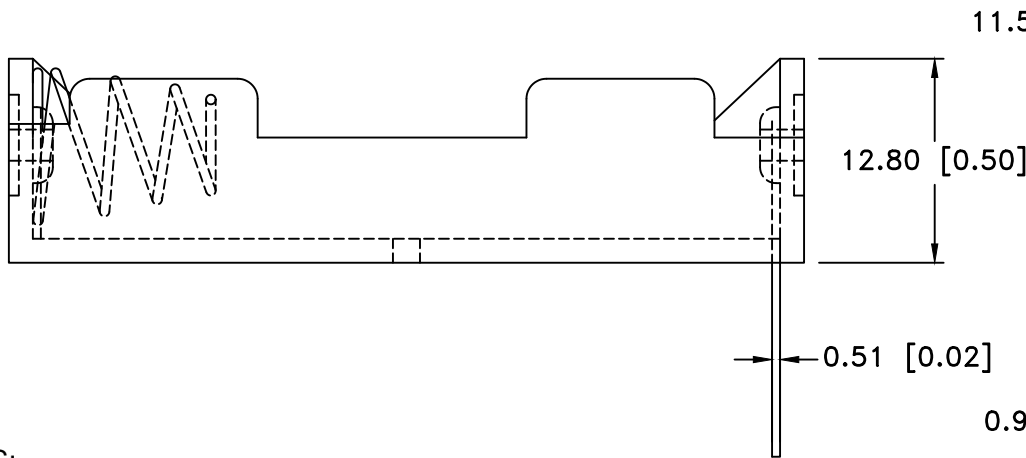


Date	SYM	REVISION RECORD	AUTH	DR.	CK.
06/02/17	J	DIM. 12.80 WAS 13.00 DIM. 13.60 WAS 14.22 DIM. 24.20 WAS 24.40 DIM. 0.90 WAS 1.02	T.B.	B.S.	
07/17/17	K	DIM. 51.31 WAS 51.40 DIM. 13.50 WAS 13.60 DIM. 24.51 WAS 24.20 DIM. 18.91 WAS 18.29 DIM. 5.70 WAS 5.49	T.B.	B.S.	
03/06/19	L	UPDATED TO "ROHS COMPLIANT"	T.B.	B.S.	



PCB LAYOUT




NOTES:

1. MATERIAL:

HOUSING : BLACK POLYPROPYLENE
 FLAMMABILITY RATING -UL94-HB, UL FILE NO. E216959
 TEMPERATURE RANGE: -10°C to +100°C
 RIVETS: BRASS, NICKEL PLATED.
 SPRING: SPRING STEEL, NICKEL PLATED.
 PC PINS: BRASS, NICKEL PLATED.
 CONTACTS: SPRING STEEL, NICKEL PLATED.
 CONTACT RESISTANCE: UNDER 50mΩ FOR +/- CONTACTS PER
 EIA-540J000

ROHS COMPLIANT

Tolerance (Except as noted)	 Memory Protection Devices, Inc 200 Broad Hollow Road, Farmingdale, New York 11735		
	decimal ±.5 (.020)	Scale	Drawn By B.S. Approved By T.B.
Fractional ± .8 (.030)	Title TWO "AAA" CELL HOLDER WITH PC PINS		
Angular ± 3°	Date 03/06/19	Drawing Number BC2AAAPC	