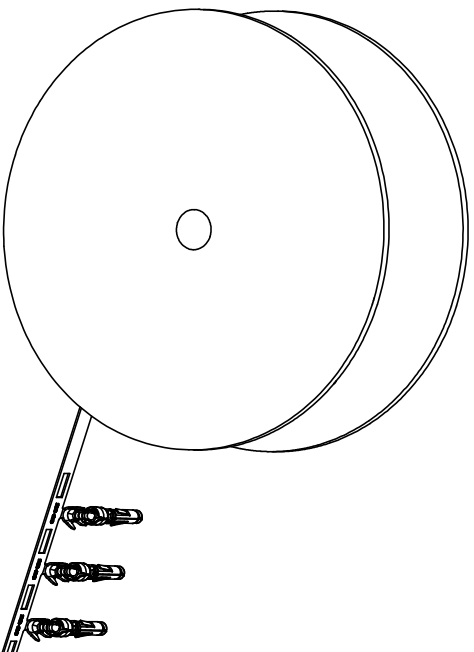


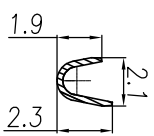
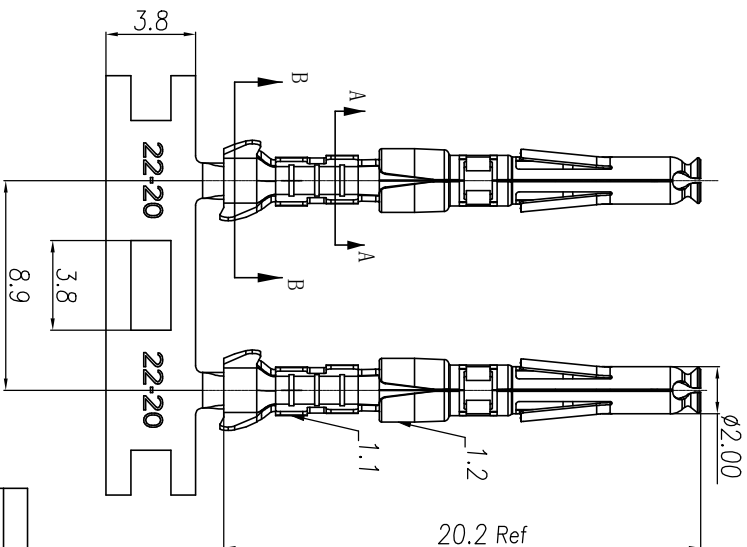
REVISIONS				
REV	ECO	DESCRIPTION	DATE	BY APPR
A1	-	RELEASED DRAWING	Nov-9-17	Rookie Tommy
A2	-	ADD THE GS PART NUMBER	Jan-28-19	Blink Tommy
A3	-	CHANGE HAND CRIMPER	Nov-8-19	Flan Tommy



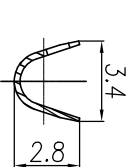
CONTACT ORIENTATION ON ROLL

NOTES: (UNLESS OTHERWISE SPECIFIED)

- MATERIAL:
 - CONTACT BODY: COPPER ALLOY.
 - OUTER SPRING: STAINLESS STEEL.
- SPECIFICATIONS:
 - CURRENT RATING: 5A MAX.
 - TERMINATION TYPE: CRIMPING.
 - WIRE RANGE: 22~20AWG.
 - WIRE INSULATION DIA(MAX): $\varnothing 2.6\text{mm}$.
- RHS COMPLIANT.
- ALL DIMENSIONS ARE FOR REFERENCE USE ONLY.
- AVAILABLE TOOLS:
 - HAND CRIMPER: MFX-3958. ^(A3)
 - CRIMP APPLICATOR: MFX-3957.
 - EXTRACTION TOOL: QXRT20.



SECTION A-A



SECTION B-B

QUANTITY	PART NUMBER	DESCRIPTION	ITEM

MATERIALS LIST

UNLESS OTHERWISE SPECIFIED			
1) All dimensions are in millimeters.	DRAWN:	RM	Nov-8-19
2) Tolerances are as follows:	CHECKED:	RM	Nov-8-19
1 Pt. DEC 20-19	ENGINEER:		
3 Pt. DEC 20-19	APPROVE:	Tommy	Nov-8-19
3) Note reference =	CUSTOMER:		

MATERIAL SPECIFICATIONS		PROCESS SPECIFICATIONS	

SIZE	TYPE	SCALE	SHEET	OF
B	C-	NONE	1	1

ECO-MATE SOCKET CONTACT,
STAMPED, 20-22AWG, SIZE 20

Amphenol

Sine Systems - www.amphenol-sine.com
44724 Monty Drive
Clinton Township, MI 48038

P/N	CONTACT PLATING(MATING AREA)
SS20W2T	TIN PLATING OVER NICKEL.
SS20W2N	NICKEL PLATING OVER COPPERIZE.
SS20W2F	GOLD FLASH PLATING OVER NICKEL.
SS20W2G5	5 μ " GOLD PLATING OVER NICKEL.
SS20W2G10	10 μ " GOLD PLATING OVER NICKEL.
SS20W2G15	15 μ " GOLD PLATING OVER NICKEL.
SS20W2G30	30 μ " GOLD PLATING OVER NICKEL.

(A2)