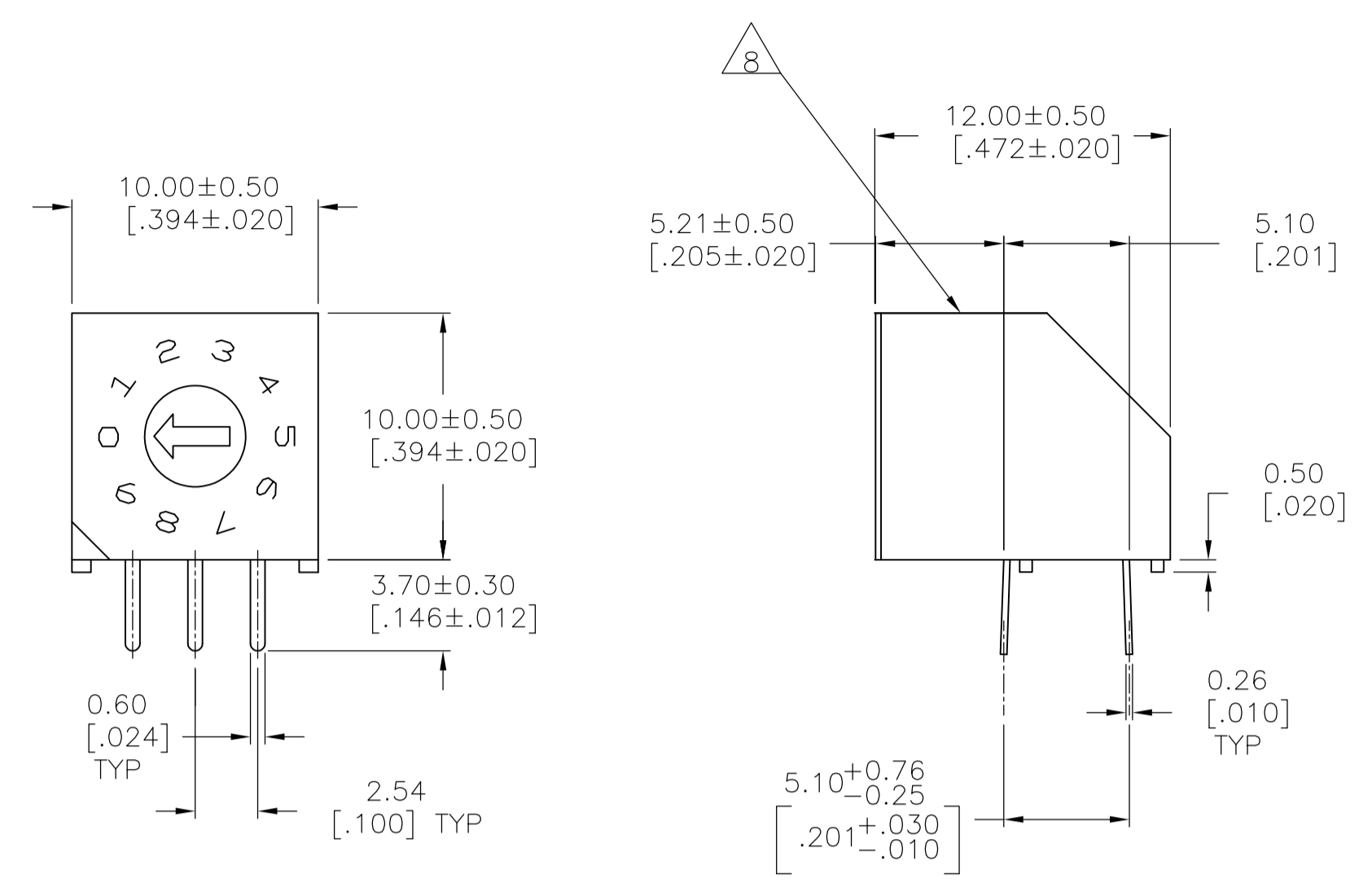
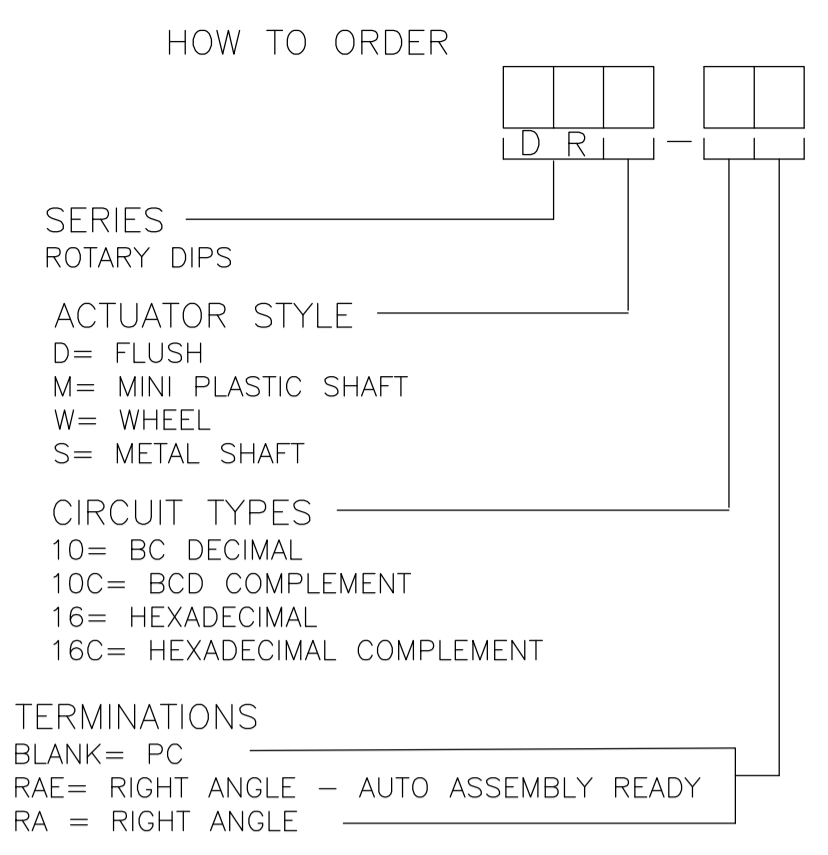


REVISIONS					
P	LTR	DESCRIPTION	DATE	DMN	APVD
A5	REVISED PER ECO-17-001765		05MAY2017	SK	AS



DRD RIGHT ANGLE
PC MOUNT



SPECIFICATIONS:

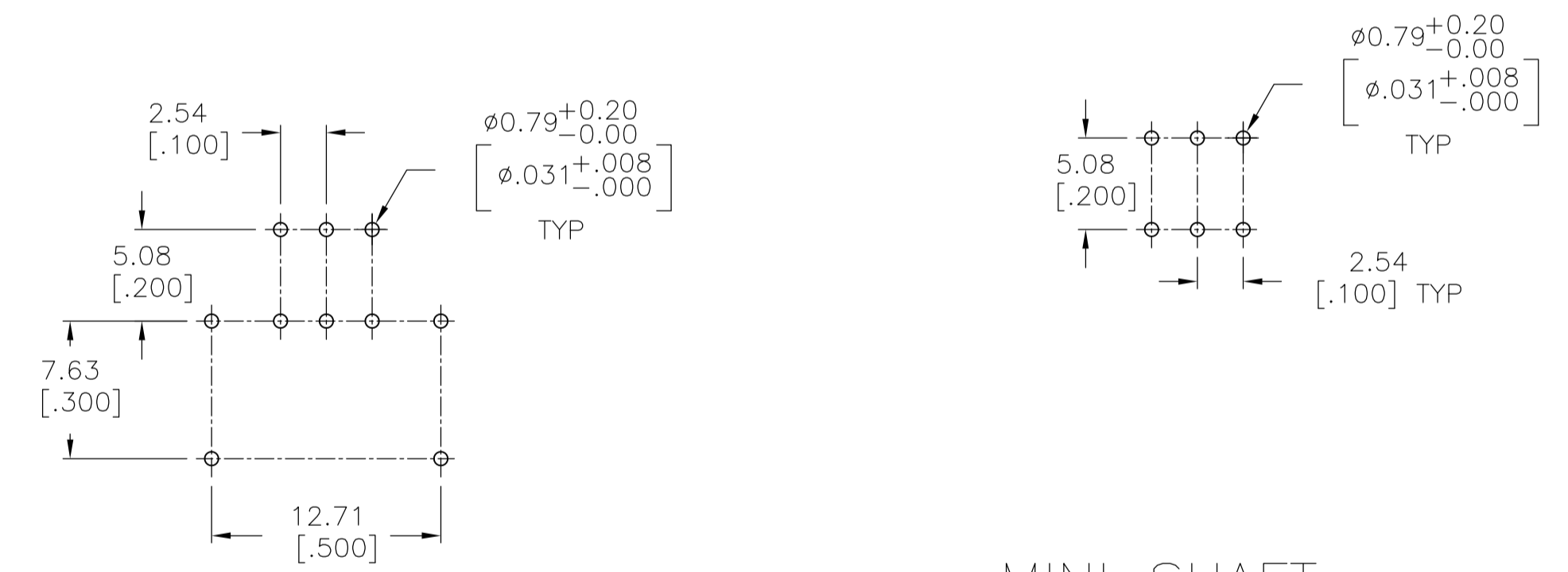
MATERIAL:
FRAME & CASE- PPS UL94V-0, BLACK
ROTOR, PA6T UL94V-0, COLOR SEE P/N TABLE
FIXED CONTACT/TERMINAL- COPPER ALLOY, GOLD FLASH OVER NICKEL PLATE
MOVING CONTACT- COPPER ALLOY, GOLD FLASH OVER NICKEL PLATE
BALL SUPPORT PLATE- COPPER ALLOY
BALL- STAINLESS STEEL
DETENT SPRING- STAINLESS STEEL
BUSHING (DRS)- ZINC DIE CAST
SHAFT (DRS)- COPPER ALLOY- NICKEL PLATE

ELECTRICAL:
CONTACT RATING- 0.4VA@ 20V DC OR PEAK AC
INITIAL CONTACT RESISTANCE- 50 MILLIOHMS MAX
INSULATION RESISTANCE- 1,000 MEGOHMS@100V DC
DIELECTRIC STRENGTH- 300V AC
LIFE EXPECTANCY- 10,000 ROTATIONS

MECHANICAL:
OPERATING FORCE- 13.88 OZF.IN. MAX

ENVIRONMENTAL:
OPERATING TEMPERATURE- -30°C TO +85°C
STORAGE TEMPERATURE- -45°C TO +100°C
RESISTANCE TO SOLDER HEAT-PER 109-202, COND B (THRU-HOLE)
SOLDERABILITY-PER JIS C 0050 & JIS C 0053

- NOTES:**
- ALL MATERIALS AND FINISHES SHALL COMPLY WITH EU DIRECTIVE 2002/95/EC OF 27JAN2003 (ROHS)
 - COMMON TERMINALS ARE CONNECTED INTERNALLY, EXCEPT ON HYBRID VERSIONS.
 - RED ROTOR WITH WHITE PRINTING ON TOP AND SIDE OF SWITCH. "S" STYLES HAVE NOT PRINTING ON TOP.
 - BLACK ROTOR WITH WHITE PRINTING ON TOP AND SIDE OF SWITCH. "S" STYLES HAVE NO PRINTING ON TOP.
 - ORANGE ROTOR WITH WHITE PRINTING ON TOP AND SIDE OF SWITCH "S" STYLES HAVE NO PRINTING ON TOP.
 - WHITE ROTOR WITH WHITE PRINTING ON TOP AND SIDE OF SWITCH "S" STYLE HAVE NO PRINTING ON TOP.
- △ LOCATE 'ALCO' TRADE NAME AND LOT NUMBER MARKING. LOT NUMBER TO BE MARKED AS FOLLOW:
- 4 F
1ST DIGIT 2ND DIGIT
YEAR 1194 MONTH 6
- MARK WITH PERMANENT WHITE INK.



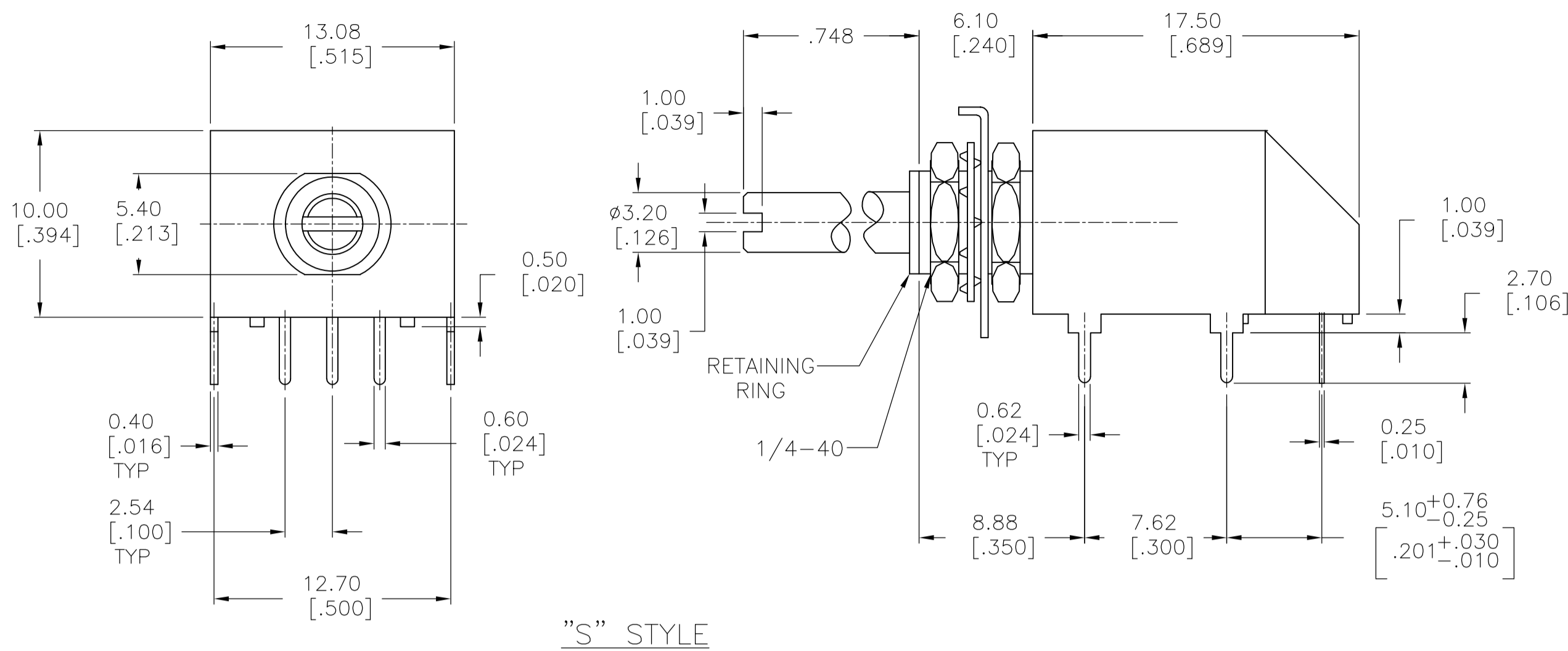
"S" STYLE

MINI SHAFT
FLUSH
WHEEL

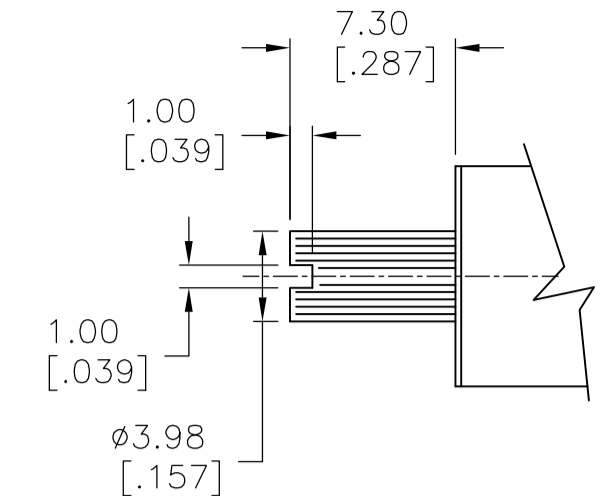
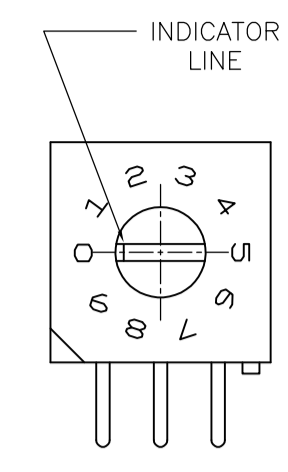
PRINTED CIRCUIT BOARD LAYOUTS

	BLACK	DRW16RAE04	1-1825008-6
	WHITE	DRW16CRAE04	1-1825008-5
	RED	DRW10RAE04	1-1825008-4
OBSOLETE	ORANGE	DRW10CRAE04	1-1825008-3
	N/A	DRS16RA04	1-1825008-2
	N/A	DRS16CRA04	1-1825008-1
	N/A	DRS10RA04	1-1825008-0
OBSOLETE	N/A	DRS10CRAE04	1825008-9
	BLACK	DRM16RAE04	1825008-8
OBSOLETE	WHITE	DRM16CRAE04	1825008-7
	RED	DRM10RAE04	1825008-6
OBSOLETE	ORANGE	DRM10CRAE04	1825008-5
	BLACK	DRD16RAE04	1825008-4
	WHITE	DRD16CRAE04	1825008-3
	RED	DRD10RAE04	1825008-2
OBSOLETE	ORANGE	DRD10CRAE04	1825008-1
	ROTOR COLOR	T&B P/N	PART NO.

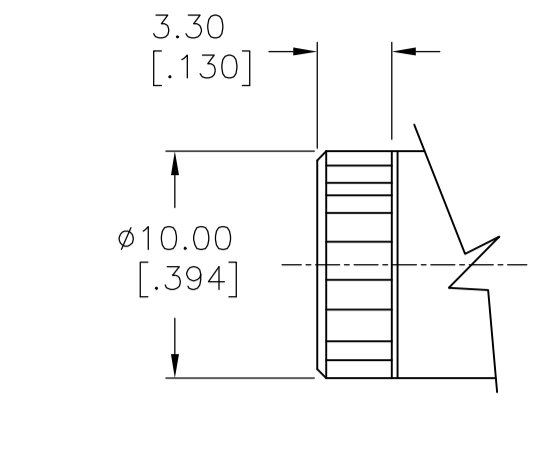
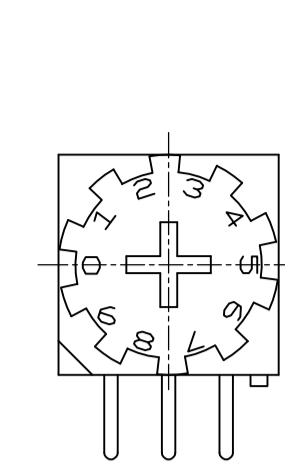
THIS DRAWING IS A CONTROLLED DOCUMENT.		DIN 17MAY2005	
DIMENSIONS: mm [INCHES]		E.S.VISWESWARA	
TOLERANCES UNLESS OTHERWISE SPECIFIED:		CHK M.S.SARVER	
0 PLC	± -	APVD	
1 PLC	± -	NAME	
2 PLC	± 0.25	PRODUCT SPEC	
3 PLC	± -	APPLICATION SPEC	
4 PLC	± -	SIZE	
ANGLES	± 1°	CAGE CODE	
MATERIAL	FINISH	DRAWING NO	
		RESTRICTED TO	
		WEIGHT	
		A1 00779 1825008	
CUSTOMER DRAWING		SCALE 4:1 SHEET 1 OF 2 REV A5	



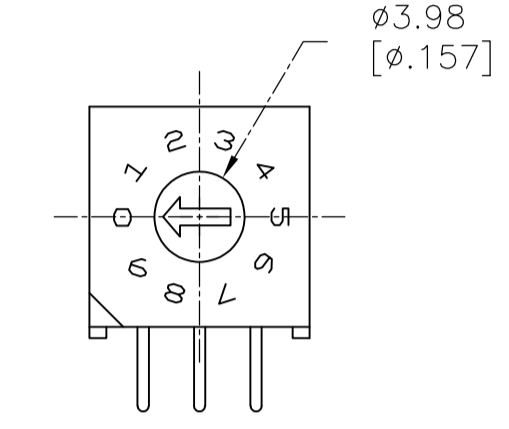
"S" STYLE



MINI SHAFT
'M' STYLE

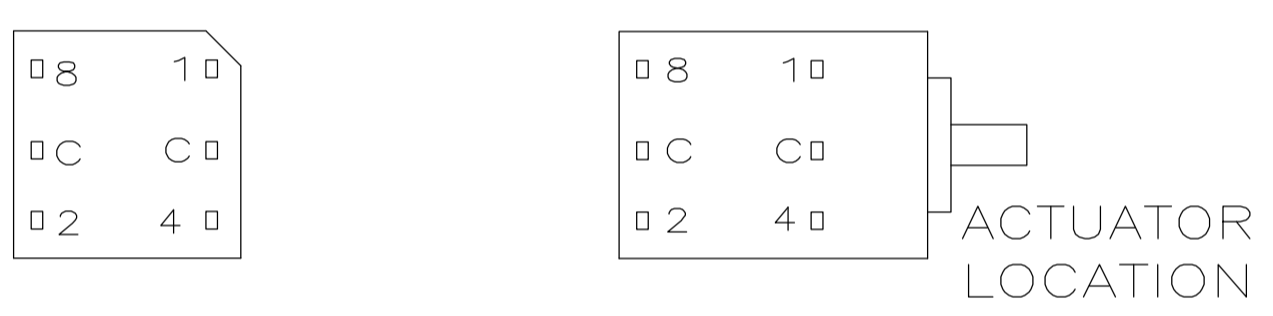


WHEEL
'W' STYLE



'D' STYLE

TERMINAL IDENTIFICATION FOR DR SERIES ONLY
(VIEWED FROM BOTTOM OF SWITCH)



ACTUATORS
SCALE:3:1

10-POSITION, BCD SEE NOTE 3

POS	0	1	2	3	4	5	6	7	8	9
C	X	X	X	X	X	X	X	X	X	X
1		X		X		X		X		X
2			X	X			X	X		
4					X	X	X	X		
8									X	X

16-POSITION, HEXADECIMAL SEE NOTE 4

POS	0	1	2	3	4	5	6	7	8	9	A	B	C	D	E	F
C	X	X	X	X	X	X	X	X	X	X	X	X	X	X	X	X
1		X		X		X		X		X		X		X		X
2			X	X			X	X			X	X			X	X
4					X	X	X	X				X	X	X	X	
8									X	X	X	X	X	X	X	X

10 POSITION, BCD COMPLEMENT SEE NOTE 5

POS	0	1	2	3	4	5	6	7	8	9
$\bar{0}$	X	X	X	X	X	X	X	X	X	X
$\bar{1}$	X		X		X		X		X	
$\bar{2}$	X	X			X	X			X	X
$\bar{4}$	X	X	X	X					X	X
$\bar{8}$	X	X	X	X	X	X	X	X		

16-POSITION, HEXADECIMAL COMPLEMENT SEE NOTE 6

POS	0	1	2	3	4	5	6	7	8	9	A	B	C	D	E	F
$\bar{0}$	X	X	X	X	X	X	X	X	X	X	X	X	X	X	X	X
$\bar{1}$	X		X		X		X		X		X		X		X	
$\bar{2}$	X	X			X	X			X	X		X	X			
$\bar{4}$	X	X	X	X					X	X	X	X				
$\bar{8}$	X	X	X	X	X	X	X	X								

THIS DRAWING IS A CONTROLLED DOCUMENT.

DIMENSIONS: mm [INCHES]	TOLERANCES UNLESS OTHERWISE SPECIFIED:	DIN 9137 S.VISWESWARA 17MAY2005 CHK M.S.SARVER APVD M.S.SARVER	NAME
0.0125 ± 0.00125 0.025 ± 0.0025 0.05 ± 0.005 ANGLES ± 1°		PRODUCT SPEC	DR***RA SERIES ROTARY DIP SWITCH
MATERIAL	FINISH	APPLICATION SPEC	RESTRICTED TO
		WEIGHT 0	SIZE A1
CUSTOMER DRAWING		SCALE 4:1	SHEET 2 OF 2 REV A5