

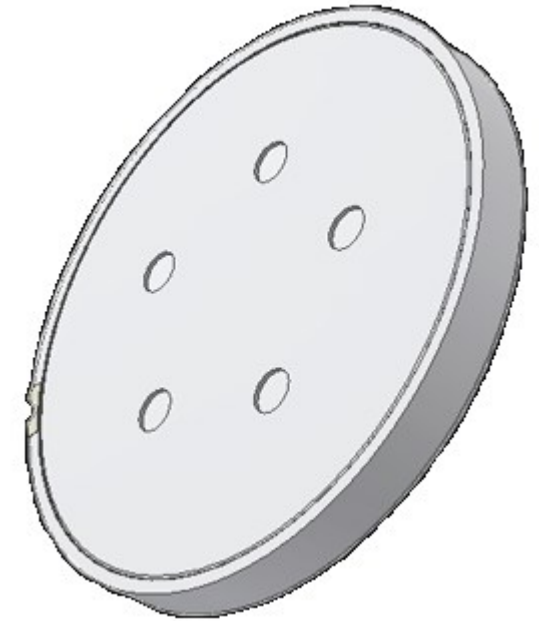
pui
audio™ inc
a projects unlimited company

AS01308MR-2-R 13mm Speaker

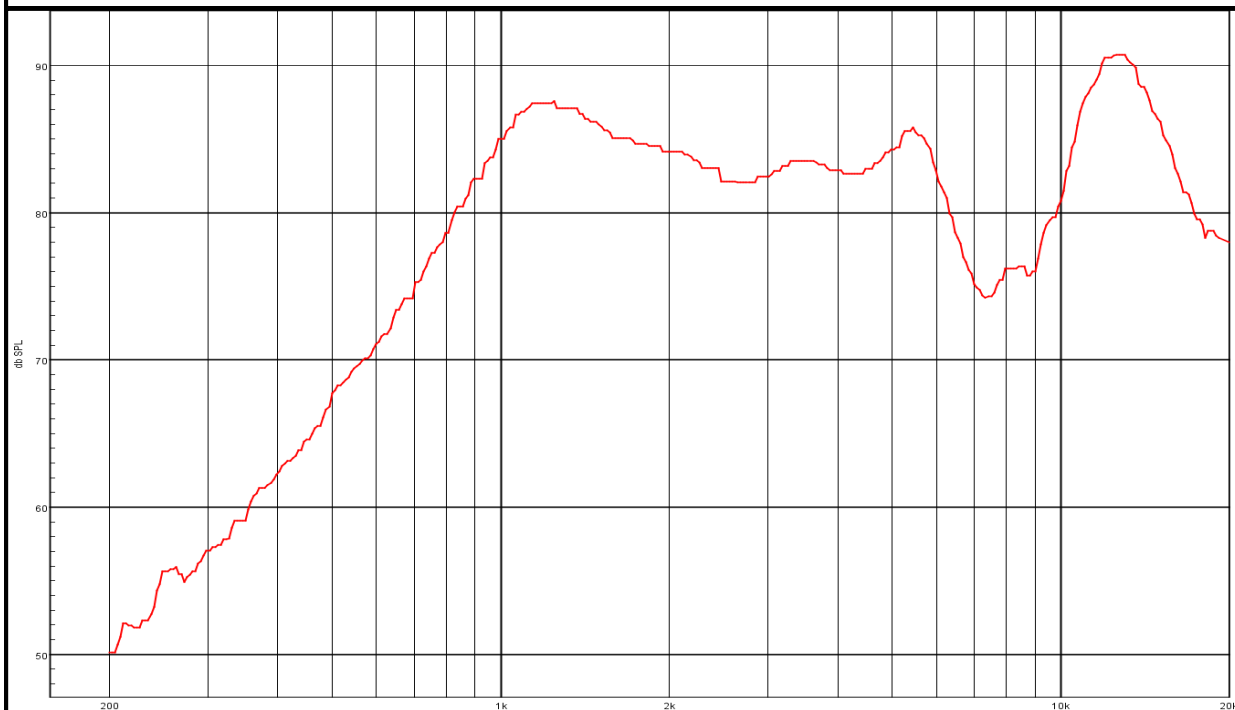
3541 Stop Eight Road • Dayton, Ohio 45414

Product Overview

- 13mm diameter speaker with Neodymium magnet for 85 dB sensitivity
- 0.2 continuous, 0.3 maximum power handling and 8Ω impedance
- Mylar diaphragm for moisture resistance and metal housing for protection
- Less than 3 mm thick for space-limited applications

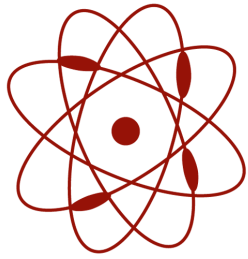


Frequency Response (0.1W @ 10 cm)



An Initiative of the EICC and GeSI



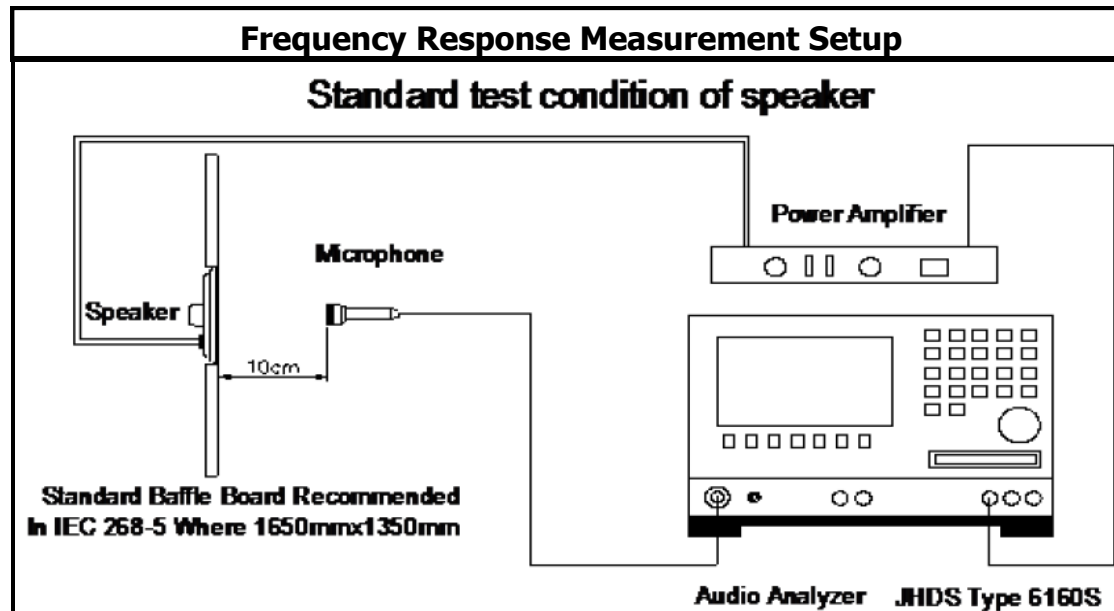


pui
audio™ inc
a projects unlimited company

AS01308MR-2-R 13mm Speaker

Mechanical and Environment Testing	
Test Description	Test Condition
High Temperature	60°C with random humidity for 96 hours
Low Temperature	-30°C with random humidity for 1 hours
Humidity	40°C with 90% relative humidity for 96 hours
Vibration	1.5 mm movement modulated at 10 to 55 Hz for 2 hours
Drop Test	1m free fall onto 20 mm thick board, 5 cycles
Temperature Cycle Test	-30°C to 60°C, 5 cycles

After tests, speaker shall rest for 1 hours. SPL shall not deviate ± 3 dB from pre-test measurement.



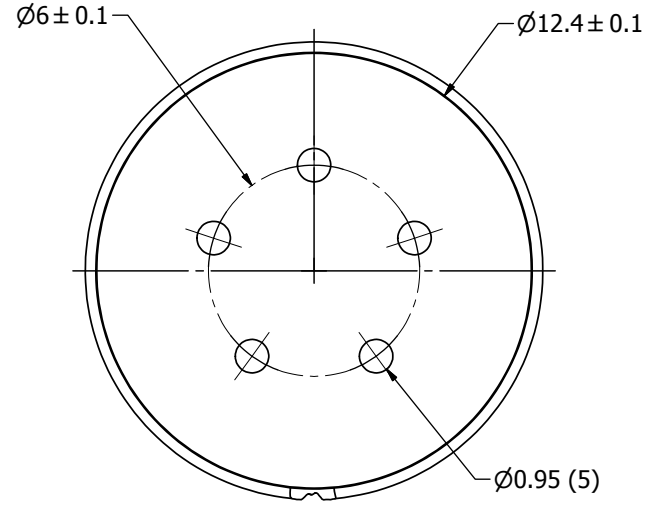
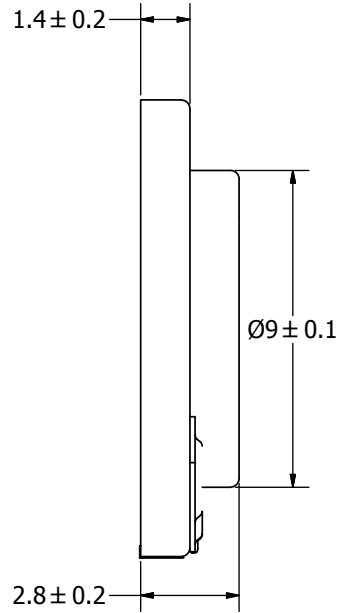
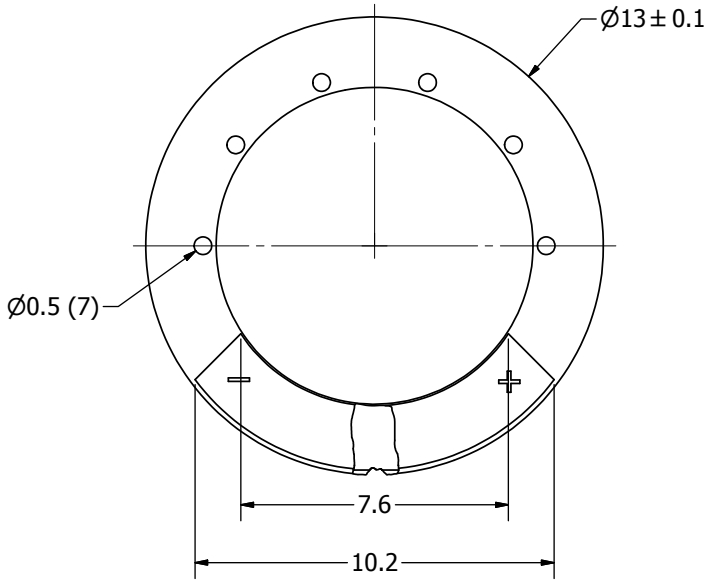
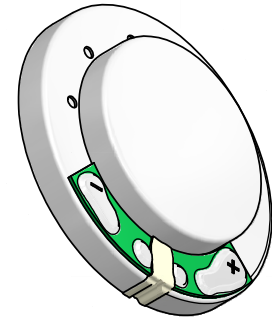
SPECIFICATIONS

PARAMETERS	VALUES	UNITS
RATED INPUT POWER	0.2	W
MAX INPUT POWER	0.3	W
IMPEDANCE	8 ± 15%	OHM
OUTPUT SPL @ 0.1W/0.1M (AT 0.8, 1.0, 1.2, 1.5 kHz)	85 ± 3	dBA
DISTORTION (MAX.)	5%	-
RESONANT FREQUENCY	1100 ± 20%	Hz
FREQUENCY RANGE	700 ~ 5000	Hz
HOUSING MATERIAL	METAL	-
CONE MATERIAL	MYLAR	-
MAGNET MATERIAL	ND	-
OPERATING TEMPERATURE	-20 ~ +50	°C
WEIGHT	1.1	grams

THIS DOCUMENT CONTAINS DATA PROPRIETARY TO PROJECTS UNLIMITED, INC. ANY USE OR REPRODUCTION, IN ANY FORM, WITHOUT PRIOR WRITTEN PERMISSION OF PROJECTS UNLIMITED, INC. IS PROHIBITED.
©2003, Projects Unlimited Inc.


REVISION HISTORY

LTR	DESCRIPTION	DATE	APPROVED
-	RELEASED FROM ENGINEERING	5/30/2006	
A	REVISED TO INVENTOR 3-D DRAWING TEMPLATE	9/06/2007	B.R.



NOTES:

1. ALL DIMENSIONS ARE IN MILLIMETERS.
2. SPECIFICATIONS SUBJECT TO CHANGE OR WITHDRAWAL WITHOUT NOTICE.
3. THIS PART IS RoHS 2002/95/EC COMPLIANT.

UNLESS OTHERWISE SPECIFIED: DIMENSIONS ARE IN MILLIMETERS, TOLERANCES ARE ±0.5 AND ANGLES ARE ±3°.	SIZE	Designed by	Date	Checked by	Date	Approved by	Date	Drawn Date
	A3	J.D.	5/30/2006	E.P.	5/31/2006	B.R.	5/31/2006	9/6/2007
		AS01308MR-2-R						Edition
AS01308MR-2-R.idw	 A Division of Projects Unlimited						-	1 / 1