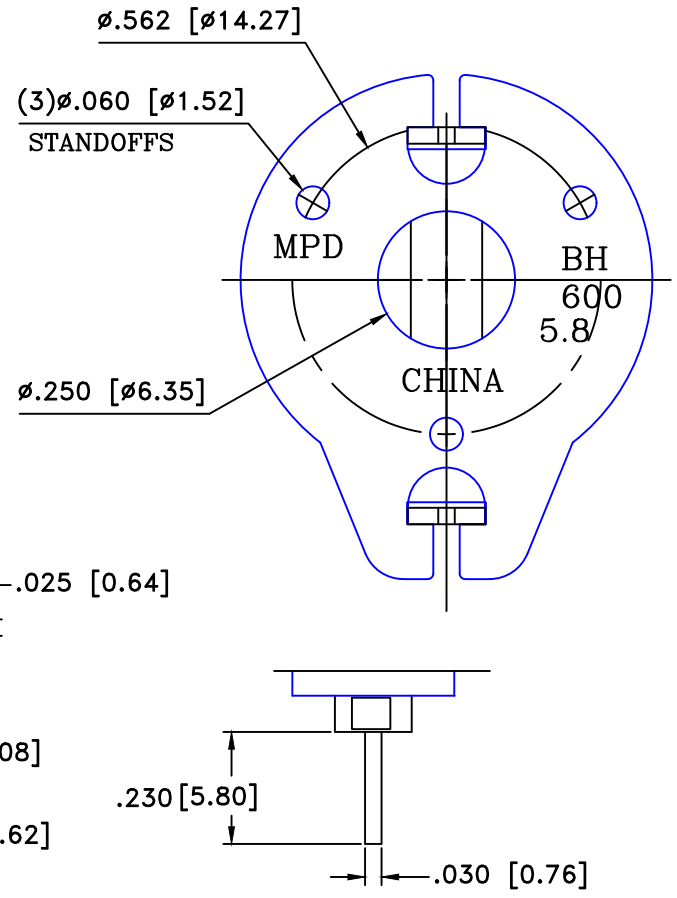
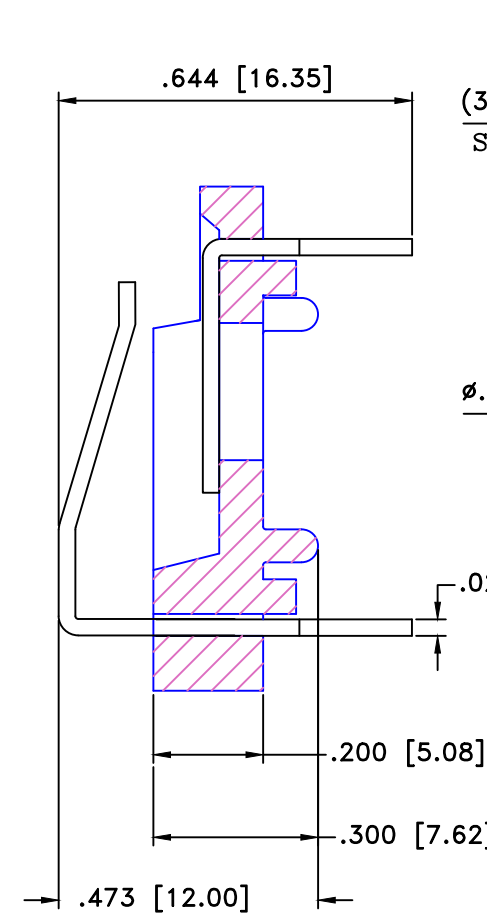
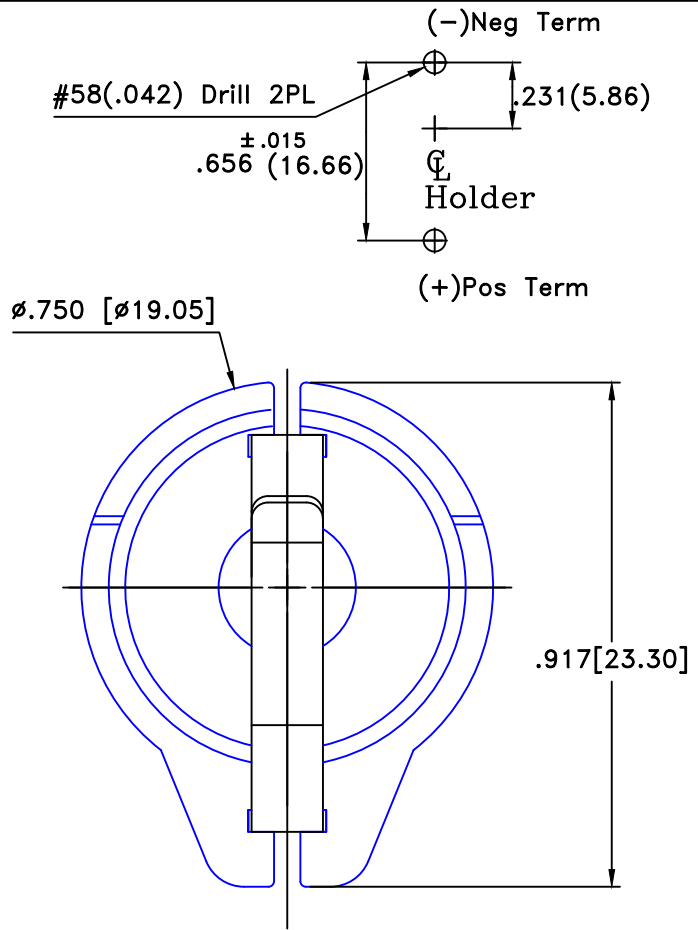


Date	SYM	REVISION RECORD	AUTH	DR.	CK.
12/11/15	E	ADDED WORD STANDOFFS AT DIM. Ø0.060	T.B.	B.S.	
12/12/19	F	ADDED WEIGHT OF THE PART	T.B.	B.S.	




Square Contact Detail

SPECIFICATIONS

- *Holder material-Kopa 66, 30% glass filled, color Black
 - *Flammability rating-UL94V-0
 - *Contacts-Stainless steel Spring Temper, Gold Flash Plating
 - *Dielectric strength-560volts/mil at 25°C for 5seconds
 - *Temperature range- -55° to +180°C
 - *Resistance to solvents-Xylene,ethyl,butyl,methyl&proptl alcohol;ethyl acetate,heptane;toluene;refrigerant
- Approximate weight: 1.72g

ROHS COMPLIANT

Tolerance (Except as noted)	 Memory protection Devices, Inc 200 Broad Hollow Road, Farmingdale, New York 11735		
decimal ±.5 (.020)		Scale XX	Drawn By B.S. Approved By T.B.
Fractional ± .8 (.030)	Title 16mm DIA. x 5.8mm THICK COIN CELL HOLDER		
Angular ± 3°	Date 12/12/19	Drawing Number BH600-5.8-G	