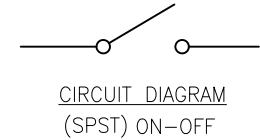
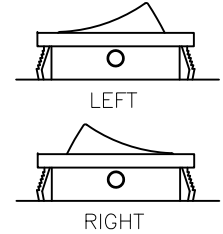
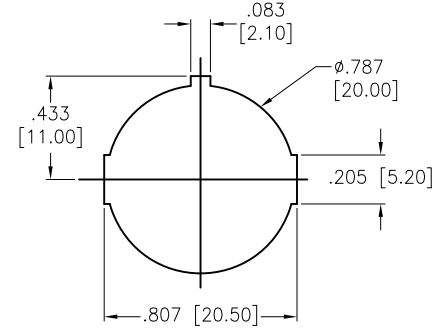
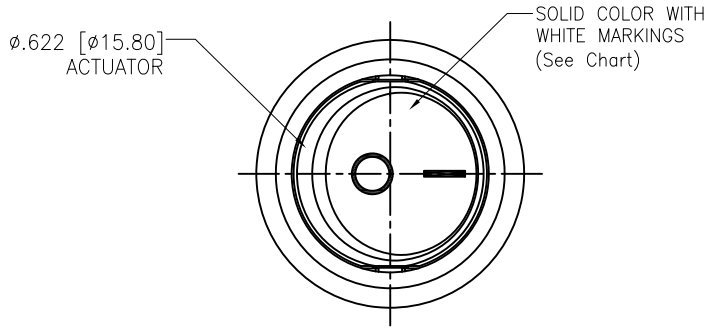
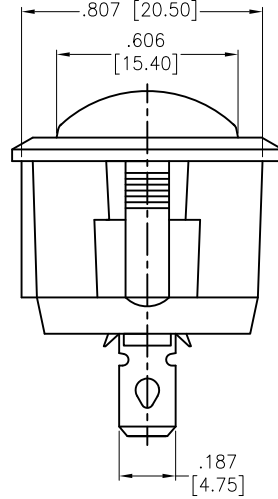
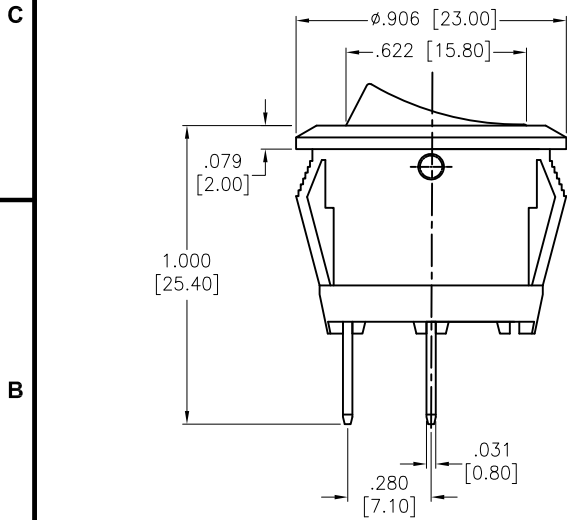


APPROVED: _____
 DATE: _____ TITLE: _____

Rev	AWO #	Description	Date	Appr
-		RELEASED	10/20/20	
A		UPDATE SPEC.	8/31/21	WX/RC



RECOMMENDED
 PANEL CUT-OUT
 Panel thickness
 0.031 ~ 0.12
 [0.78 ~ 3.0]



SW-R2-1A-F-XX-5

	Color	Actuator Markings
BLANK	Standard Black	—○
W	White	⊕
		⊖
		●
		○

SPECIFICATIONS:

Body: Nylon 66, Color Black, Rated UL 94V-0

Terminal: Brass, Silver plated

Button: Nylon 66, Solid color, White color markings. (See Chart)

Electrical:

The rated load: 250V AC, 6A

125V AC, 10A

Contact resistance: 50 mohms max

Insulation resistance: 100 Mohms min

Dielectric withstanding voltage: 1500 VAC/5S min

Mechanical:

Electrical life: 10000 Cycles min

Temperature Rating:

Operating temperature: -25°C to +85°C

Environmental:

Lead free, RoHS compliant



Replace "x" in P/N with the corresponding switch color and marking

UNLESS OTHERWISE SPECIFIED ALL DIMENSIONS ARE INCHES [MM] TOLERANCES: EXCEPT AS NOTED INCHES HOLES .X ± .10 Ø.X ± .10 .XX ± .020 Ø.XX ± .015 .XXX ± .015 Ø.XXX ± .010		ADAM TECH 909 Rahway Avenue, Union, NJ 07083 Phone: 908-687-5000 Fax: 908-687-5710	
APPROVALS DRAWN OW 10/20/20 CHECKED AC 10/20/20 APPROVED		TITLE SWITCH, MINIATURE ROCKER SPST, ON-OFF, QC .187 [4.75MM]	
SIZE X	PART NO. SW-R2-1A-F-XX-5	REV. A	
REF: S00206C	SCALE: NTS	SHEET 1 OF 1	