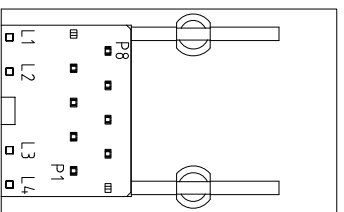
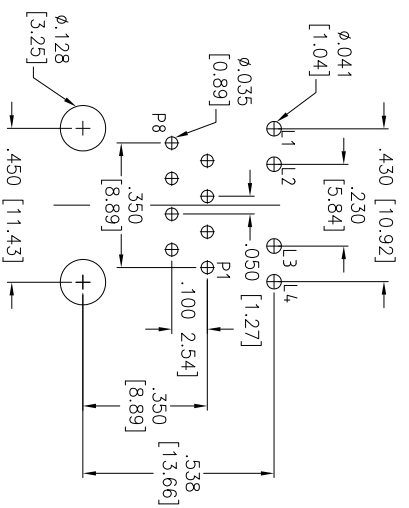
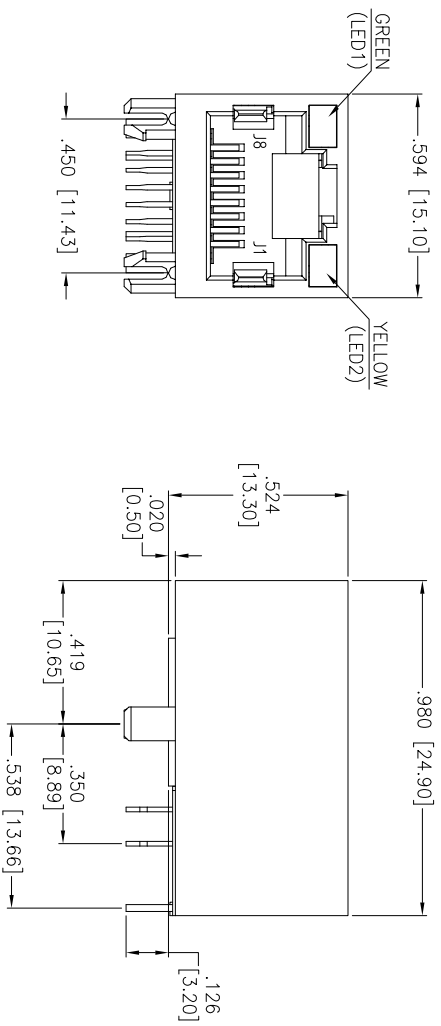


Rev	AWO #	Description	Date	Appr
-		RELEASED	8/16/13	

APPROVED: \_\_\_\_\_  
 DATE: \_\_\_\_\_ TITLE: \_\_\_\_\_



**SPECIFICATIONS:**

Material: Insulator: Hi-Temp Thermoplastic, rated UL 94V-0  
 Insulator color: Black  
 Contacts: Phosphor Bronze  
 Contact Plating: Gold Flash over Nickel underplate on contact area, Tin over Copper underplate on tails  
 (See chart for thickness).  
 Electrical: Contact Resistance: 30 mohms max. initial  
 Insulation resistance: 500 Mohms min @ 500 VDC  
 Dielectric withstanding voltage: 1,500 VAC for 1 minut  
 Temperature Rating: Operating temperature: 0°C to +70°C  
 Environmental: Lead free, RoHS compliant.

X	PLATING
0	15 $\mu$ m Gold
1	30 $\mu$ m Gold
2	50 $\mu$ m Gold

UNLESS OTHERWISE SPECIFIED  
 ALL DIMENSIONS ARE INCHES [MM]  
 TOLERANCES: EXCEPT AS NOTED  
 INCHES HOLES  
 .X ± .10 Ø.X ± .10  
 .XX ± .020 Ø.XXX ± .015  
 .XXX ± .015 Ø.XXXX ± .010

APPROVALS	DATE
DRAWN AY	8/16/13
CHECKED AL	8/16/13
APPROVED	

**ADAM TECH**  
 909 Rahway Avenue, Union, NJ 07083  
 Phone: 908-687-5000 Fax: 908-687-5710

TITLE: MODULAR JACK, 1 PORT, 8P8C  
 W/LED1 GREEN, LED2 YELLOW

SIZE	PART NO.	REV.
X	MTJ-88SX1-LH-M204-HT	-
REF:	S00167T	SCALE: NTS
		SHEET 1 OF 2

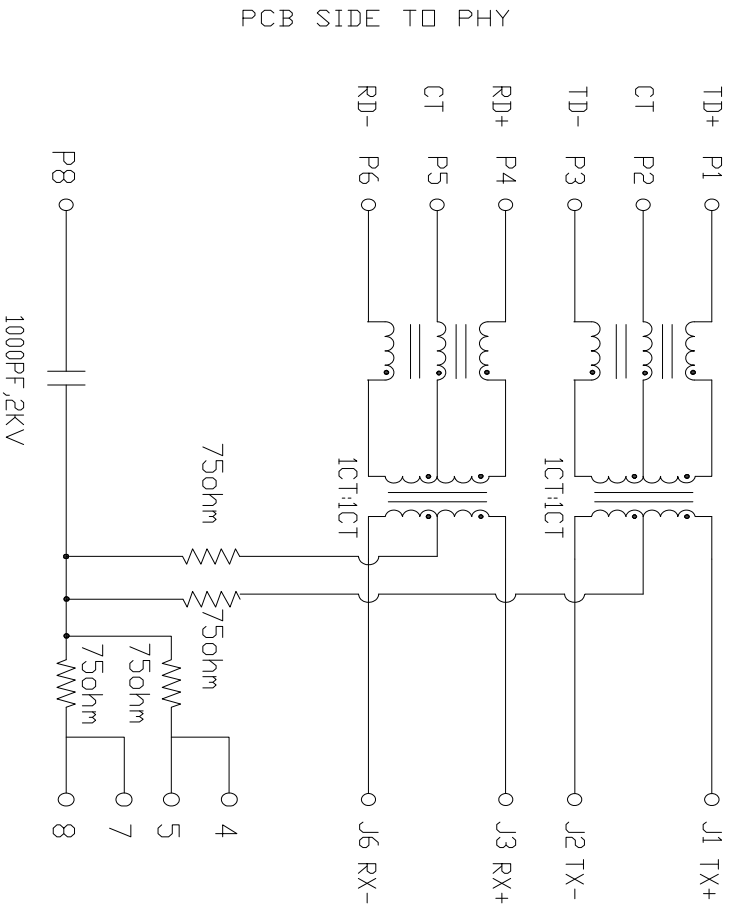


Rev	AWO #	Description	Date	Appr
		SEE SHT 1 OF 2 FOR REVISION		

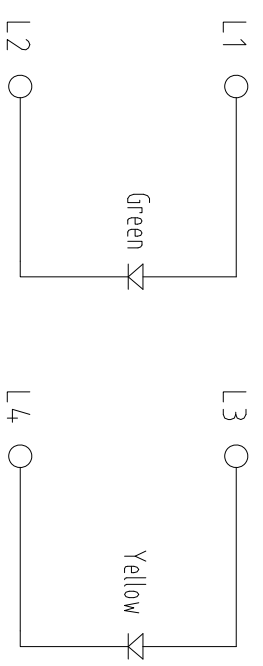
APPROVED: \_\_\_\_\_

DATE: \_\_\_\_\_ TITLE: \_\_\_\_\_

PCB SIDE TO PHY



CABLE SIDE



**SPECIFICATIONS:**

**Material:**

1. Turn Ratio: P1-P3:J1-J2=1:1(±3%)  
P4-P6:J3-J6=1:1(±3%)
2. Primary Inductance: 350µH Min. @100kHz, 0.1Vrms, 8mA DC BIAS
3. Hi-POT TEST: (P1-P3)-(J1-J2) 1500Vrms AC  
(P4-P6)-(J3-J6) 1500Vrms AC
4. TRANSMITTER FILTER  
(Type: Balance Low Pass 100 Ohm Impedance Norm)  
Insertion Loss: 1~100 MHz -1.1dB MAX  
Return Loss: 1~30 MHz -18dB MIN  
30~60 MHz -14dB MIN  
60~80 MHz -12dB MIN
5. CROSS TALK: 0.5~40 MHz -35dB MIN  
40~100 MHz -33-20LOG(f/50)dB MIN
6. CM TO CM REJECTION: 0.5~100 MHz -30dB MIN

UNLESS OTHERWISE SPECIFIED  
ALL DIMENSIONS ARE INCHES [MM]  
TOLERANCES: EXCEPT AS NOTED

.X	± .10	Ø.X	± .10
.XX	± .020	Ø.XX	± .015
.XXX	± .015	Ø.XXX	± .010

APPROVALS	DATE
DRAWN AY	8/16/13
CHECKED AL	8/16/13
APPROVED	

**ADAM TECH**  
909 Rahway Avenue, Union, NJ 07083  
Phone: 908-687-5000 Fax: 908-687-5710

TITLE: MODULAR JACK, 1 PORT, 8P8C  
W/LED1 GREEN, LED2 YELLOW

SIZE	PART NO.	REV.
X	MTJ-88SX1-LH-M204-HT	-
REF:	S00167T	
SCALE:	NTS	SHEET 2 OF 2