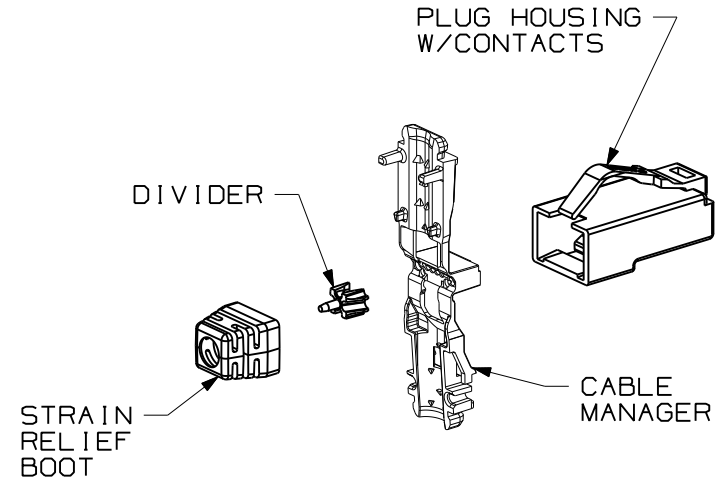
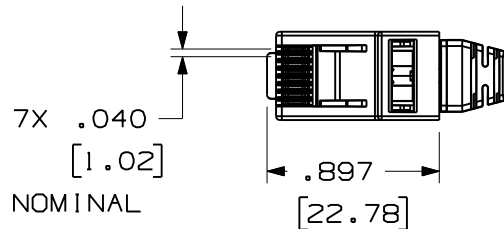
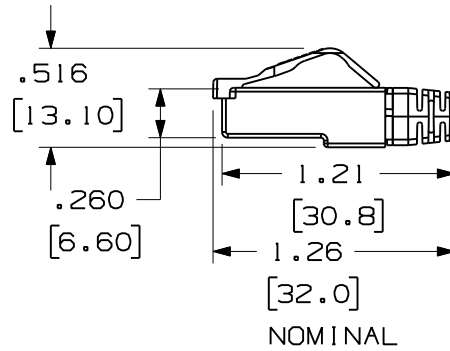
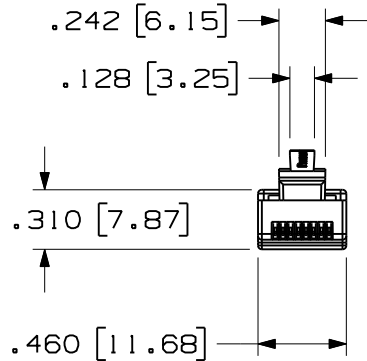
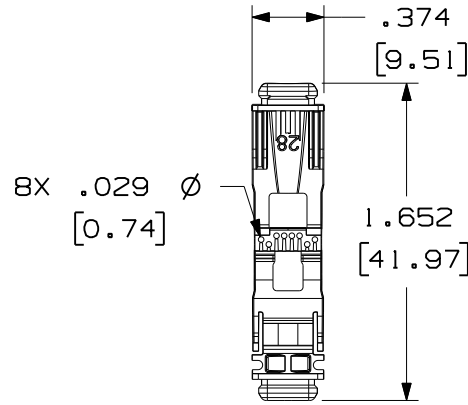
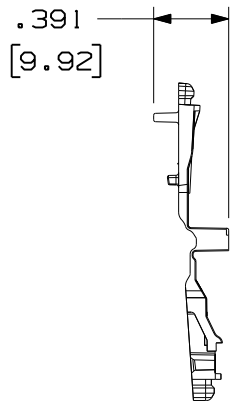



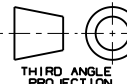
THIS COPY IS PROVIDED ON A RESTRICTED BASIS AND IS NOT TO BE USED IN ANY WAY DETRIMENTAL TO THE INTERESTS OF PANDUIT CORP.

PART NUMBER	WEIGHT
SP628-C	.045 LB/10 PCS (20.3 g/10 PCS)

NOTES:

- CATEGORY 6 UTP 28AWG MODULAR PLUG
- MATERIAL: HOUSING, ADAPTER, DIVIDER-THERMOPLASTIC UL94V-0 RATED; STRAIN RELIEF BOOT-CLEAR PVC; CONTACT TERMINAL-PHOSPHOR BRONZE ELECTROPOLISHED AND PLATED WITH .000050" MIN. GOLD IN CONTACT AREA, GOLD FLASH OVER REMAINDER, .000100" MIN NICKEL UNDERPLATE.
- PLUG ACCEPTS 4 PAIR CABLE .138"-.189" (3.5mm-4.8mm) DIAMETER WITH 28 AWG SOLID OR STRANDED CONDUCTORS WITH A MAXIMUM INSULATION DIAMETER OF .024"(.61mm).
- MEETS DIMENSIONAL REQUIREMENTS OF FCC PART 68 AND IEC 60603-7. ALL DIMENSIONS MAXIMUM UNLESS OTHERWISE SPECIFIED.
- TERMINAL CONTACT HEIGHT DIMENSION: .237±.005"(.60±.13mm) WITH PANDUIT CRIMP TOOL.
- c(UL)us LISTED, UL FILE NUMBER E129886



MODEL FILENAME	11M280AA/06	SIZE	A
DRAWING FILENAME	11M280AA_DC02/06B		
PAN-PLUG CATEGORY 6 28 AWG UTP MODULAR PLUG CUSTOMER DRAWING			
 TINLEY PARK, IL 60487		I.I. NUMBER	
		PRODUCT SPEC/ PKG SPEC	
 ALL DIMENSIONS ARE GIVEN IN INCHES, UNLESS OTHERWISE SPECIFIED. DIMENSIONAL TOLERANCES ARE: (.X) ±.03 (.XXX) ±.005 (.XX) ±.01 ANGLES ± 1°		ASSY METHOD/ TEST METHOD	
		SCALE N/A	
DRAWN BY BJN	REVIEW DRAWING NUMBERS	PART NO. SP628-C	
DATE 1-20-12	MAT'L	DRAWING NO. 11M280AA-02	
CHK'D JCO			

REV	DATE	BY	CHK	DESCRIPTION	ECN	R	CUST	SUP	OTH
I	5-29-12	BJN	JCO	UPDATED	11M280AA-02	JCO	EJH		
R	1-20-12	BJN	JCO	RELEASED TO PRODUCTION	11M280AA-02	JCO	EJH		