



# PIC32MX270F256D

## PIC32MX270F256D Bluetooth® Audio 44-pin to 100-pin TQFP Plug-In Module (PIM) Information Sheet

The PIC32MX270F256D Bluetooth Audio PIM is designed to demonstrate the capabilities of the PIC32MX1XX/2XX family of devices using the PIC32 Bluetooth Audio Development Kit board.

**Note:** This PIM can only be used with the PIC32 Bluetooth Audio Development Board. To get started with development, please visit: <http://www.microchip.com/pic32tools> and click the PIC32 Bluetooth Audio Development Board product link.

The PIC32MX1XX/2XX family of devices are high-performance 32-bit microcontrollers in low-pin count packages.

Table 1 shows the mapping between the development board functions and the device pins.

The MCP23008 (see Figure 3) is an I<sup>2</sup>C bus expander, which was added to help maintain most of the functionality of the 100-pin device. The I<sup>2</sup>C expander controls the on-board LEDs and charge management logic control lines. For flexibility, the I<sup>2</sup>C expander has a changeable slave address.

**TABLE 1: 44-PIN TO 100-PIN PINOUT**

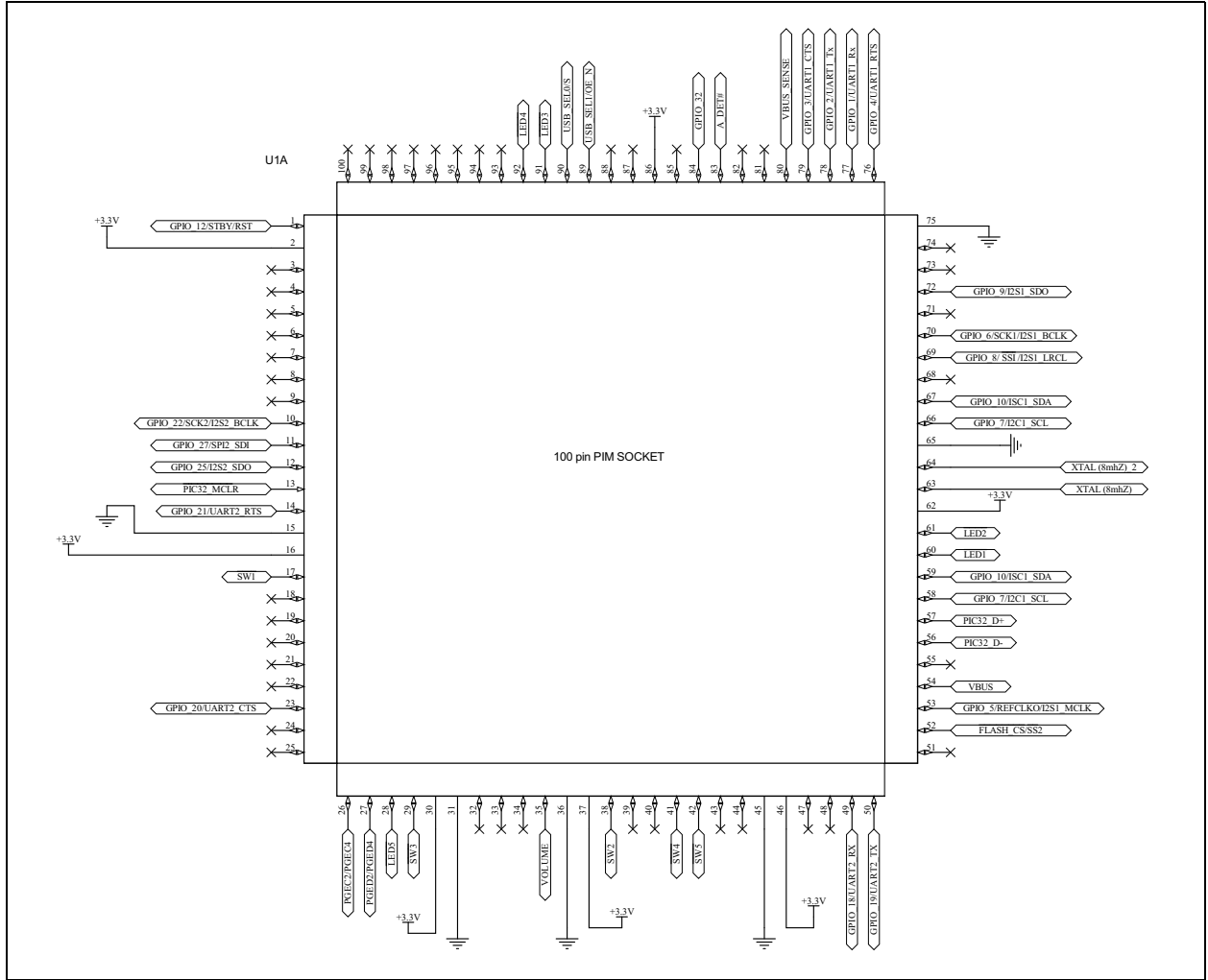
Device Pin #	PIC32MX270F256D Pin Name	PIM Pin #	Functional Description	I <sup>2</sup> C Expander (MCP23008)
1	RPB9/SDA1/CTED4/PMD3/RB9	59, 67	I2C SDA	2
2	RPC6/PMA1/RC6	77	UART1_RX	—
3	RPC7/PMA0/RC7	78	UART_TX	—
4	RPC8/PMA5/RC8	49	UART2_RX	—
5	RPC9/CTED7/PMA6/RC9	41	SW4	—
6	Vss	15, 31, 36, 45, 65, 75	GND	3, 5, 9
7	VCAP	2, 16, 30, 37, 46, 62, 86	3.3V/VCAP	—
8	PGED2/RPB10/D+/CTED11/RB10	57	USB D+	—
9	PGEC2/RPB11/D-/RB11	56	USB D-	—
10	VBUS3V3		3.3V	20
11	AN11/RPB13/CTPLS/PMRD/RB13	11	SPI2_SDI	—
12	PGED/TMS/PMA10/RA10	27	PGD4	—
13	PGEC/TCK/CTED8/PMA7/RA7	26	PGC4	—
14	CVREFOUT/AN10/C3INB/RPB14/VBUSON/SCK1/CTED5/RB14	70	I2S1_BCLK	—
15	AN9/C3INA/RPB15/SCK2/CTED6/PMCS1/RB15	10	SCK2	—
16	AVss	15, 31, 36, 45, 65, 75	GND	3, 5, 9
17	AVDD	2, 16, 30, 37, 46, 62, 86	3.3V	20
18	MCLR	13	MCLR#	—
19	PGED3/VREF+/CVREF+/AN0/C3INC/RPA0/CTED1/PMD7/RA0	35	VOLUME	—
20	PGEC3/VREF-/CVREF-/AN1/RPA1/CTED2/PMD6/RA1	80	VBUS_SENSE	—
21	PGED1/AN2/C1IND/C2INB/C3IND/RPB0/PMD0/RB0	52	SS2	—
22	PGEC1/AN3/C1INC/C2INA/RPB1/CTED12/PMD1/RB1	79	UART1_CTS#	—
23	AN4/C1INB/C2IND/RPB2/SDA2/CTED13/PMD2/RB2	17	SW1	—
24	AN5/C1INA/C2INC/RTCC/RPB3/SCL2/PMWR/RB3	38	SW2	—
25	AN6/PC0/RC0	1	STBY/RS#	—
26	AN7/PC1/RC1	53	I2S1_MCLK	—

# PIC32MX270F256D

**TABLE 1: 44-PIN TO 100-PIN PINOUT (CONTINUED)**

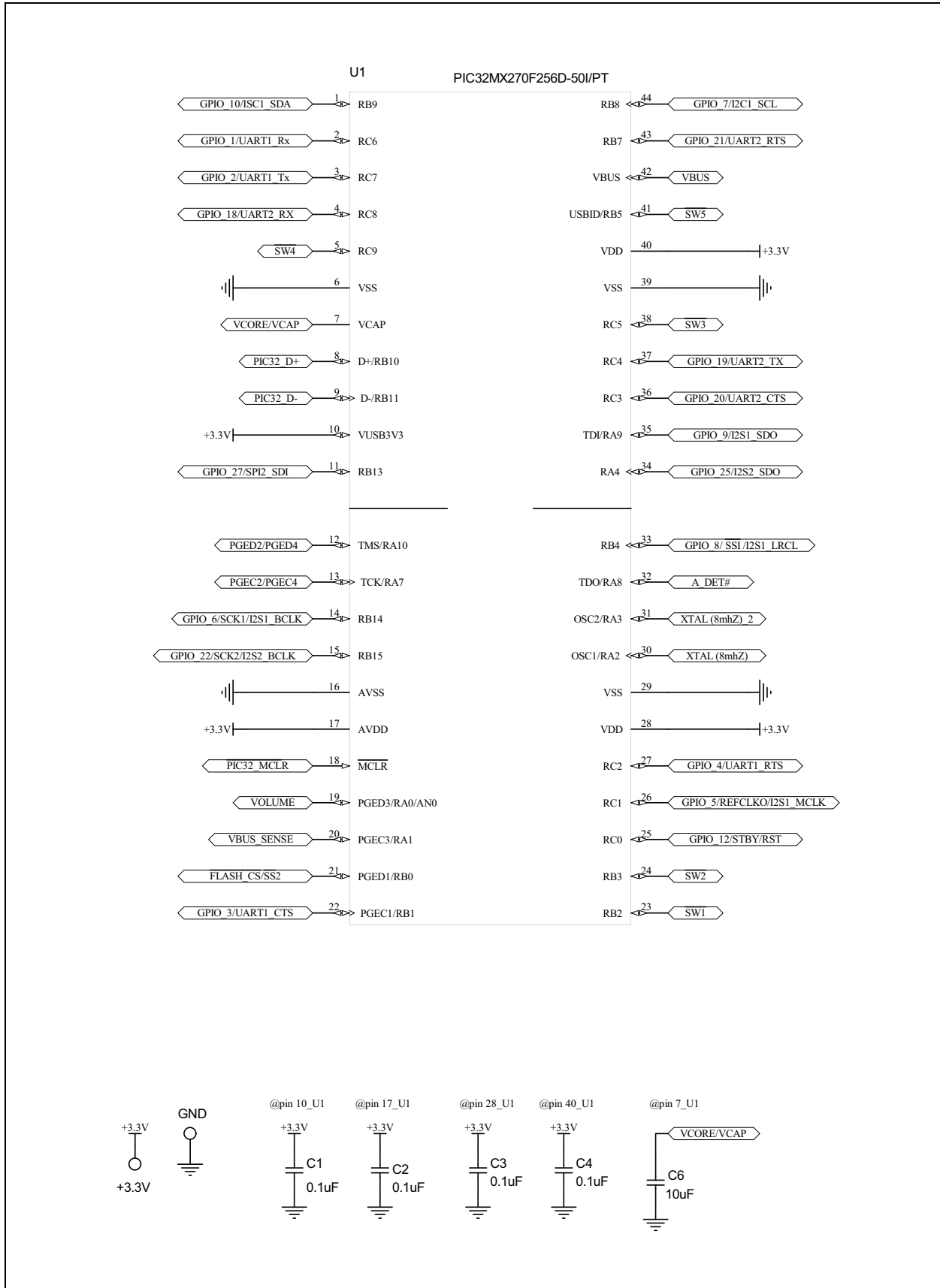
Device Pin #	PIC32MX270F256D Pin Name	PIM Pin #	Functional Description	I <sup>2</sup> C Expander (MCP23008)
27	AN8/RPC2/PMA2/RC2	76	UART_RTS#	—
28	VDD	2, 16, 30, 37, 46, 62, 86	3.3V	20
29	VSS	15, 31, 36, 45, 65, 75	GND	3, 5, 9
30	OSC1/CLKI/RPA2/RA2	63	OSC1	—
31	OSC2/CLKO/RPA3/RA3	64	OSC2	—
32	TDO/RPA8/PMA8/RA8	83	A_DET#	—
33	SOSCI/RPB4/RB4	69	I2S1_LRCL	—
34	SOSCO/RPA4/T1CK/CTED9/RA4	12	SDO2	—
35	TDI/RPA9/PMA9/RA9	72	I2S1_SDO	—
36	AN12/RPC3/RC3	23	UART2_CTS#	—
37	RPC4/PMA4/RC4	50	UART2_TX	—
38	RPC5/PMA3/RC5	29	SW3	—
39	VSS	15, 31, 36, 45, 65, 75	GND	3, 5, 9
40	VDD	2, 16, 30, 37, 46, 62, 86	3.3V	20
41	RPB5/USBID/RB5	42	SW5	—
42	VBUS	54	3.3V/VBUS	—
43	RPB7/CTED3/PMD5/INT0/RB7	14	UART2_RTS#	—
44	RPB8/SCL1/CTED10/PMD4/RB8	58, 66	I2C SCL	1

**FIGURE 1: 100-PIN HEADER SCHEMATIC**

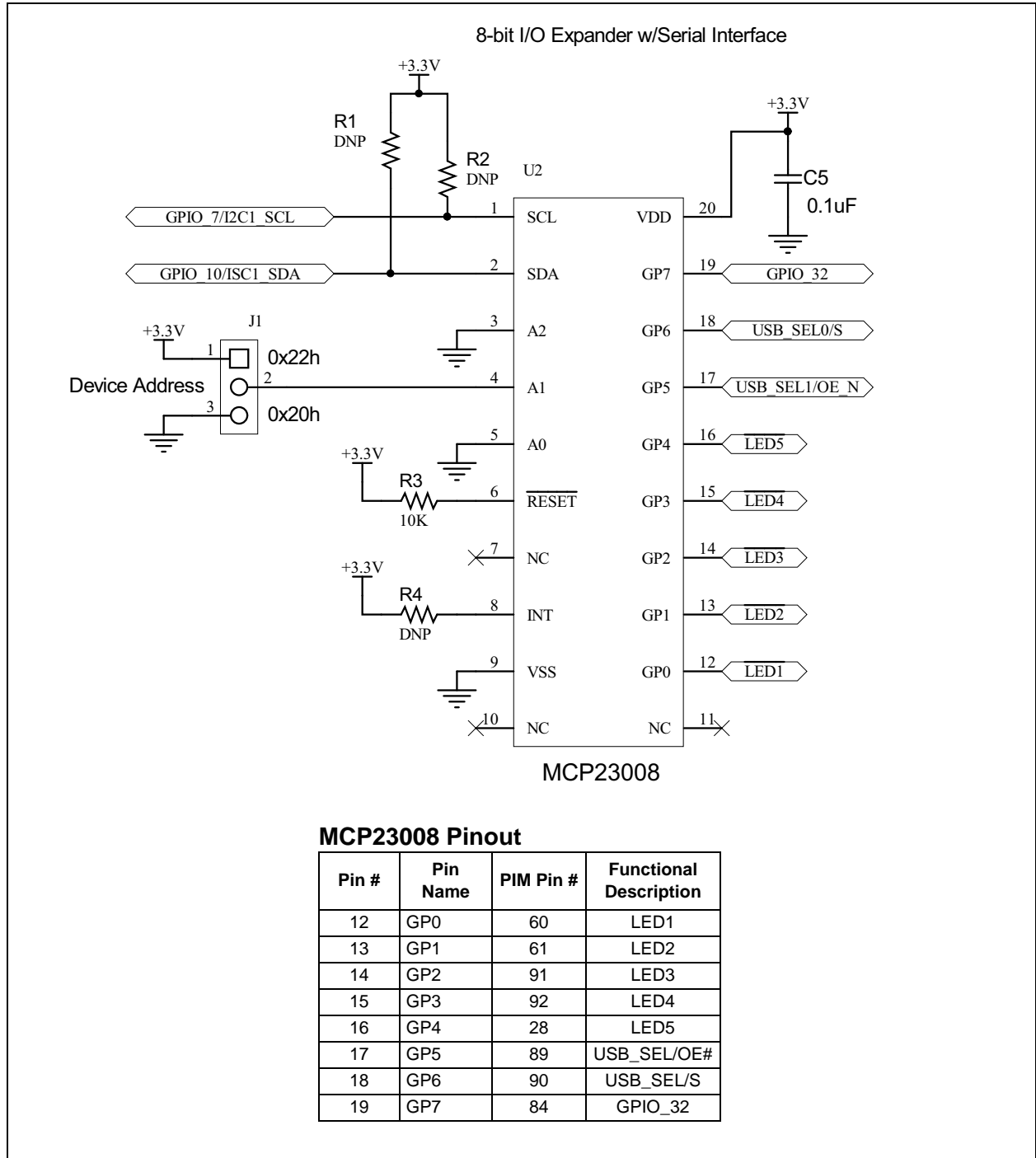


# PIC32MX270F256D

FIGURE 2: 44-PIN DEVICE SCHEMATIC



**FIGURE 3: MCP23008 EXPANDER**



# PIC32MX270F256D

---

## REVISION HISTORY

### Revision A (May 2014)

This is the initial released version of this document.

---

---

**Note the following details of the code protection feature on Microchip devices:**

- Microchip products meet the specification contained in their particular Microchip Data Sheet.
- Microchip believes that its family of products is one of the most secure families of its kind on the market today, when used in the intended manner and under normal conditions.
- There are dishonest and possibly illegal methods used to breach the code protection feature. All of these methods, to our knowledge, require using the Microchip products in a manner outside the operating specifications contained in Microchip's Data Sheets. Most likely, the person doing so is engaged in theft of intellectual property.
- Microchip is willing to work with the customer who is concerned about the integrity of their code.
- Neither Microchip nor any other semiconductor manufacturer can guarantee the security of their code. Code protection does not mean that we are guaranteeing the product as "unbreakable."

Code protection is constantly evolving. We at Microchip are committed to continuously improving the code protection features of our products. Attempts to break Microchip's code protection feature may be a violation of the Digital Millennium Copyright Act. If such acts allow unauthorized access to your software or other copyrighted work, you may have a right to sue for relief under that Act.

---

Information contained in this publication regarding device applications and the like is provided only for your convenience and may be superseded by updates. It is your responsibility to ensure that your application meets with your specifications. MICROCHIP MAKES NO REPRESENTATIONS OR WARRANTIES OF ANY KIND WHETHER EXPRESS OR IMPLIED, WRITTEN OR ORAL, STATUTORY OR OTHERWISE, RELATED TO THE INFORMATION, INCLUDING BUT NOT LIMITED TO ITS CONDITION, QUALITY, PERFORMANCE, MERCHANTABILITY OR FITNESS FOR PURPOSE. Microchip disclaims all liability arising from this information and its use. Use of Microchip devices in life support and/or safety applications is entirely at the buyer's risk, and the buyer agrees to defend, indemnify and hold harmless Microchip from any and all damages, claims, suits, or expenses resulting from such use. No licenses are conveyed, implicitly or otherwise, under any Microchip intellectual property rights.

#### **Trademarks**

The Microchip name and logo, the Microchip logo, dsPIC, FlashFlex, KEELOQ, KEELOQ logo, MPLAB, PIC, PICmicro, PICSTART, PIC<sup>32</sup> logo, rPIC, SST, SST Logo, SuperFlash and UNI/O are registered trademarks of Microchip Technology Incorporated in the U.S.A. and other countries.

FilterLab, Hampshire, HI-TECH C, Linear Active Thermistor, MTP, SEEVAL and The Embedded Control Solutions Company are registered trademarks of Microchip Technology Incorporated in the U.S.A.

Silicon Storage Technology is a registered trademark of Microchip Technology Inc. in other countries.


Analog-for-the-Digital Age, Application Maestro, BodyCom, chipKIT, chipKIT logo, CodeGuard, dsPICDEM, dsPICDEM.net, dsPICworks, dsSPEAK, ECAN, ECONOMONITOR, FanSense, HI-TIDE, In-Circuit Serial Programming, ICSP, Mindi, MiWi, MPASM, MPF, MPLAB Certified logo, MPLIB, MPLINK, mTouch, Omniscient Code Generation, PICC, PICC-18, PICDEM, PICDEM.net, PICkit, PICTail, REAL ICE, rLAB, Select Mode, SQI, Serial Quad I/O, Total Endurance, TSHARC, UniWinDriver, WiperLock, ZENA and Z-Scale are trademarks of Microchip Technology Incorporated in the U.S.A. and other countries.

SQTP is a service mark of Microchip Technology Incorporated in the U.S.A.

GestIC and ULPP are registered trademarks of Microchip Technology Germany II GmbH & Co. KG, a subsidiary of Microchip Technology Inc., in other countries.

All other trademarks mentioned herein are property of their respective companies.

© 2014, Microchip Technology Incorporated, Printed in the U.S.A., All Rights Reserved.

 Printed on recycled paper.

ISBN: 978-1-63276-195-8

**QUALITY MANAGEMENT SYSTEM  
CERTIFIED BY DNV  
= ISO/TS 16949 =**

*Microchip received ISO/TS-16949:2009 certification for its worldwide headquarters, design and wafer fabrication facilities in Chandler and Tempe, Arizona; Gresham, Oregon and design centers in California and India. The Company's quality system processes and procedures are for its PIC<sup>®</sup> MCUs and dsPIC<sup>®</sup> DSCs, KEELOQ<sup>®</sup> code hopping devices, Serial EEPROMs, microperipherals, nonvolatile memory and analog products. In addition, Microchip's quality system for the design and manufacture of development systems is ISO 9001:2000 certified.*



# MICROCHIP

## Worldwide Sales and Service

### AMERICAS

**Corporate Office**  
2355 West Chandler Blvd.  
Chandler, AZ 85224-6199  
Tel: 480-792-7200  
Fax: 480-792-7277  
Technical Support:  
<http://www.microchip.com/support>  
Web Address:  
[www.microchip.com](http://www.microchip.com)

**Atlanta**  
Duluth, GA  
Tel: 678-957-9614  
Fax: 678-957-1455

**Austin, TX**  
Tel: 512-257-3370

**Boston**  
Westborough, MA  
Tel: 774-760-0087  
Fax: 774-760-0088

**Chicago**  
Itasca, IL  
Tel: 630-285-0071  
Fax: 630-285-0075

**Cleveland**  
Independence, OH  
Tel: 216-447-0464  
Fax: 216-447-0643

**Dallas**  
Addison, TX  
Tel: 972-818-7423  
Fax: 972-818-2924

**Detroit**  
Novi, MI  
Tel: 248-848-4000

**Houston, TX**  
Tel: 281-894-5983

**Indianapolis**  
Noblesville, IN  
Tel: 317-773-8323  
Fax: 317-773-5453

**Los Angeles**  
Mission Viejo, CA  
Tel: 949-462-9523  
Fax: 949-462-9608

**New York, NY**  
Tel: 631-435-6000

**San Jose, CA**  
Tel: 408-735-9110

**Canada - Toronto**  
Tel: 905-673-0699  
Fax: 905-673-6509

### ASIA/PACIFIC

**Asia Pacific Office**  
Suites 3707-14, 37th Floor  
Tower 6, The Gateway  
Harbour City, Kowloon  
Hong Kong  
Tel: 852-2943-5100  
Fax: 852-2401-3431

**Australia - Sydney**  
Tel: 61-2-9868-6733  
Fax: 61-2-9868-6755

**China - Beijing**  
Tel: 86-10-8569-7000  
Fax: 86-10-8528-2104

**China - Chengdu**  
Tel: 86-28-8665-5511  
Fax: 86-28-8665-7889

**China - Chongqing**  
Tel: 86-23-8980-9588  
Fax: 86-23-8980-9500

**China - Hangzhou**  
Tel: 86-571-8792-8115  
Fax: 86-571-8792-8116

**China - Hong Kong SAR**  
Tel: 852-2943-5100  
Fax: 852-2401-3431

**China - Nanjing**  
Tel: 86-25-8473-2460  
Fax: 86-25-8473-2470

**China - Qingdao**  
Tel: 86-532-8502-7355  
Fax: 86-532-8502-7205

**China - Shanghai**  
Tel: 86-21-5407-5533  
Fax: 86-21-5407-5066

**China - Shenyang**  
Tel: 86-24-2334-2829  
Fax: 86-24-2334-2393

**China - Shenzhen**  
Tel: 86-755-8864-2200  
Fax: 86-755-8203-1760

**China - Wuhan**  
Tel: 86-27-5980-5300  
Fax: 86-27-5980-5118

**China - Xian**  
Tel: 86-29-8833-7252  
Fax: 86-29-8833-7256

**China - Xiamen**  
Tel: 86-592-2388138  
Fax: 86-592-2388130

**China - Zhuhai**  
Tel: 86-756-3210040  
Fax: 86-756-3210049

### ASIA/PACIFIC

**India - Bangalore**  
Tel: 91-80-3090-4444  
Fax: 91-80-3090-4123

**India - New Delhi**  
Tel: 91-11-4160-8631  
Fax: 91-11-4160-8632

**India - Pune**  
Tel: 91-20-3019-1500

**Japan - Osaka**  
Tel: 81-6-6152-7160  
Fax: 81-6-6152-9310

**Japan - Tokyo**  
Tel: 81-3-6880-3770  
Fax: 81-3-6880-3771

**Korea - Daegu**  
Tel: 82-53-744-4301  
Fax: 82-53-744-4302

**Korea - Seoul**  
Tel: 82-2-554-7200  
Fax: 82-2-558-5932 or  
82-2-558-5934

**Malaysia - Kuala Lumpur**  
Tel: 60-3-6201-9857  
Fax: 60-3-6201-9859

**Malaysia - Penang**  
Tel: 60-4-227-8870  
Fax: 60-4-227-4068

**Philippines - Manila**  
Tel: 63-2-634-9065  
Fax: 63-2-634-9069

**Singapore**  
Tel: 65-6334-8870  
Fax: 65-6334-8850

**Taiwan - Hsin Chu**  
Tel: 886-3-5778-366  
Fax: 886-3-5770-955

**Taiwan - Kaohsiung**  
Tel: 886-7-213-7830

**Taiwan - Taipei**  
Tel: 886-2-2508-8600  
Fax: 886-2-2508-0102

**Thailand - Bangkok**  
Tel: 66-2-694-1351  
Fax: 66-2-694-1350

### EUROPE

**Austria - Wels**  
Tel: 43-7242-2244-39  
Fax: 43-7242-2244-393

**Denmark - Copenhagen**  
Tel: 45-4450-2828  
Fax: 45-4485-2829

**France - Paris**  
Tel: 33-1-69-53-63-20  
Fax: 33-1-69-30-90-79

**Germany - Dusseldorf**  
Tel: 49-2129-3766400

**Germany - Munich**  
Tel: 49-89-627-144-0  
Fax: 49-89-627-144-44

**Germany - Pforzheim**  
Tel: 49-7231-424750

**Italy - Milan**  
Tel: 39-0331-742611  
Fax: 39-0331-466781

**Italy - Venice**  
Tel: 39-049-7625286

**Netherlands - Druenen**  
Tel: 31-416-690399  
Fax: 31-416-690340

**Poland - Warsaw**  
Tel: 48-22-3325737

**Spain - Madrid**  
Tel: 34-91-708-08-90  
Fax: 34-91-708-08-91

**Sweden - Stockholm**  
Tel: 46-8-5090-4654

**UK - Wokingham**  
Tel: 44-118-921-5800  
Fax: 44-118-921-5820

03/25/14