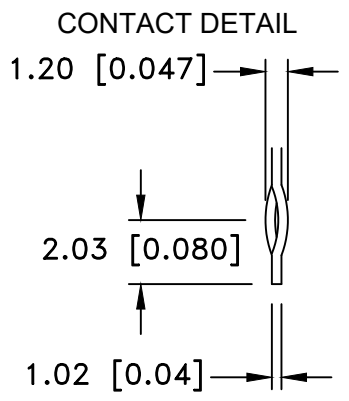
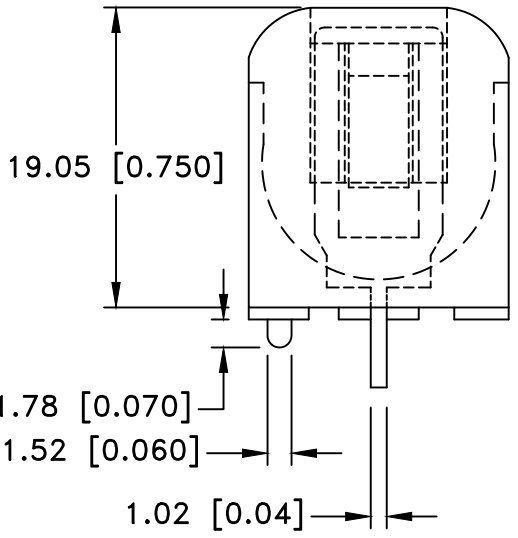
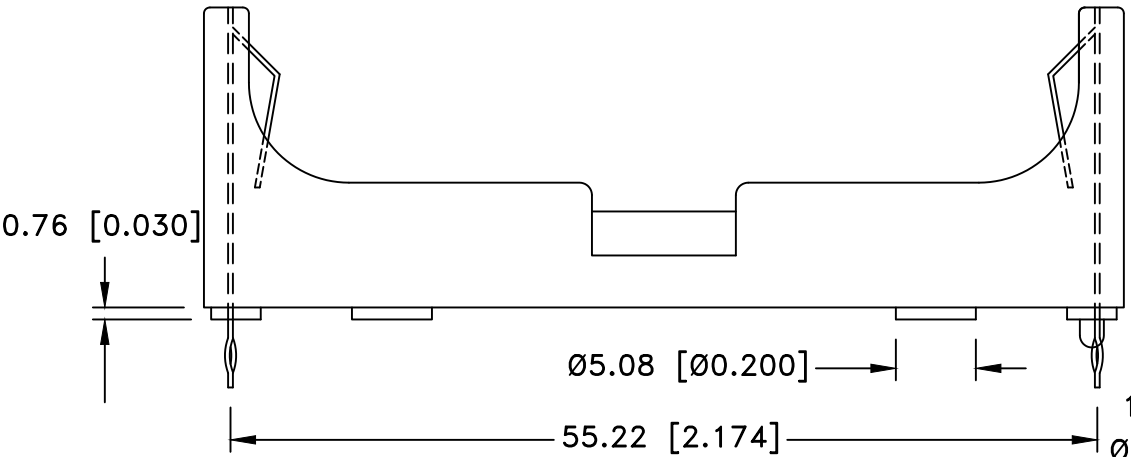
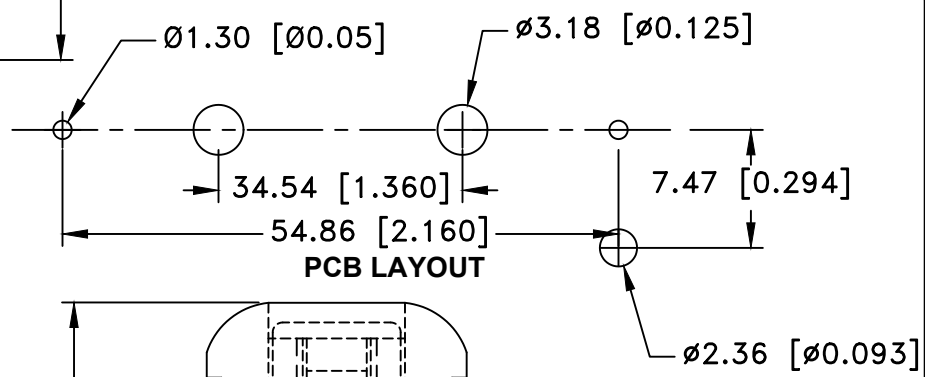
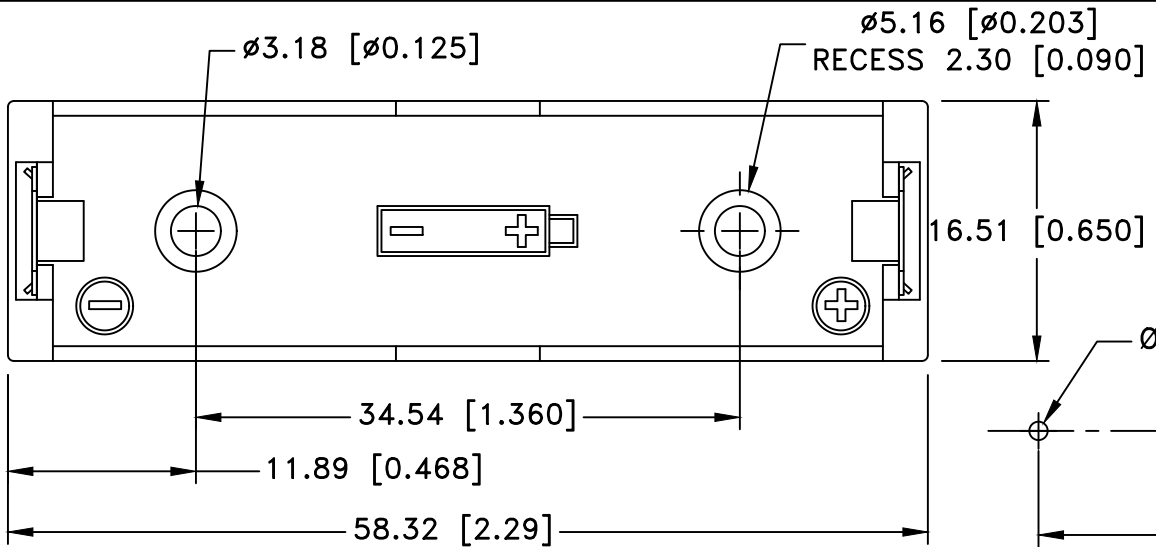


Date	SYM	REVISION RECORD	AUTH	DR.	CK.
04/21/17	E	DIM. 11.89 WAS 12.14 DIM. 58.32 WAS 58.92 DIM. 55.22 WAS 54.86 DIM. 0.51 WAS 1.02	T.B.	B.S.	
12/29/17	F	MILLISECONDS WAS MICRO SECONDS	T.B.	B.S.	
04/05/19	G	DIM. 1.02 WAS 0.51 DIM. Ø1.30 WAS Ø1.17 Dim. 1.20 was 0.81 Dim. 1.02 was 0.41 Removed Dim. 5.33	T.B.	B.S.	




SPECIFICATIONS:

Holder Material: Black PBT, Flammability Rating: UL94V-0, FILE #E53829
 Contacts: 301 Spring temper stainless steel, nickel plated overall
 Dielectric strength: 560 Volts/mil at 25°C for 5 Sec.
 Temperature Range: -55°C to +180°C

Vibration Test: 10-50-10 Hz swept in 60 seconds
 X,Y,Z direction: 1 hour each direction, No dislodgement of the cell or damage, No discontinuity over 10 micro-seconds
 Shock Test: Half sine wave acceleration 150g. 6 milliseconds, 1 shock pulses each direction per axis, total of 6 pulses, No evidence of physical damage

NOTES: Eyelet Stimpson style #A1883 0.110" OD x 0.190" Flange
 Flange Recess $\phi 0.203$ " x 0.090" Deep
 Accepts Standard 2-56 Machine Screws

Accessories: BI-UM-3-4, Insulator
 ROHS COMPLIANT

Tolerance (Except as noted)	 Memory Protection Devices, Inc 200 Broad Hollow Road, Farmingdale, New York 11735			
decimal $\pm .5$ (.020)		Scale	Drawn By B.S.	
Fractional $\pm .8$ (.030)	Title	AA HOLDER		
Angular $\pm 3^\circ$	Date	Drawing Number		
	04/05/19	BHAA-3		