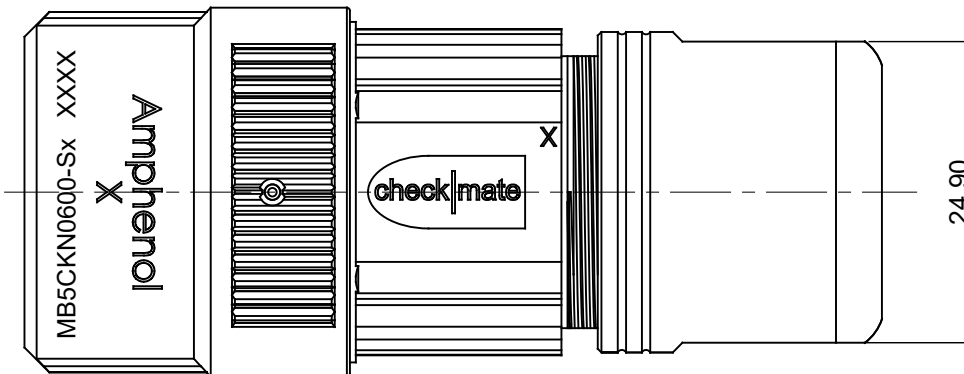
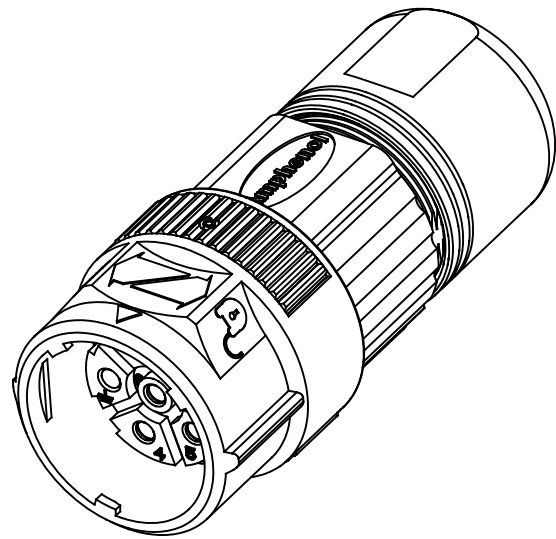
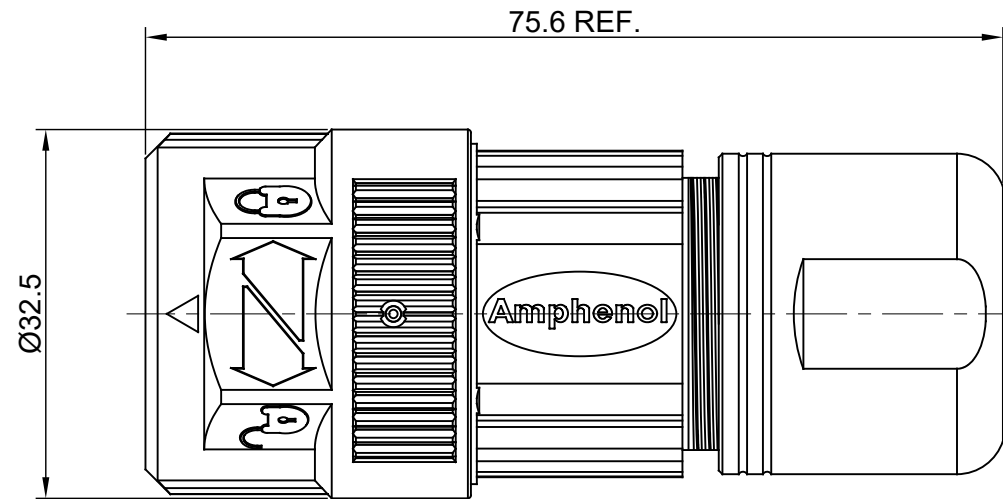
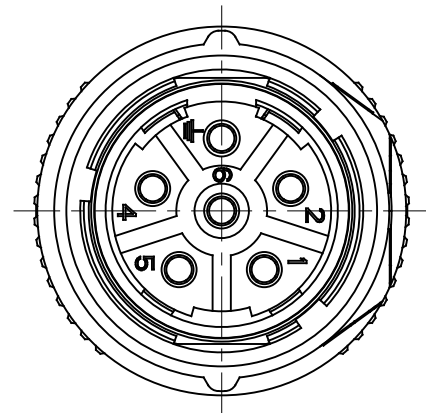


REVISIONS					
REV	ECO	DESCRIPTION	DATE	BY	APPR
A1	-	FIRST RELEASE	Nov.6,2017	White	Tommy
A2	-	ADDED ITEM 5 TO BOM.	12/13/2021	RO	RO



NOTES: UNLESS OTHERWISE SPECIFIED

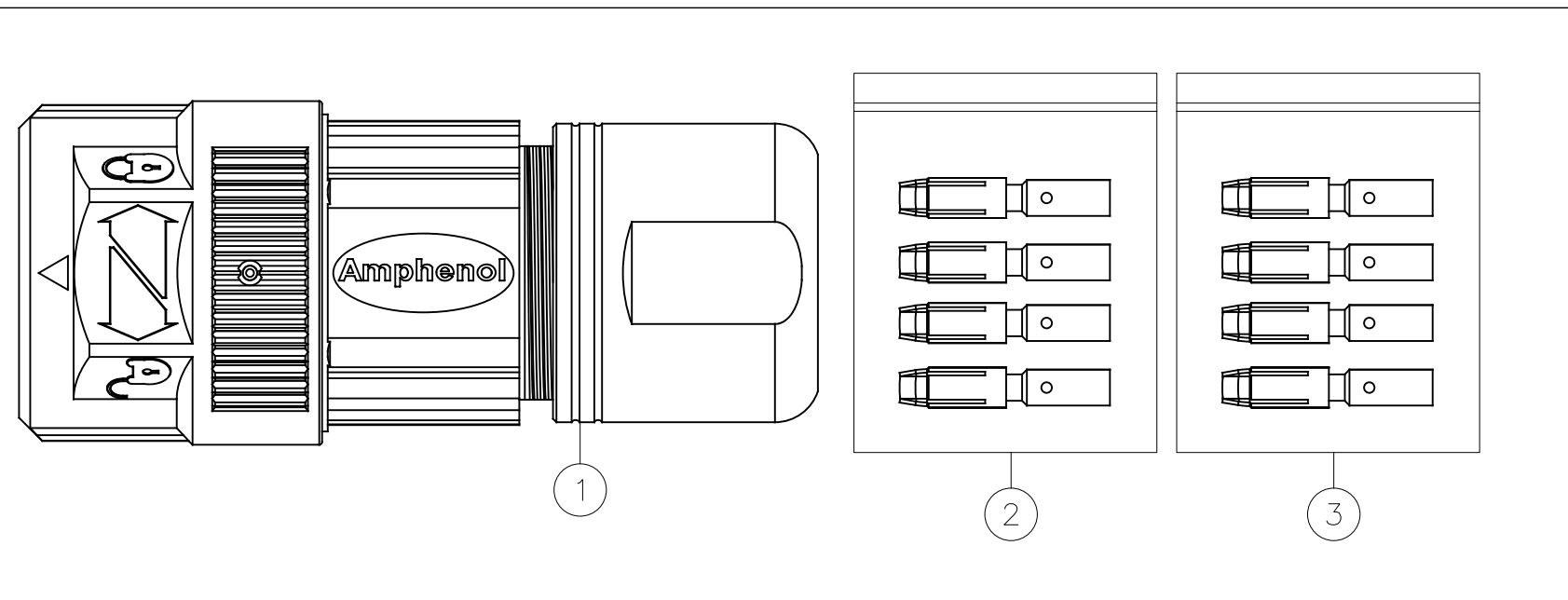
- MATERIAL:
  - INSULATION INSERT: PA66,UL94 V0
  - SEAL: VITON, EPDM
  - HOUSING BODY: ZINC DIE CAST, NICKEL PLATED
  - COUPLING NUT: ZINC DIE CAST, NICKEL PLATED
  - CONTACT: COPPER ALLOY, GOLD PLATED
- SPECIFICATIONS:
  - 2.1 CURRENT RATING: 28 AMPS
  - 2.2 VOLTAGE RATING: 630V AC/DC
  - 2.3 CONTACT RESISTANCE: <3 mOHMS
  - 2.4 OPERATING TEMPERATURE: -20°C TO +130°C
  - 2.5 DIELECTRIC WITHSTANDING VOLTAGE: LESS THAN 2 MILLIAMPS CURRENT LEAKAGE @ 6000 VOLTS AC.
  - 2.6 DEGREE OF PROTECTION: IP67 ( MATED CONDITION )
  - 2.7 DEGREE OF POLLUTION: 3 PER UL840
  - 2.8 OVERVOLTAGE CATEGORY: III PER UL840
  - 2.9 MATING CYCLE DURABILITY: >500 CYCLES
  - 2.10 RoHS COMPLIANT
- ALL DIMENSIONS ARE FOR REFERENCE USE ONLY.

Item	Part number	Connector P/N	Cable OD Range
1	MB5CKN0600-S1-KIT	MB5CKN0600-S1	7.5~11.0 mm
2	MB5CKN0600-S2-KIT	MB5CKN0600-S2	11.0~14.5 mm
3	MB5CKN0600-S3-KIT	MB5CKN0600-S3	14.5~17.0 mm

6	SC000523	M23B,ELITE SERIES,2.0MM SOCKET	3
6	SC000260	Socket contact,2.0mm,Crimp 14~18AWG	2
1	MB5CKN0600-Sx	CONNECTOR	1
QUANTITY	PART NUMBER	DESCRIPTION	ITEM

MATERIALS LIST

UNLESS OTHERWISE SPECIFIED		SIGNATURES		DATE	<h1>Amphenol</h1> <p>Sine Systems - www.amphenol-sine.com 44724 Morley Drive Clinton Township, MI 48036</p>
1) All dimensions are in metric(mm).		DRAWN: White	Nov.6,2017		
2) Tolerances are as follows:		CHECKED: Tod	Nov.6,2017		
1 PL DEC ±0.30 2 PL DEC ±0.15 3 PL DEC ±0.08		ENGINEER:			
3) Note reference =		APPROVAL: Tommy	Nov.6,2017		
MATERIAL SPECIFICATIONS:		CUSTOMER:			
PROCESS SPECIFICATIONS:		THIS DRAWING IS SUPPLIED FOR INFORMATION ONLY. DESIGN FEATURES, SPECIFICATIONS AND PERFORMANCE DATA SHOWN HEREON ARE THE PROPERTY OF THE AMPHENOL CORPORATION. NO RIGHTS OF REPRODUCTION ARE IMPLIED. ALL DIMENSIONS ARE SUBJECT TO NORMAL MANUFACTURING VARIATIONS.			
NEXT ASSY:		SIZE	TYPE	DWG NO.	REVISION
		B	C-	MB5CKN0600-Sx-KIT	A2
		SCALE: NONE			SHEET 1 OF 1



TITLE: KIT;M23B,PLUG,STR,6POS,CHECKMATE  
DWG NO: MB5CKN0600-Sx-KIT  
REV: A2  
SH: 1  
OF: 1