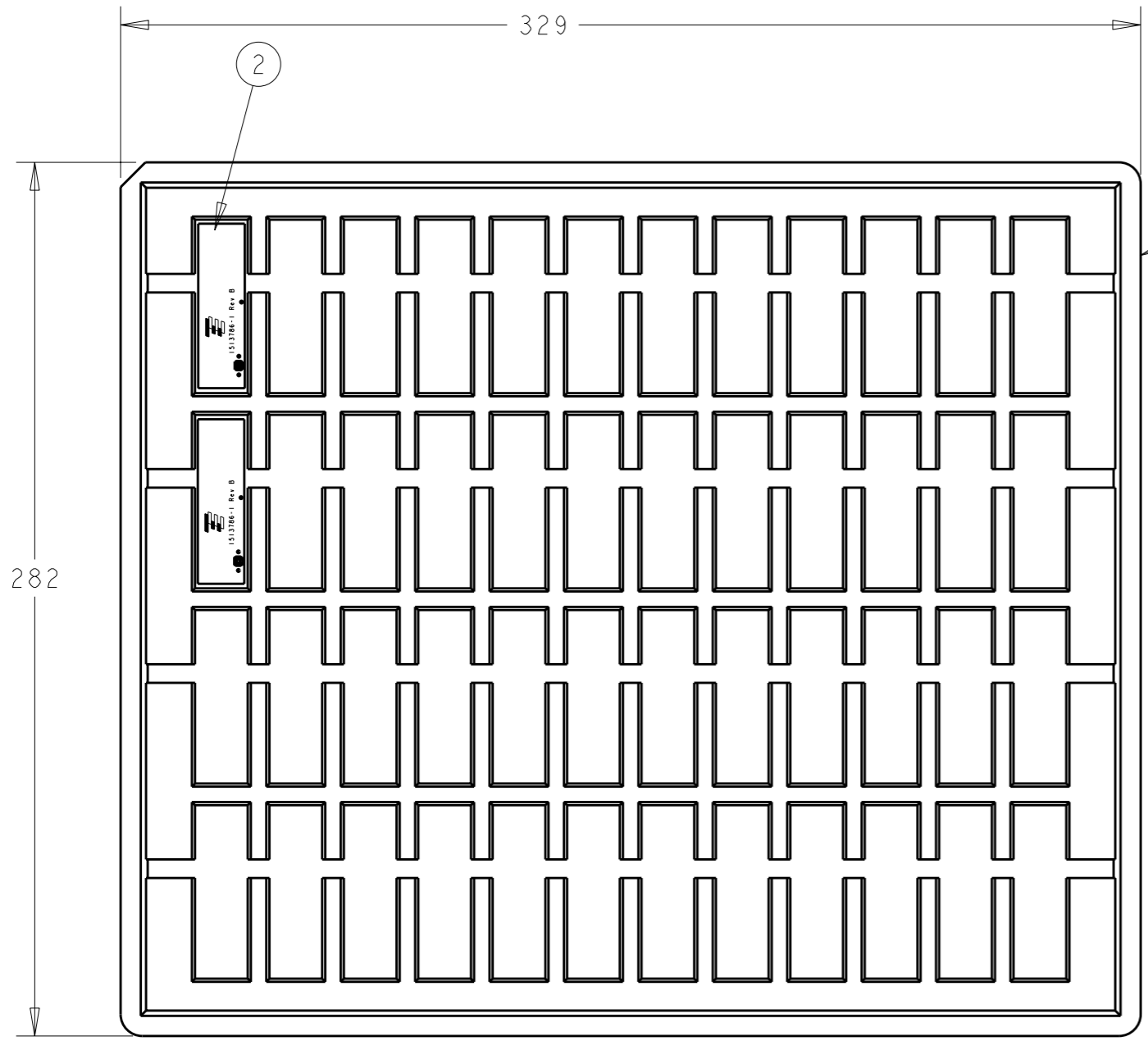


THIS DRAWING IS UNPUBLISHED. RELEASED FOR PUBLICATION 20
 © COPYRIGHT 20 BY TYCO ELECTRONICS CORPORATION. ALL RIGHTS RESERVED.

LOC	DIST	REVISIONS					
		P	LTR	DESCRIPTION	DATE	DWN	APVD
HQ	00		1	Release	24MAR2008	DJL	MAH
			2	Revised circuit pattern	22APR2008	DJL	MAH
			A	Release to production	12NOV2008	DJL	MAH
			B	REVISED CIRCUIT/BOARD THICKNESS	19MAY2009	VG	MAH



1513786-1 AS SHOWN 1

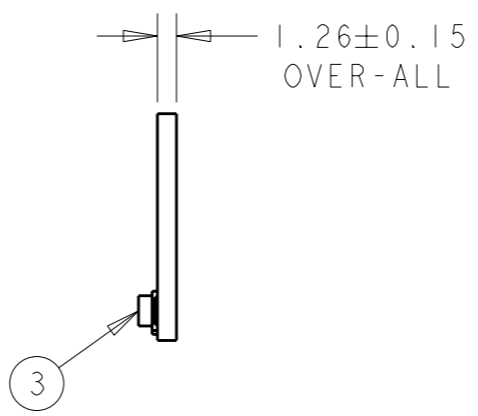
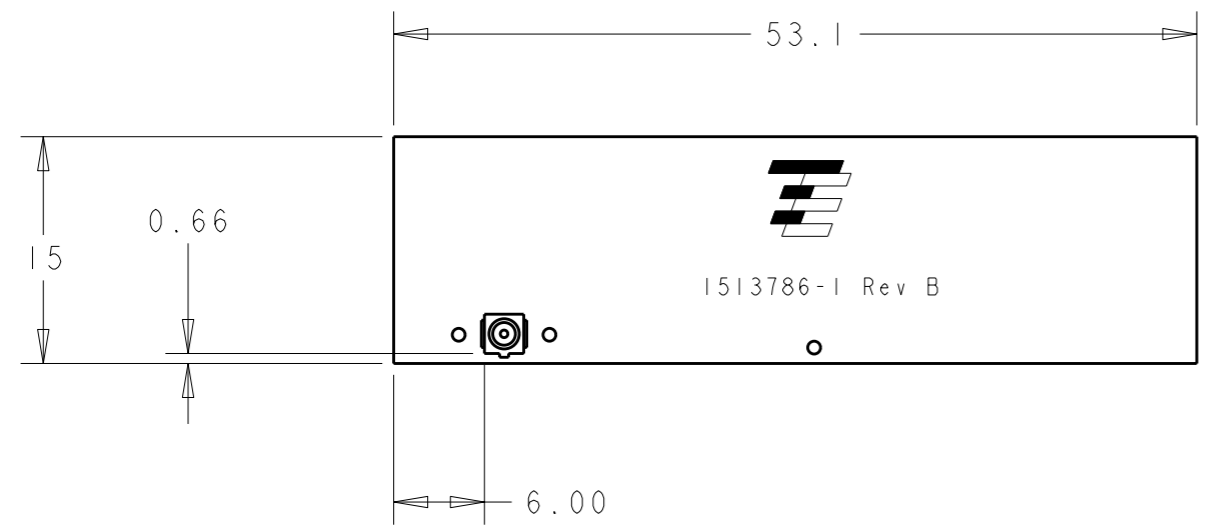
- NOTES: UNLESS OTHERWISE SPECIFIED.
1. INSERT PARTS IN POCKET IN DIRECTION AS SHOWN.
 2. EACH FULL TRAY OF PACKED PARTS TO BE ROTATED 180° FOR STACKING.
 3. PARTS ARE RoHS COMPLIANT PER TYCO ELECTRONICS STANDARD 230-702.

UNIT	QTY	MATERIAL	PART NUMBER	ITEM NUMBER
PC	1/48	TRAY	5-1569213-7	3
PC	1	PCB ASSEMBLY	1513786-2	2
PC	1	1513785-2 5-1569213-7	1513786-1	1

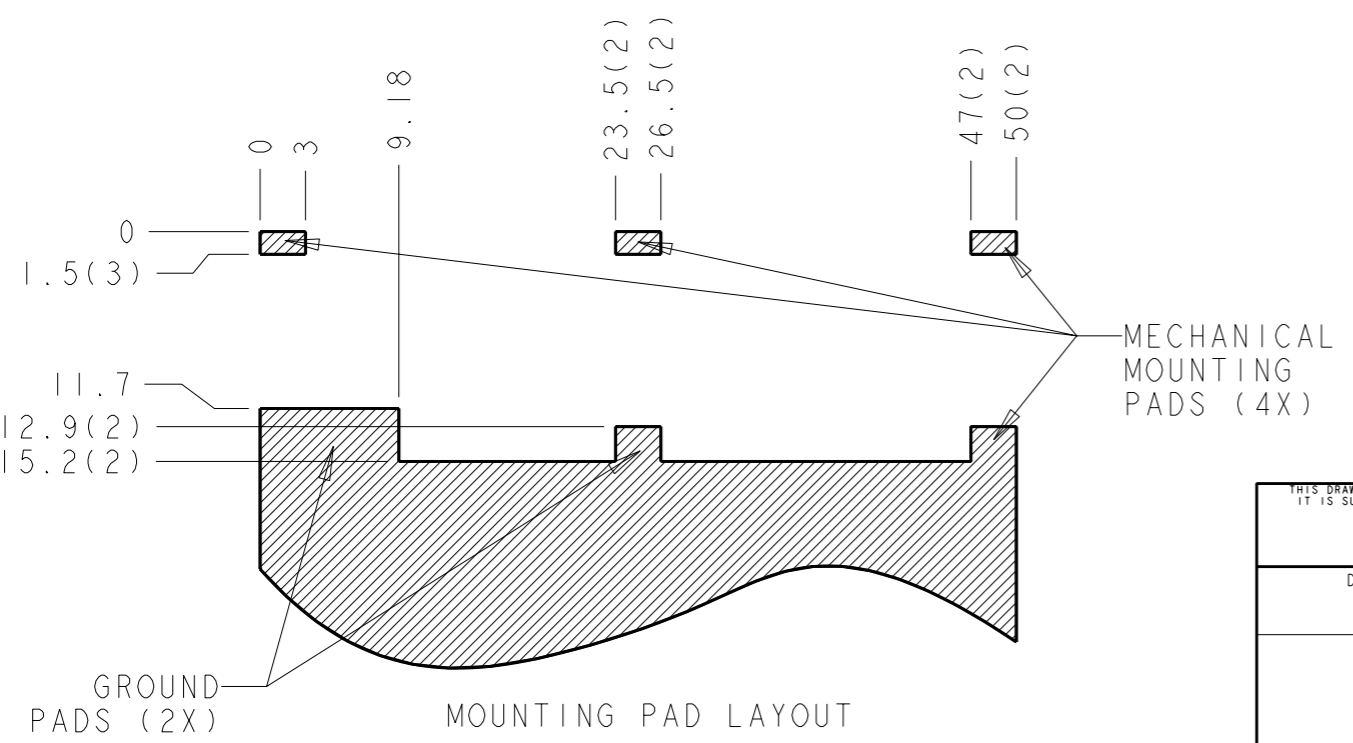
<small>THIS DRAWING IS A CONTROLLED DOCUMENT FOR TYCO ELECTRONICS CORPORATION IT IS SUBJECT TO CHANGE AND THE CONTROLLING ENGINEERING ORGANIZATION SHOULD BE CONTACTED FOR THE LATEST REVISION.</small>		DWN DJL 24MAR2008 CHK - APVD - PRODUCT SPEC - APPLICATION SPEC - WEIGHT -	Tyco Electronics Tyco Electronics Rochester, New York 14623 NAME GSM/UMTS Aux. PCB Packaging Drawing	SIZE A3 CAGE CODE 00779 DRAWING NO C-1513786 RESTRICTED TO -
DIMENSIONS: mm 	TOLERANCES UNLESS OTHERWISE SPECIFIED: 0 PLC ±2.54 1 PLC ±1.27 2 PLC ±0.25 3 PLC ±0.127 4 PLC ±- ANGLES ±0.5°	MATERIAL - FINISH -	SCALE 1:2 SHEET 1 OF 2 REV B	CUSTOMER DRAWING

THIS DRAWING IS UNPUBLISHED. RELEASED FOR PUBLICATION 20
 © COPYRIGHT 20 BY TYCO ELECTRONICS CORPORATION. ALL RIGHTS RESERVED.

LOC	DIST	REVISIONS				
P	LTR	DESCRIPTION	DATE	DWN	APVD	
HQ	00	-	SEE SHEET 1	-	-	



- NOTES: UNLESS OTHERWISE SPECIFIED.
- FABRICATED TO MEET IPC - 6012, CLASS 2.
 - MATERIAL: GETEK 6 PLY (7628) 1.12 [.044"] THK. P/N RG200D 1/2 OZ. COPPER BOTH SIDES. DIELECTRIC CONSTANT @ 1MHz 4.2 ± 0.1.
 - FINISH:
 A: SOLDERMASK OVER BARE COPPER (SMOBC).
 B: MASK BOTH SIDES OF PCB WITH LPI SOLDERMASK. SOLDERMASK COLOR: NATURAL GREEN.
 C: IMMERSION TIN PLATING OVER EXPOSED COPPER.
 D: SILKSCREEN TO BE WHITE EPOXY INK.
 E: UL CODE, DATE CODE, AND ALL OTHER MARKINGS TO BE SILKSCREENED ONLY. NO ADDED ETCH ALLOWED.
 - GENERAL TOLERANCES:
 COPPER PATTERN ± 0.05
 OUTLINE ± 0.2
 OUTLINE ANGLES: ± 0.5°
 OUTLINE TO COPPER PATTERN ± 0.15
 SOLDERMASK TO COPPER PATTERN ± 0.15
 - PACKAGING: TRAY (SEE SHEET 1)
 - PARTS ARE COMPLIANT TO RoHS STANDARDS PER TYCO ELECTRONICS STANDARD 230-702.
 - ALL INFORMATION ON THIS DRAWING IS CONFIDENTIAL AND PROPRIETARY TO TYCO ELECTRONICS.



UNIT	QTY.	MATERIAL	PART NUMBER	ITEM NUMBER
PC	1	U.FL CONNECTOR	1566230-1 OR 1566230-2	3
I	1	PCB	1513786-3	2
PC	1	1513786-3 1566230-1 OR 1566230-2	1513786-2	1

THIS DRAWING IS A CONTROLLED DOCUMENT FOR TYCO ELECTRONICS CORPORATION. IT IS SUBJECT TO CHANGE AND THE CONTROLLING ENGINEERING ORGANIZATION SHOULD BE CONTACTED FOR THE LATEST REVISION.

DWN	DJL	24MAR2008	Tyco Electronics Rochester, New York 14623	
CHK	-	-	NAME GSM/UMTS Aux. PCB Assembly	
APVD	-	-	SIZE A3	
PRODUCT SPEC	-	-	CAGE CODE 00779	DRAWING NO 1513786
APPLICATION SPEC	-	-	RESTRICTED TO -	
WEIGHT	-	-	SCALE 2:1	
MATERIAL		FINISH	SHEET 2 OF 2	
-		-	REV B	

CUSTOMER DRAWING