



ANATECH ELECTRONICS INC
RF & Microwave Filters & Products

36.125 MHz Bandpass Filter

Part Number: AE36.125B6379



Electrical Specifications

Center Frequency: 36.125 MHz
Bandwidth: 32.125-40.125
Impedance: 75 Ohms
Rejection: >30dB @ 0-29.3 MHz
Rejection: 30dB @ 43.7-100 MHz
Insertion loss: <3dB @ 36.125MHz
VSWR: 1.5:1

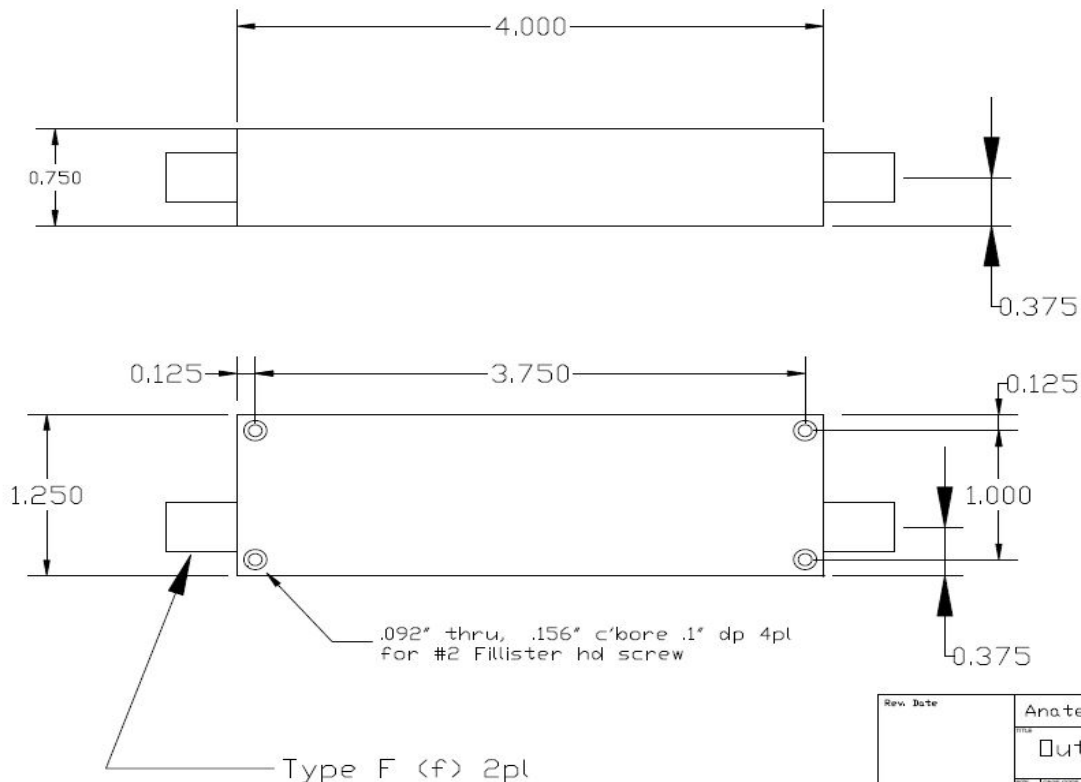
Mechanical

Mounting Method: Through Holes
Connector Type: F-Type(Female)
Dimensions: 4.0" X 1.250" x 0.75" in.

Environmental

Operating Temperature: -25°C to +70°C
Storage Temperature: -40°C to +90°C
Shock: 10 G. 11ms
Vibration: 10 G. 5 to 200Hz

Outline Drawing:



Rev. Date	Anatech Electronics Inc		
	TITLE		
	Outline Drawing		
DESIGN	DATE CODE	REV. NO.	REV. DATE
	OK0R2	986922	
DATE	08/08/08	DATE	



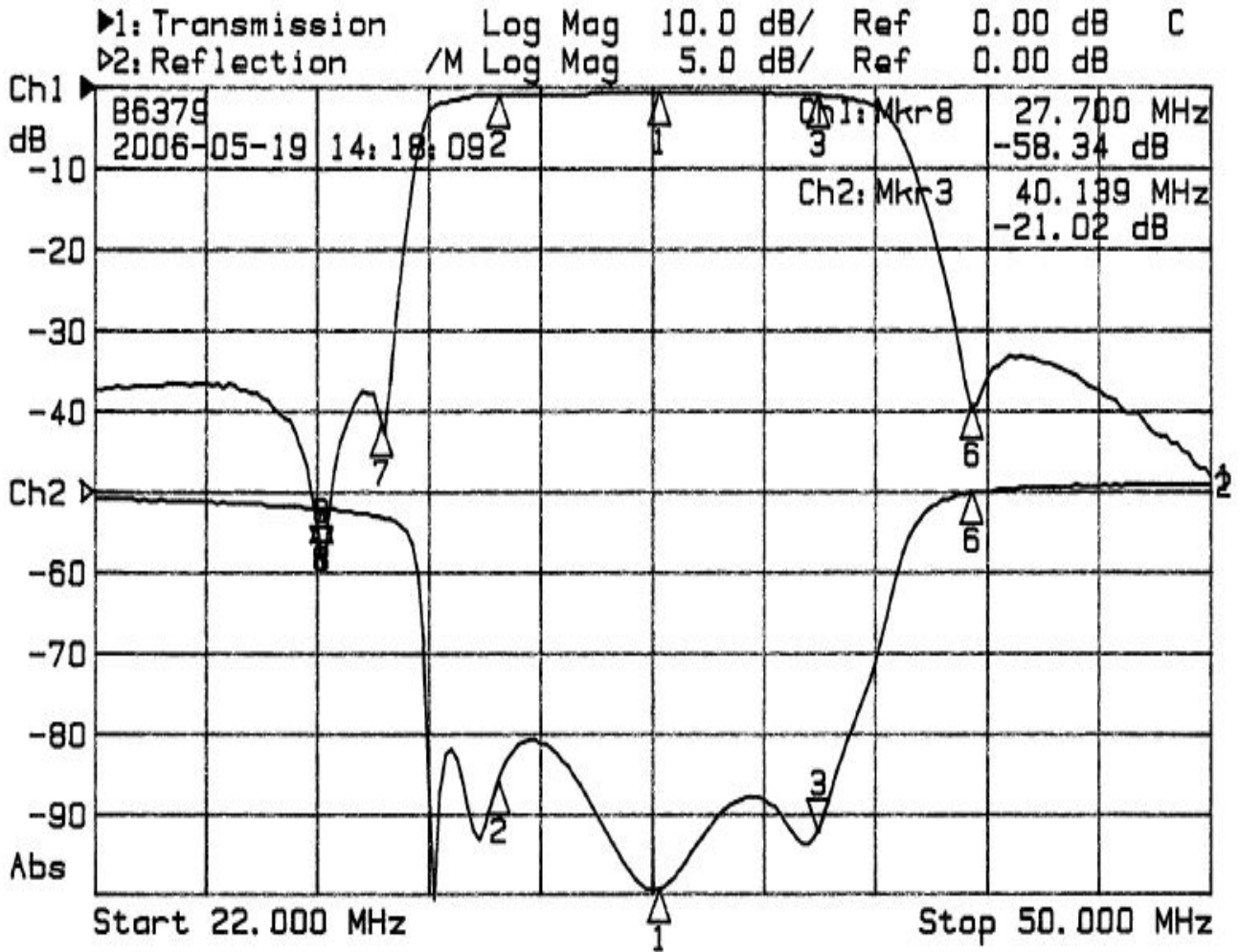
ANATECH ELECTRONICS INC
RF & Microwave Filters & Products

36.125 MHz Bandpass Filter

Part Number: AE36.125B6379



Response Plot:



1: Mkr (MHz)	dB	2: Mkr (MHz)	dB		
1:	36.16	-0.68	1:	36.16	-24.69
2:	32.13	-0.86	2:	32.13	-17.93
3:	40.14	-1.07	3>	40.14	-21.02
6:	44.00	-39.33	6:	44.00	-0.05
7:	29.20	-41.50	8:	27.70	-1.12
8>	27.70	-58.34			