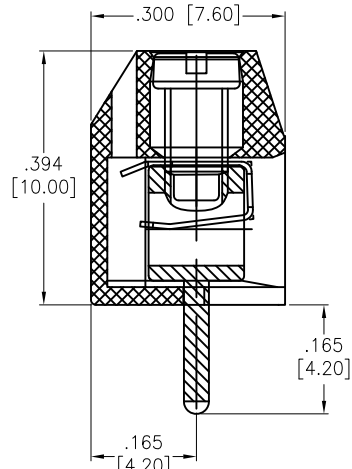
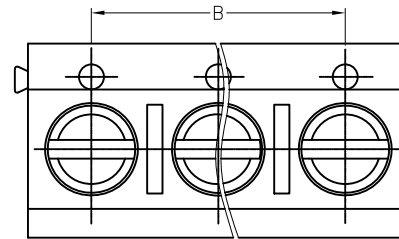
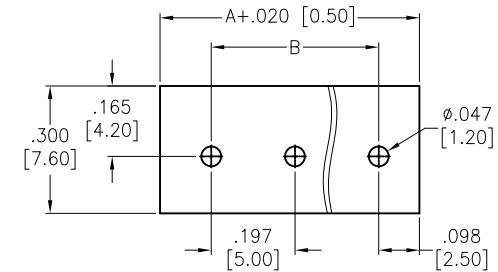
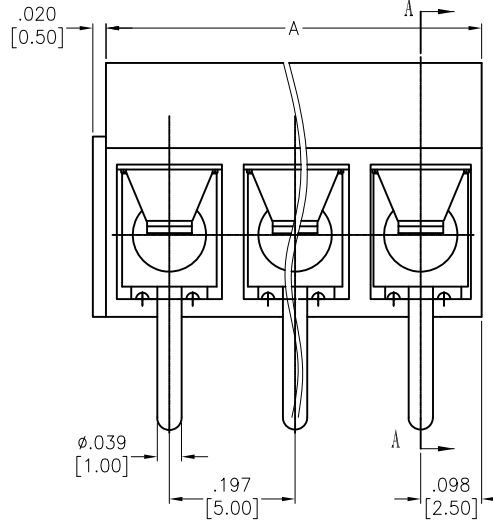


APPROVED: _____
 DATE: _____ TITLE: _____

Rev	AWO #	Description	Date	Appr
-		RELEASED	9/29/14	
A		UPDATE SPEC.	8/22/17	AY/RC1
B		UPDATE DRAWING	2/13/20	AY/RT
C		UPDATE DRAWING	2/23/21	LH/EY



SECTION A-A



RECOMMENDED PCB LAYOUT

SPECIFICATIONS:

Material:
 Insulator: PA66, rated UL 94V-0
 Insulator color: Blue
 Screw: M2.5, Steel, Zinc plated.
 Contact: Copper Alloy, Tin plated.
 Shrapnel: Stainless Steel

Electrical:
 Voltage rating: 250 V
 Current rating: 16 A
 Withstanding voltage: 1,500 VAC for 1 minute

Mechanical:
 Torque: 0.4N-m
 Wire Range: 22-14AWG
 Strip Length: 5-6mm
 Temperature Rating:

Operating temperature: -40°C to +105°C
 Environmental:
 Lead free, RoHS compliant.



Positions: 2 thru 24
 A = .197 [5.00] x No. of Positions
 B = .197 [5.00] x No. of Spaces

UNLESS OTHERWISE SPECIFIED ALL DIMENSIONS ARE INCHES [MM] TOLERANCES: EXCEPT AS NOTED		 909 Rahway Avenue, Union, NJ 07083 Phone: 908-687-5000 Fax: 908-687-5710	
INCHES			
.X ± .10	∅.X ± .10	TITLE EURO BLOCK, .197 [5.00] PITCH, SLOTTED SCREW	
.XX ± .020	∅.XX ± .015		
.XXX ± .015	∅.XXX ± .010		
APPROVALS		DATE	
DRAWN	AY	9/29/14	
CHECKED	GC	9/29/14	
APPROVED			
SIZE	PART NO.	REV.	
X	EBBA-XX-C-SS-BU	C	
REF:	S00067C	SCALE:	NTS
		SHEET 1 OF 1	