

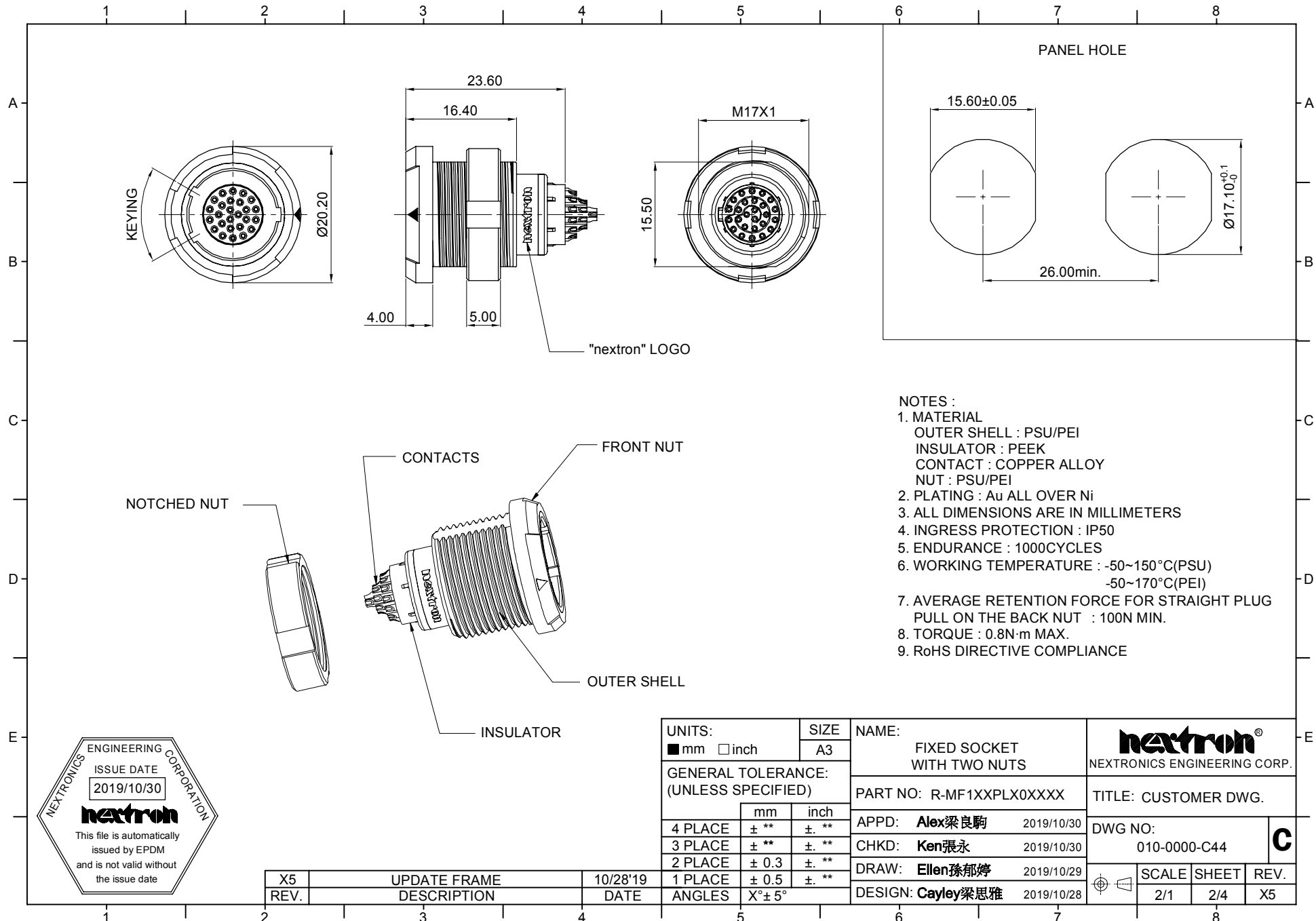
- NOTES :
- MATERIAL  
 OUTER SHELL : PSU/PEI  
 INSULATOR : PEEK  
 CONTACT : COPPER ALLOY  
 NUT : PSU/PEI
  - PLATING : Au ALL OVER Ni
  - ALL DIMENSIONS ARE IN MILLIMETERS
  - INGRESS PROTECTION : IP50
  - ENDURANCE : 1000CYCLES
  - WORKING TEMPERATURE : -50~150°C(PSU)  
 -50~170°C(PEI)
  - AVERAGE RETENTION FORCE FOR STRAIGHT PLUG  
 PULL ON THE BACK NUT : 100N MIN.
  - TORQUE : 0.8N·m MAX.
  - RoHS DIRECTIVE COMPLIANCE

ENGINEERING CORPORATION  
 ISSUE DATE  
 2019/10/30  
**nexttron**  
 This file is automatically  
 issued by EPDM  
 and is not valid without  
 the issue date

X5	UPDATE FRAME	10/28'19
REV.	DESCRIPTION	DATE

UNITS: ■ mm □ inch	SIZE A3	NAME: FIXED SOCKET WITH TWO NUTS	 NEXTRONICS ENGINEERING CORP.								
GENERAL TOLERANCE: (UNLESS SPECIFIED)		PART NO: R-MF1XXPLX0XXXX	TITLE: CUSTOMER DWG.								
4 PLACE	± **	mm	APPD: Alex梁良駒	2019/10/30	DWG NO: 010-0000-C44						
3 PLACE	± **	inch	CHKD: Ken張永	2019/10/30							
2 PLACE	± 0.3	mm	DRAW: Ellen孫郁婷	2019/10/29	<table border="1"> <tr> <td>SCALE</td> <td>SHEET</td> <td>REV.</td> </tr> <tr> <td>2/1</td> <td>1/4</td> <td>X5</td> </tr> </table>	SCALE	SHEET	REV.	2/1	1/4	X5
SCALE	SHEET	REV.									
2/1	1/4	X5									
1 PLACE	± 0.5	inch	DESIGN: Cayley梁思雅	2019/10/28							
ANGLES	X° ± 5°										

CONFIDENTIAL: THIS DOCUMENT CONTAINED THE INFORMATION IS PROPRIETARY AND CONFIDENTIAL TO Nextronics Engineering Corp.  
 NO PERSON IS ALLOWED TO USE COPY, PUBLISH OR OTHERWISE DISCLOSE THE INFORMATION TO OTHERS, UNLESS BY THE PRIOR  
 WRITTEN EXPRESS AUTHORIZATION OF Nextronics Engineering Corp. (C)COPYRIGHT- Nextronics Engineering Corp.



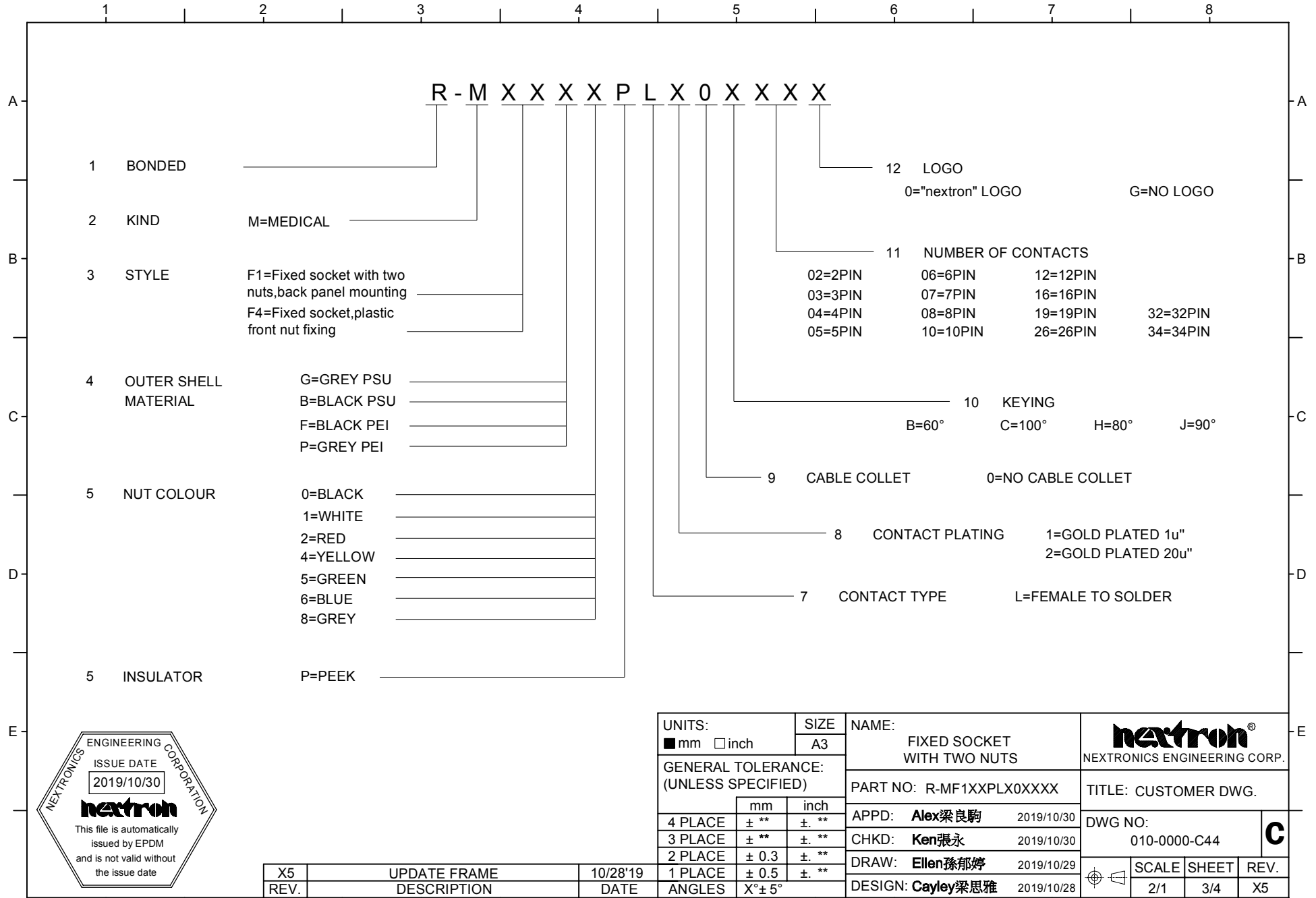
- NOTES :
1. MATERIAL  
 OUTER SHELL : PSU/PEI  
 INSULATOR : PEEK  
 CONTACT : COPPER ALLOY  
 NUT : PSU/PEI
  2. PLATING : Au ALL OVER Ni
  3. ALL DIMENSIONS ARE IN MILLIMETERS
  4. INGRESS PROTECTION : IP50
  5. ENDURANCE : 1000CYCLES
  6. WORKING TEMPERATURE : -50~150°C(PSU)  
 -50~170°C(PEI)
  7. AVERAGE RETENTION FORCE FOR STRAIGHT PLUG  
 PULL ON THE BACK NUT : 100N MIN.
  8. TORQUE : 0.8N·m MAX.
  9. RoHS DIRECTIVE COMPLIANCE

ENGINEERING CORPORATION  
 ISSUE DATE  
 2019/10/30  
**nexttron**  
 This file is automatically issued by EPDM and is not valid without the issue date

X5	UPDATE FRAME	10/28'19
REV.	DESCRIPTION	DATE

UNITS: ■ mm □ inch	SIZE A3	NAME: FIXED SOCKET WITH TWO NUTS	<b>nexttron</b> <sup>®</sup> NEXTRONICS ENGINEERING CORP.	
GENERAL TOLERANCE: (UNLESS SPECIFIED)		PART NO: R-MF1XXPLX0XXXX	TITLE: CUSTOMER DWG.	
	mm inch	APPD: Alex梁良駒 2019/10/30	DWG NO: 010-0000-C44	
4 PLACE	± ** ± **	CHKD: Ken張永 2019/10/30	<b>C</b>	
3 PLACE	± ** ± **	DRAW: Ellen孫郁婷 2019/10/29		
2 PLACE	± 0.3 ± **	DESIGN: Cayley梁思雅 2019/10/28	SCALE	SHEET
1 PLACE	± 0.5 ± **		2/1	2/4
ANGLES	X° ± 5°		REV.	X5

CONFIDENTIAL: THIS DOCUMENT CONTAINED THE INFORMATION IS PROPRIETARY AND CONFIDENTIAL TO Nextronics Engineering Corp. NO PERSON IS ALLOWED TO USE COPY, PUBLISH OR OTHERWISE DISCLOSE THE INFORMATION TO OTHERS, UNLESS BY THE PRIOR WRITTEN EXPRESS AUTHORIZATION OF Nextronics Engineering Corp. (C)COPYRIGHT- Nextronics Engineering Corp.



CONFIDENTIAL: THIS DOCUMENT CONTAINED THE INFORMATION IS PROPRIETARY AND CONFIDENTIAL TO Nextronics Engineering Corp. NO PERSON IS ALLOWED TO USE COPY, PUBLISH OR OTHERWISE DISCLOSE THE INFORMATION TO OTHERS, UNLESS BY THE PRIOR WRITTEN EXPRESS AUTHORIZATION OF Nextronics Engineering Corp. (C)COPYRIGHT- Nextronics Engineering Corp.

1 2 3 4 5 6 7 8

A A

INSERT DATA SHEET

NUMBER OF CONTACTS	2	3	4	5	6	7	8	10	12	16	19
VIEW FROM TERMINATION SIDE											
CONTACT Ø(mm)	2.0	1.6	1.3	1.3	1.3	1.3	0.9	0.9	0.7	0.7	0.7
SOLDER BUCKET Ø(mm)	1.8	1.4	1.0	1.0	1.0	1.0	0.8	0.8	0.8	0.8	0.8
RATED CURRENT(A)	30	17	15	14	12	11	10	8.0	7.0	6.0	5.0

B B

INSERT DATA SHEET

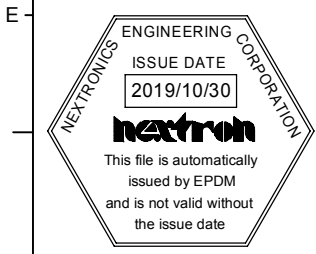
NUMBER OF CONTACTS	26	32	34
VIEW FROM TERMINATION SIDE			
CONTACT Ø(mm)	0.5	0.5	0.5
SOLDER BUCKET Ø(mm)	0.4	0.4	0.4
RATED CURRENT(A)	2.0	1.5	1.5

ALIGNMENT KEY

KEYING (SOCKET FRONT VIEW)				
	60°	80°	90°	100°
REFERENCE	B	H	J	C

C C

D D



X5	UPDATE FRAME	10/28'19
REV.	DESCRIPTION	DATE

UNITS: ■ mm □ inch	SIZE A3	NAME: FIXED SOCKET WITH TWO NUTS	<b>nexttron</b> <sup>®</sup> NEXTTRONICS ENGINEERING CORP.
GENERAL TOLERANCE: (UNLESS SPECIFIED)		PART NO: R-MF1XXPLX0XXXX	TITLE: CUSTOMER DWG.
4 PLACE ± **	± **. **	APPD: Alex梁良駒 2019/10/30	DWG NO: 010-0000-C44
3 PLACE ± **	± **. **	CHKD: Ken張永 2019/10/30	<b>C</b>
2 PLACE ± 0.3	± **. **	DRAW: Ellen孫郁婷 2019/10/29	
1 PLACE ± 0.5	± **. **	DESIGN: Cayley梁思雅 2019/10/28	SCALE SHEET REV.
ANGLES X° ± 5°			2/1 4/4 X5

E E

CONFIDENTIAL: THIS DOCUMENT CONTAINED THE INFORMATION IS PROPRIETARY AND CONFIDENTIAL TO Nextronics Engineering Corp. NO PERSON IS ALLOWED TO USE COPY, PUBLISH OR OTHERWISE DISCLOSE THE INFORMATION TO OTHERS, UNLESS BY THE PRIOR WRITTEN EXPRESS AUTHORIZATION OF Nextronics Engineering Corp. (C)COPYRIGHT- Nextronics Engineering Corp.