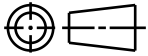
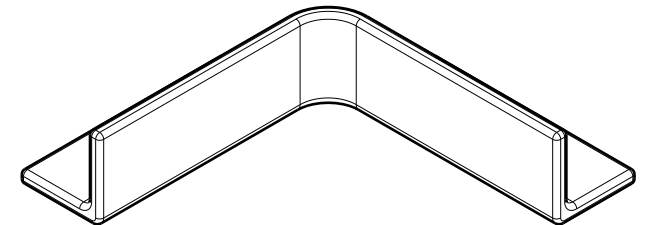
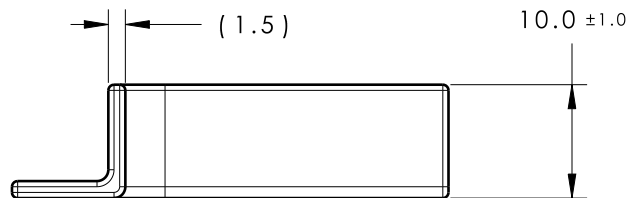
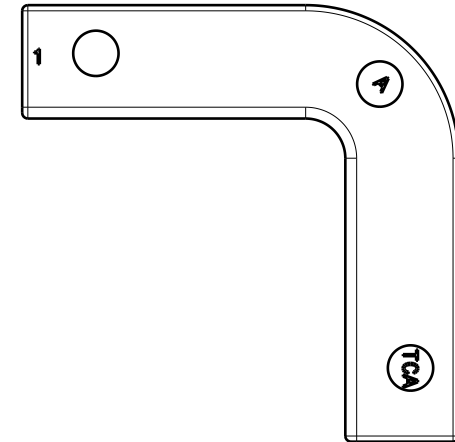
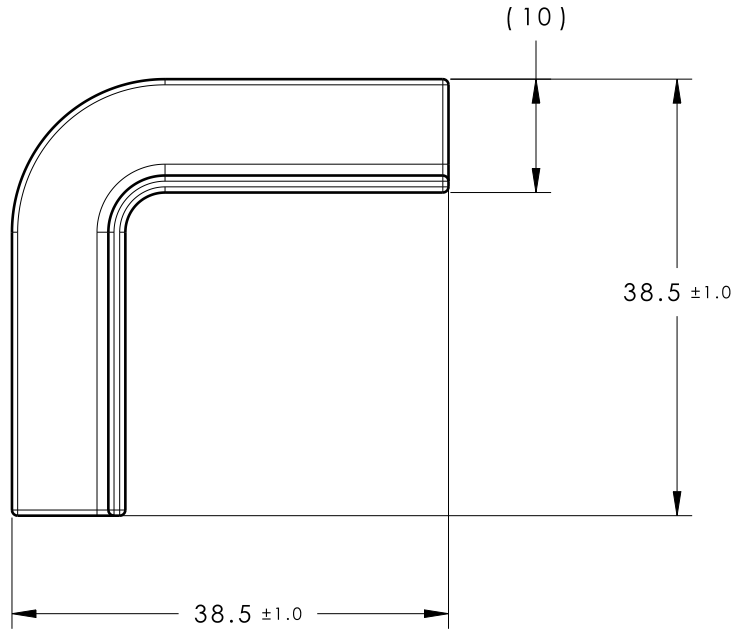


CATIA V5



Revision Level		Revision Record	Changed	Date	Approved	Date
Drawing	Part					
00	A	SEE ECN# 012535	CJR	12/30/13	SJA	01/02/14



ISOMETRIC VIEW

Material
PP20%TC
COLOR: BLACK

Units millimeters

Tolerance defined on each dimension

The copyright of this drawing is reserved by HellermannTyton. It is issued on condition that it is not reproduced, copied or disclosed to a third party, either wholly or in part, without the consent of HellermannTyton.

Drawn	CJR	10/17/13
Approved	SJA	10/17/13
HellermannTyton		
North America Email: corp@htamericas.com Web: www.hellermann.tyton.com		

Article/Type-No	90MINICHNL	Scale	3:2
Title	90 DEGREE MINI CHANNEL	Project Number	13-1052
Drawing-No	PRODUCTION : Phase	Format	AH
13-1052-001-CSU		Sheet	1/1