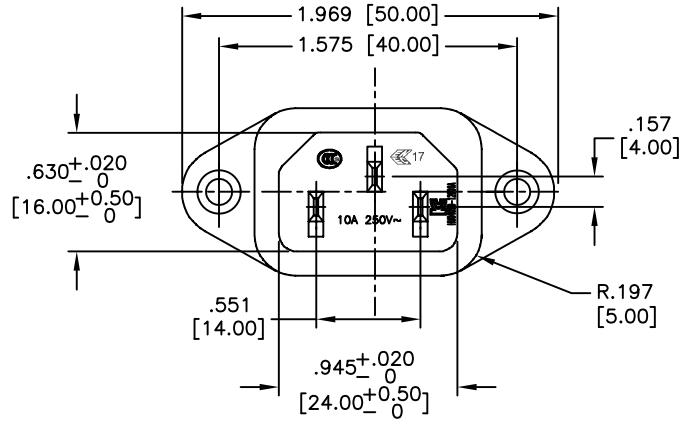
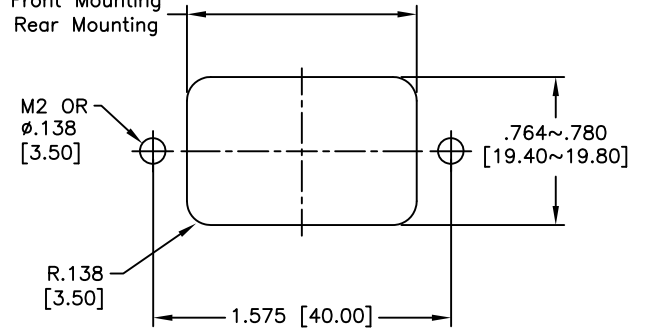


APPROVED: \_\_\_\_\_  
 DATE: \_\_\_\_\_ TITLE: \_\_\_\_\_

Rev	AWO #	Description	Date	Appr
-		RELEASED	6/16/05	
A		REDRAWN	12/13/13	AY/GC
B		REVISED TERMINAL OPTIONS P/N	7/17/14	AY
C		UPDATE PANEL CUT-OUT DIM.	11/4/15	AY/MW
D		UPDATE PANEL TERMINAL OPTIONS	7/7/20	AY/RC

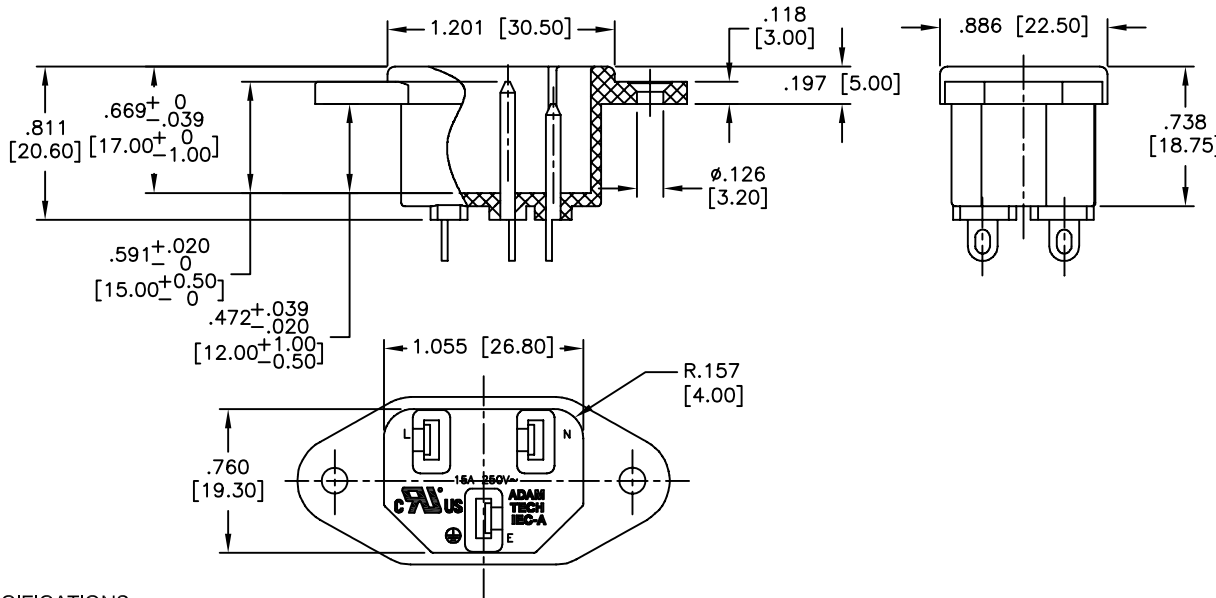


1.063 [27.00] Front Mounting  
 1.213 [30.80] Rear Mounting



FOR REAR MOUNTING USE  
 PANEL CUT-OUT

TERMINAL OPTIONS		
IEC-A-1	IEC-A-2	IEC-A-3
.187 Q.C.	.250 Q.C.	.157 Solder



**SPECIFICATIONS:**

Material:  
 Insulator: PBT, rated UL 94V-0  
 Insulator color: Black  
 Contact: Copper Alloy, Tin Plated  
 Electrical:

Rating: 15A @ 250V C-ULus  
 10A @ 250V ENEC & CCC

Insulation resistance: 100 Mohms min @ 500 VDC  
 Dielectric withstanding voltage: 3000 VAC for 1 minute

Environmental:  
 Lead free, RoHS compliant.



UNLESS OTHERWISE SPECIFIED  
 ALL DIMENSIONS ARE MM [INCHES]  
 TOLERANCES: EXCEPT AS NOTED  
 INCHES HOLES

.X ± .10	Ø.X ± .10
.XX ± .020	Ø.XX ± .015
.XXX ± .015	Ø.XXX ± .010

**ADAM  
 TECH  
 INTERCONNECTS**

909 Rahway Avenue,  
 Union, NJ 07083  
 Phone: 908-687-5000  
 Fax: 908-687-5710

APPROVALS		DATE
DRAWN	SS	6/16/05
CHECKED		
APPROVED		

TITLE IEC, C13 FEMALE, PANEL MOUNT FLANGED		
SIZE X	PART NO. IEC-A-X	REV. C
REF: S00087C	SCALE: NTS	SHEET 1 OF 1