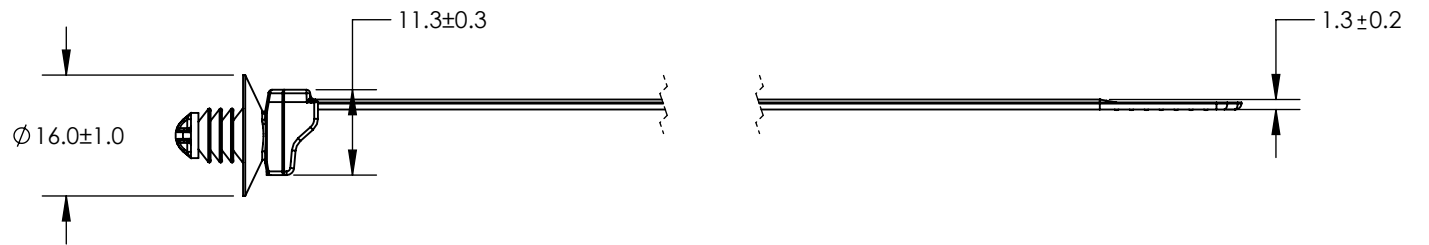
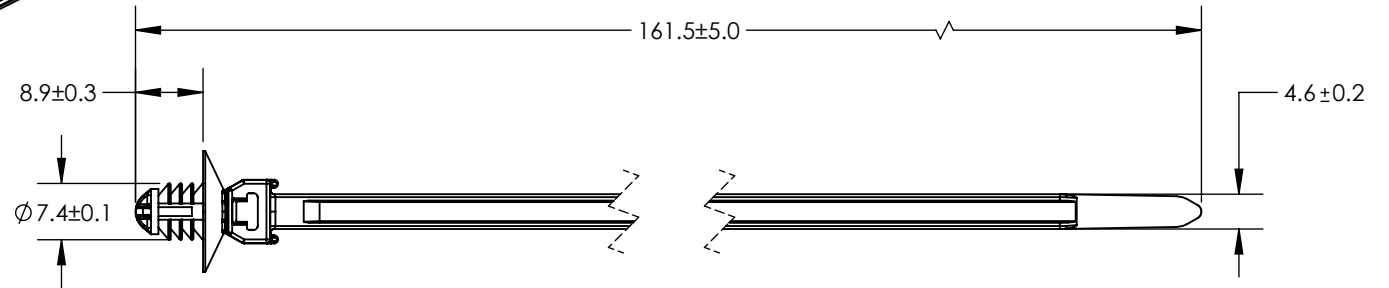
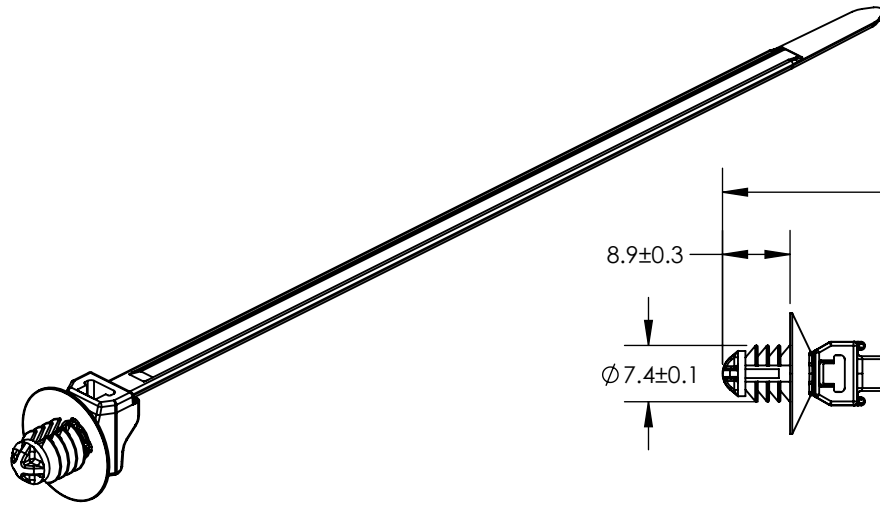


SW2015



Revision level			Revision Record	Changed	Date	Approved	Date
Drawing	State	Part					
02.1	Design Release	-	SEE ECN# 014251	GAL	1/8/2018	GGG	1/8/2018



REFERENCE:

PERFORMANCE REQUIREMENTS:

1. SHEET METAL THICKNESS RANGE: 0.60mm - 4.20mm
2. APPLICABLE HOLE SIZES:
  - A. 6.5mm +.5/- .2mm
3. CABLE TIE MIN. LOOP TENSILE STRENGTH: 225 NEWTONS (50 LBS) MIN
4. BUNDLE RANGE: 1.0mm TO 35.0mm
5. MAXIMUM PERCENT REGRIND PERMISSIBLE: 25%
6. MAX ALLOWABLE FLASH OR MISMATCH TO BE: 0.4mm

TYPE NUMBER	MATERIAL	COLOR
T50SOSFT6.5-E4	PA66HS	BLACK

Material <b>SEE CHART</b>	Units: <b>millimeters</b>	The copyright of this drawing is reserved by HellermannTyton. It is issued on condition that it is not reproduced, copied, or disclosed to a third party, either wholly or in part, without the consent of HellermannTyton.	Drawn	GAL	10/3/2017	Article/Type-No T50SOSFT6.5-E4	Scale	1:1	
	Dimension without tolerances details to: .XXX = ±.013 .XX = ±.13 .X = ±.3 None = ±.8 ∠ = ±0.5° Dimension Formatted mm/[in]		Approved	GGG	11/30/2016		Title <b>T50SOSFT6.5-E4 OUTSIDE SERRATED WITH 6.5mm FIR TREE</b>	Project Number PRP 16-1353	
	<p>North America Email: corp@htamericas.com Web: www.hellermann.tyton.com</p>			Drawing-No	Production : Phase		Format	AH	
				<b>16-1353-061-CSU</b>		Sheet	1/1		