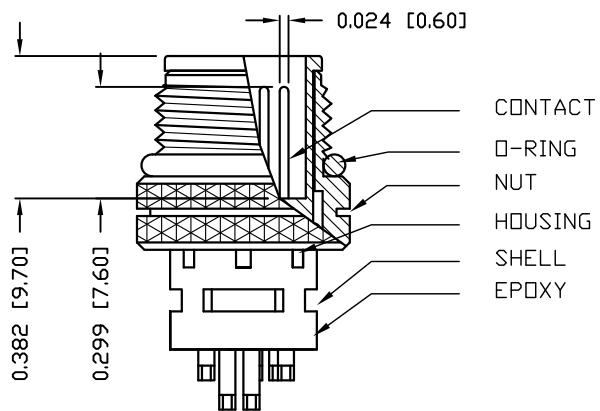


NOTE:

|                        |   |
|------------------------|---|
| MATERIAL               |   |
| HOUSING:               | PBT UL94V-0, BLACK  |
| CONTACT:               | BRASS   |
| NUT:                   | BRASS   |
| O-RING:                | EPDM  |
| SHELL:                 | BRASS   |
| FINISH                 |   |
| CONTACT:               | GOLD PLATED<br>OVER 50u" NICKEL<br>NICKEL PLATED<br>BRIGHT TIN PLATED |
| ELECTRICAL             |   |
| RATED CURRENT:         | 1.5A  |
| RATED VOLTAGE:         | 30V   |
| INSULATION RESISTANCE: | 100 MOhms MIN.  |
| CONTACT RESISTANCE:    | 10 mOhms MAX.   |
| WATER PROOF:           | IP67  |
| ENVIRONMENT            |   |
| OPERATION TEMPERATURE: | -40°C TO +85°C  |
| MAX WIRE AWG:          | 26  |



3 = BRASS/TIN (B/T) SHELL & BRASS/NICKEL NUT  
 S = STAINLESS STEEL (SS) SHELL & NUT  
 T = B/T SHELL / SS NUT

858-012-103RLSY

1 = GOLD FLASH  
 4 = 10u" GOLD

RoHS COMPLIANT

UNITS = INCHES [MM]

DO NOT SCALE FROM DRAWING



THESE DRAWINGS AND SPECIFICATIONS ARE THE PROPERTY OF NorComp AND SHALL NOT BE REPRODUCED, COPIED OR USED AS THE BASIS FOR THE MANUFACTURE OR SALE OF APPARATUS WITHOUT WRITTEN PERMISSION.

DRAWN: M. SIGMON

DATE: 04-19-16

NorComp

SCALE: NTS

SHEET 1 OF 1

REV 3

DWG NO. 858-012-103RLSY