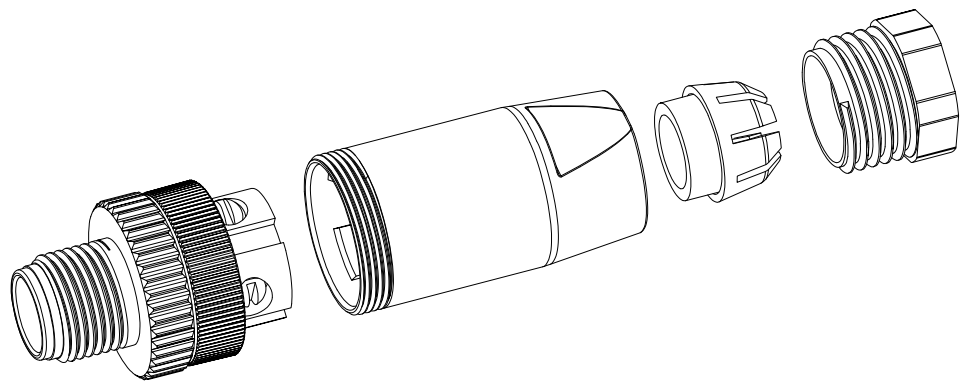
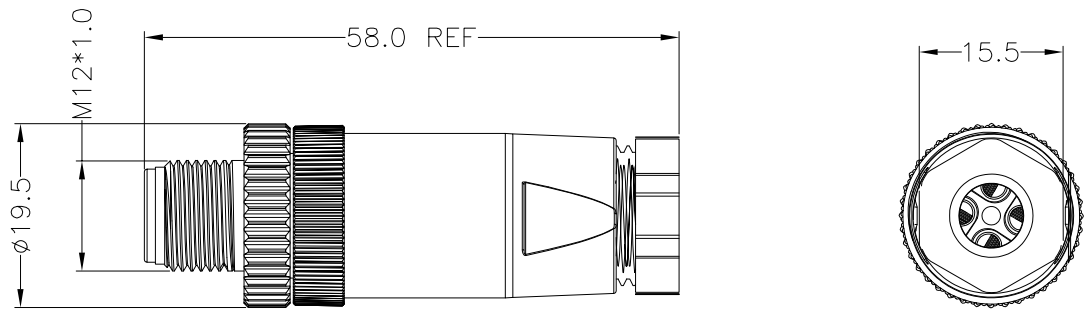


DESCRIPTION: M12 // FIELD INSTALLABLE // MALE // UNSHIELDED // 6-8mm CABLE OD



MALE

A04	A05	A08	D04	B05

NOTE:

MATERIAL	
M12 INSULATOR	PA66, UL94V-0, BLACK
CABLE NUT/GROMMET/SHELL	PA66, UL94V-0, BLACK
CONTACT	GOLD FLASH PLATED BRASS
MATING NUT	NICKEL PLATED BRASS
ELECTRICAL	
RATED CURRENT	2A(8P) / 4A(4/5P)
VOLTAGE	30V(8P) / 60V(5P) / 250V(4P)
INSULATOR RESISTANCE	100 MOhms MIN.
CONTACT RESISTANCE	10 mOhms MAX.
MATING CYCLES	100 CYCLES MIN
ENVIRONMENT	
OPERATION TEMPERATURE	-40°C TO +85°C
IP RATING	IP66
RECOMMENDED TORQUE	0.4Nm TO 0.8Nm

SERIES 858F YYY-103RBU1

CONTACT ARRANGEMENT YYY

GENDER 1

CABLE OD B

CONTACT PLATING 1

858F = M12 FIELD INSTALLABLE
 YYY = CONTACT ARRANGEMENT
 1 = GENDER
 B = CABLE OD
 1 = CONTACT PLATING

RoHS COMPLIANT



THESE DRAWINGS AND SPECIFICATIONS ARE THE PROPERTY OF NorComp AND SHALL NOT BE REPRODUCED, COPIED OR USED AS THE BASIS FOR THE MANUFACTURE OR SALE OF APPARATUS WITHOUT WRITTEN PERMISSION.

DRAWN: J. KADEL
 DATE: 02/04/2022

UNITS = mm

DO NOT SCALE FROM DRAWING



SCALE: NTS	SHEET 1 OF 1	REV 2
DWG NO. 858FYYY-103RBU1		